



INTELLIGENT
BIOLOGY™

TRI POLLAR

USER MANUAL

ENGLISH

中文简体

STOP MIRACLE

YOUNG

ENGLISH

**CONGRATULATIONS ON PURCHASING
YOUR TRIPOLLAR STOP MIRACLE YOUNG DEVICE!**

This user manual describes the TriPollar STOP MIRACLE YOUNG device and how to use it.

Supplementary information to be found at:
www.tripollar.com | cn.pollogen.com

TABLE OF CONTENTS

| | |
|--|-----------|
| ABOUT TRIPOLLAR RF TECHNOLOGY | 9 |
| TRIPOLLAR STOP MIRACLE YOUNG KIT INCLUDES | 9 |
| OVERVIEW OF THE TRIPOLLAR STOP MIRACLE YOUNG DEVICE | 10 |
| TREATMENT PROCEDURE | 11 |
| TROUBLESHOOTING | 13 |
| TECHNICAL SPECIFICATIONS | 14 |
| WARRANTY AND CUSTOMER SUPPORT | 15 |
| APPENDIX | 17 |

IMPORTANT NOTICE

© Pollogen Ltd. All rights reserved.

Design and technical specifications are subject to change without prior notice. Manufactured by Pollogen Ltd. Patented technology.

The names Pollogen, TriPollar are registered trademarks of Pollogen Ltd.

All intellectual property rights in this publication are owned by Pollogen Ltd. and protected by applicable copyright laws and international treaty provisions. Pollogen Ltd. retains all rights not expressly granted. No part of this publication may be reproduced in any form whatsoever or used to make any derivative work without prior written approval by Pollogen Ltd.

All other trademarks are the property of their respective owners. Other company and brand products and service names are trademarks or registered trademarks of their respective holders.

SAFETY

Important: Please read the full text of the user manual carefully prior to use of the product. Always adhere to all warnings and cautions. Be sure to follow all safety precautions below when using the TriPollar STOP MIRACLE YOUNG product.

To learn more about TriPollar RF technology, visit our website at:

www.tripollar.com | cn.pollogen.com.

- Only use this device for its intended purpose, as described in this manual and correctly use this device by strictly following the instructions of use. Failure to follow the instructions in this manual may cause damage or burns to your skin.
- Do not use the device over eyelids, closed eyes, thyroid area, lips, ears, breasts or genital areas.

- The sensation while using the device should be warm and pleasant. If you experience discomfort, discontinue use immediately.
- The use of this product may cause discomfort or adverse effects on people with allergic constitution, people with skin diseases and allergic dermatitis, people with sensitive skin, etc.
If adverse effects occur during use, you should stop using this appliance immediately.
- In case the device or the power supply generates excessive heat disconnect power supply from the electrical outlet & consult service.
- TriPollar STOP MIRACLE YOUNG is an electrical device that must be used properly.
To reduce the risk of injury from electric shock, adhere to all warnings and cautions below:

 **WARNINGS:**

- Do not touch the device should it fall into water.
- Do not place or store the device near any source of water, such as a sink or bathtub.
- Do not submerge the device under water.
- When plugged in, do not leave the device unattended.
- Before use, ensure that the system and its USB cord do not show any visible damage. Do not operate if the electric cord is damaged or if the system is disassembled.
- Only use the device with the electric cord provided.
- Keep the device out of the reach of children.
- Be sure that your hands are completely dry when operating the device.
- Turn the device OFF after use or before cleaning and maintenance.

CAUTIONS

- Use the device for personal use only.
- Use TriPollar Preparation Balm during treatment according to its instructions for use.
- Do not use TriPollar Preparation Balm after its expiration date.

DO NOT USE THE DEVICE IF ANY OF THE FOLLOWING APPLY TO YOU:

- Are under 18 years of age.
- Have a pacemaker or internal defibrillator.
- Have metal implants in the treatment area, such as gold threads. This does not apply to dental fillings or implants, which present no problem.
- Currently have cancer or a history of cancer, especially skin cancer or premalignant moles.
- Have severe concurrent conditions, such as cardiac disorders.
- Are pregnant or nursing.
- Have an impaired immune system due to immunosuppressive diseases such as AIDS, or are using immunosuppressive medications.
- Have any disease that is stimulated by heat, such as recurrent Herpes Simplex (within the treatment area).
- Have any active skin condition within the treatment area, such as sores, psoriasis, eczema or a rash.
- Have a history of keloid scarring, abnormal wound healing or fragile skin.
- Have had any surgical procedure, laser resurfacing or deep chemical peeling within the treatment area within the past three months or are still undergoing a process to complete healing.
- Have permanent fillers within the treatment area. If you have temporary dermal fillers within the treatment area, consult your physician before using the device.
- Have had Botox administered in the treatment area within the past three months.

- Have suspicious lesions within the treatment area.
- Currently use medications, herbal preparations, vitamins or food supplements that may cause fragile or dry skin.

POSSIBLE SIDE EFFECTS

The following side effects are rare. However, should they occur, they are usually temporary. If any of the following conditions appear and last more than 24 hours, consult your physician:

- Pain
- Damage to natural skin texture (crusting, blistering, burns, fragile skin, bruising)
- Mild headache

For other aesthetic procedures or should you have any uncertainty regarding potential side effects, consult your physician before using the device.

ABOUT TRIPOLLAR MULTI-RF TECHNOLOGY

TriPollar MULTI-RF technology delivers safe and effective skin renewal and tightening. TriPollar home use devices bring professional level aesthetic results from the professional clinic to the comfort of your home. TriPollar treatments produces real, noticeable immediate and long-lasting results. TriPollar home use devices focuses four low power beams deep into the skin to stimulate dermal activity, increasing and accelerating the natural production of collagen (the protein that is responsible for our skins' supple texture). The increase in the skin's collagen results in tighter and suppler skin.

THE TRIPOLLAR STOP MIRACLE YOUNG INTENDED USE IS AS FOLLOWS:

The TriPollar STOP MIRACLE YOUNG system is intended for non-invasive skin rejuvenation at home for delicate facial areas, specifically indicated for skin tightening in the Periorbital, Perioral and Nasolabial folds.

TRIPOLLAR STOP MIRACLE YOUNG KIT INCLUDES

1. TRIPOLLAR STOP MIRACLE YOUNG DEVICE (FIG.1)
2. TRIPOLLAR STOP MIRACLE YOUNG USB CHARGING CORD (FIG.2)
3. TRIPOLLAR PREPARATION BALM (FIG.3)
Note: After the container has been opened, the gel can be used for up to 24 months.
4. TRIPOLLAR STOP MIRACLE YOUNG USER MANUAL AND WARRANTY POLICY (FIG.4)
5. TRIPOLLAR STOP MIRACLE YOUNG QUICK START GUIDE (FIG.4)

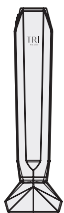


FIG.1

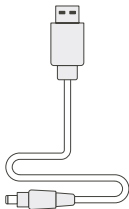


FIG.2



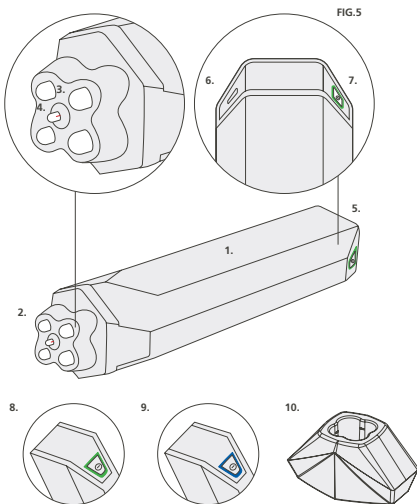
FIG.3



FIG.4

OVERVIEW OF THE TRIPOLLAR STOP MIRACLE YOUNG DEVICE

- | | |
|-----------------------|------------------------------------|
| 1. DEVICE BODY | 7. ON/OFF BUTTON AND INDICATOR LED |
| 2. TREATMENT HEAD | 8. GREEN INDICATOR LED |
| 3. ELECTRODE | 9. BLUE INDICATOR LED |
| 4. TEMPERATURE SENSOR | 10. PROTECTIVE COVER |
| 5. CONTROL PANEL | |
| 6. USB CONNECTION | |



THE INDICATOR LEDS ON THE TRIPOLLAR STOP MIRACLE YOUNG DEVICE WORK AS FOLLOWS:

Green indicator LED:

- Indicates that the device is ON and ready for treatment.
- Slow blinking - low battery, approximately 5 minutes remaining.
- Fast blinking - battery soon to be depleted, approximately 2 minutes remaining.

BLUE indicator LED:

- Blinking- battery charging.
- Steady- battery is fully charged.

TREATMENT PROCEDURE

COURSE OF TREATMENT

1. Treatment duration is approximately 4 minutes per area.
2. For optimal results, use your TriPollar STOP MIRACLE YOUNG device 2-3 times a week for a period of 6-8 weeks.
3. Make sure you have at least one day interval between treatments.
4. In order to maintain long term results after you have finished the full course of treatments, it is recommended that you use your TriPollar STOP MIRACLE YOUNG device 2-4 times a month or as needed.

TREATMENT PROCEDURE

1. Charge the device so that its battery is fully charged and its LED indicator is steady blue.
2. Cleanse and dry the treatment area.
3. TriPollar Preparation Balm must be used throughout treatment. Spread an even layer over the entire treatment area. In case you feel that the balm has been absorbed during the treatment, spread an additional layer of TriPollar Preparation Balm.
4. Remove the protective cover from the device. Turn TriPollar STOP MIRACLE YOUNG ON by short pressing the Power Button (FIG.6). Make sure the green indicator LED appears and the Micro Massaging effect is felt.



FIG.6



FIG.7

5. Place the device on your skin ensuring that all 4 electrodes are touching the skin.
6. Start moving the device in slow and circular motions (at a speed of about 2-4 cm/s) inside the shaded treatment area (FIG.7). You will feel pleasant warming & Micro Massaging. Make sure there is a full contact of the electrodes with the skin during treatment. Treat each area for 4 minutes.

IMPORTANT: be sure to keep the device constantly moving on your skin. Do not leave the device on one place without movement, as skin overheating may occur.

POST TREATMENT

1. Turn the device OFF by pressing the power button for two seconds.
2. Gently remove the TriPollar Preparation Balm from the skin.
3. Clean the TriPollar STOP MIRACLE YOUNG device with a soft, damp cloth or paper towel and cover it with its protective cover. Do not submerge the TriPollar STOP MIRACLE YOUNG under water!

IMPORTANT: It is required to perform a patch test 3 days prior to initial use. Apply a small amount of TriPollar Preparation Balm on the inner arm and treat the area with TriPollar STOP MIRACLE YOUNG device. Ensure that the skin does not have a negative reaction to the gel or treatment.

INDICATIONS OF SUCCESSFUL TREATMENT

As a natural result of the treatment, the skin may show some redness (erythema) and minor skin swelling (edema) in the treatment area. Both should disappear after a short time.

SAFETY MECHANISM

The device's automatic temperature-optimization mechanism protects the skin from overheating. When the skin has reached the maximal temperature, the energy source will shut down automatically.

The device automatically turns the energy source back ON, when the skin temperature drops below the maximal temperature.

TROUBLESHOOTING

In the event that your TriPollar STOP MIRACLE YOUNG device is not working, prior to contacting the service center, take the following precautions:

1. Make sure you have removed the device's protective cover before use.
2. Make sure the device's battery is charged.
3. Make sure power button was pressed and the green indicator LED appears.
4. Make sure you have applied the TriPollar Preparation Balm according to the instructions. TriPollar STOP MIRACLE YOUNG will not work properly if TriPollar Preparation Balm is not applied.

TECHNICAL SPECIFICATIONS

Technical Specifications

| | |
|--|--------------------------|
| Weight: | 60gr |
| Physical Dimensions: | H=131mm L=26mm W=26mm |
| TriPollar RF Alternating Frequencies: | 0.9 MHz / 1.1 MHz |

Operating conditions

| | |
|--------------|---------------|
| Temperature: | +5°C to +30°C |
| Humidity: | 20RH to 80RH |
| Rating: | DC 5V 2A |

Charging

When battery is fully charged (after approximately 3 hours), the LED indicator will emit a steady blue.

Transport and Storage

| | |
|--------------|--------------|
| Temperature: | 0°C to 40°C |
| Humidity: | 10RH to 90RH |

WARRANTY AND CUSTOMER SUPPORT

WARRENTY TERMS

This product has been subjected to strict quality control performed by the manufacturer. For this reason, the distributor in your country guarantees proper function of your product for 24 months from date of actual purchase. If you use the device properly, follow all instructions outlined in the user manual, you can enjoy the product to your ultimate satisfaction. This policy warrants the support that the distributor provides for the device, should it happen that failures attributable to manufacturing defects be found. In such case, you shall be entitled to make full use of the benefits of this warranty. This implies the reason and replacement of parts, free of charge (regarding both service and parts) at any Authorized Service Center. Within its validity term, you are entitled to make use of the warranty if necessary to have a fully enjoyable product, provided the above-indicated conditions are fully met. This warranty is valid for the device marketed by the distributor in your country.

The warranty is not valid when:

1. Amendments in the warranty policy, sales receipt or invoice, or the absence of any of these original documents.
2. Damage or deterioration of the device due to improper use or if the device has been modified or repaired by an unauthorized third party.
3. Damage of the product due to defects incurred during transportation, such as bumps, bangs or improper handling.
4. Damage due to humidity or any kind of liquids, foreign bodies inside the device or the use of unapproved, unadvised accessories with the device contradictory to the user manual.

5. When the device is not used in accordance with the respective user manual or with its supplied accessories.
6. Partial or total damage or loss of the device, due to natural disasters (such as earthquakes, floods, fire, lightening, etc.), force majeure or accident.
7. Damage to the device after being subjected to high dust environments, humidity or application of excessive voltage from the power inlet.
8. If the product's serial number has been amended or erased.
9. To cosmetic damage, including but not limited to scratches and dents.

CUSTOMER SUPPORT

For service, please refer to the store where you purchased the TriPollar STOP MIRACLE YOUNG or visit our website for a store locator:
www.tripollar.com | cn.pollogen.com

When reporting to local service center, please have the device serial number ready. The serial number can be found on the top panel of the device.
Customer satisfaction is our top priority. To help us provide you with the best support possible, please send us your comments and suggestions. Contact details can be found on the back cover of this user manual or via our website at: www.tripollar.com | cn.pollogen.com

APPENDIX

HAZARDOUS MATERIAL DECLARATION

TABLE 4 IS IN ACCORDANCE WITH THE PROVISIONS OF SJ/T 11364

| Part Name | Hazardous Substances | | | | | |
|------------|----------------------|----|----|------------------|-----|------|
| | PB | HG | CD | CR ⁶⁺ | PBB | PBDE |
| DIODE | X | • | • | • | • | • |
| MOSFET | X | • | • | • | • | • |
| UK AC PIN | X | • | • | • | • | • |
| EU AC PIN | X | • | • | • | • | • |
| THERMISTOR | X | • | • | • | • | • |
| OTHER | • | • | • | • | • | • |

This table is prepared in accordance with the provisions of SJ/T 11364

- Indicates that said hazardous substance contained in all of the homogeneous materials for this part is below the limit requirement of GB/T 26572
- X Indicates that said hazardous substance contained in at least one of the homogeneous materials used for this part may be above the limit requirement of GB/T 26572

The restricted materials are used in accordance with manufacturing needs. It has no impact on device safety, and not harmful to users. The declaration is to remind end users that the device need to be disposed reasonably and environment friendly.

中文简体

恭喜您购买TriPollar STOP MIRACLE YOUNG仪器！

本说明书介绍了TriPollar STOP MIRACLE YOUNG仪器及其使用方法。

补充资料详见：

www.tripollar.com | cn.pollogen.com

目录

| | |
|----------------------------------|----|
| 关于TRIPOLLAR技术 | 23 |
| TRIPOLLAR STOP MIRACLE YOUNG包装内含 | 23 |
| TRIPOLLAR STOP MIRACLE YOUNG仪器简介 | 23 |
| 使用程序 | 25 |
| 常见问题 | 27 |
| 技术规格 | 27 |
| 保修与客户服务 | 28 |
| 附录 | 30 |

重要公告

Pollogen Ltd. 版权所有，保留所有权利。

设计与技术规格若有更改，恕不另行通知。制造商为 Pollogen Ltd.。

应用专利技术。

Pollogen 与 TriPollar 均为 Pollogen Ltd. 的注册商标。

本说明书中所有知识产权均为 Pollogen Ltd. 所有，并受到适用的版权法、国际条约规定的保护。Pollogen Ltd. 保留所有未明确授予的权利。未经 Pollogen Ltd. 事先书面批准，禁止以任何形式复制本说明书中的任何部分，或将本说明书中的任何内容用于制作衍生品。

其他所有商标均为其各自所有者的财产。其他公司与品牌产品及服务名称均为其各自持有人的商标或注册商标。

安全注意事项

重要提示：在使用本产品之前，请仔细阅读用户手册全部内容，始终遵守所有警告和注意事项。使用 TriPollar STOP MIRACLE YOUNG 产品时，请务必遵守以下所有安全预防措施。欲了解更多有关 TriPollar 射频技术的信息，请访问网站：www.tripollar.com | cn.pollogen.com

- **仅按照本手册规定的用途使用本设备，并严格按照使用说明正确使用本设备。** 如不遵守本手册的说明进行操作，可能会损坏或灼伤皮肤。
- 请勿在眼睑、闭眼区域、甲状腺皮肤、嘴唇、耳朵、乳房或生殖器部位使用设备。
- 使用时的感觉应该是暖和舒适的。如感到不适，请立即停止使用。
- 具有过敏体质、皮肤病或过敏性皮炎的患者、皮肤敏感者等，在使用本产品时可能会引起不适或不良反应。如在使用过程中出现不良反应，应立即停止使用本品。
- 如设备或电源过热，请从电源插座上断开电源并咨询服务中心。

- 必须正确使用TriPollar STOP MIRACLE YOUNG 仪器。
为了降低触电受伤的风险，请遵守以下所有警告和注意事项：

⚠ 警告

- 设备如落入水中，请勿触摸。
- 请勿将设备放置或存放在水池或浴缸等水源附近。
- 请勿将设备浸入水中。
- 插入电源后，请勿让设备无人看管。
- 使用前，请确保设备及其 USB 线没有明显损坏。如电线损坏或设备被拆卸，请勿操作。
- 仅使用设备随附的电线。
- 将设备置于少儿不宜接触的地方。
- 操作设备时，请确保双手完全干燥。
- 使用后或清洗维护前，请关闭设备。

注意事项

- 本设备仅供个人使用。
- 在护理期间应根据使用说明使用 TriPollar Preparation Balm (润肤霜)。
- TriPollar 润肤霜如已过期，请勿使用。

如果下列任何一条适用于您，请勿使用此仪器：

- 十八岁以下
- 有心脏起搏器或内部除颤器
- 使用范围内有金属植入物（如金线），不包括牙齿填充物或植入物
- 现时或曾患有癌症，特别是皮肤癌或癌前痣
- 严重的并发条件如心脏病
- 怀孕或哺乳
- 因免疫抑制性疾病而引起的免疫系统受损，如艾滋病或正在服用免疫抑制药物
- 任何因热力刺激的疾病，如复发性单纯疱疹病毒（在使用范围内）
- 在使用范围内有任何皮肤疾病，如皮肤有伤口、牛皮癣、湿疹、皮疹
- 曾患有瘢痕、异常的伤口愈合或脆弱肌肤
- 任何手术，如在使用范围3个月内有进行激光换皮、化学脱皮，或伤口正在愈合等

- 使用范围曾置入整形用永久填充物。如使用范围内曾植入暂时性填充剂，请先咨询医生的意见
- 在使用范围3个月内植入了肉毒杆菌
- 在使用范围内存在可疑病变
- 现时使用的药物、草药制剂、维生素或食物补充剂会导致皮肤脆弱或干燥

可能出现的副作用

以下的副作用是罕见的，如真的发生，通常都是暂时性的。不过，如出现任何下列副作用持续超过24小时，请向您的医生咨询。

- 疼痛
- 皮肤损伤（结痂、水泡、烧伤、皮肤脆弱、瘀伤）
- 轻微头痛

如对所有潜在的副作用有怀疑，请在使用仪器前先咨询您的医生。

关于TRIPOLLAR MULTI-RF技术

TRIPOLLAR MULTI-RF®技术能实现安全有效的皮肤焕新与紧致。TriPollar家用仪器让您在家即可享受到专业诊所的专业级美容效果与舒适。TriPollar护理能带来真实、可见、即时及持续的成效。TriPollar家用仪器集中利用4组射频深入肌肤，能刺激真皮活动，提高及加快胶原蛋白新生（令肌肤保持水嫩质感的蛋白质）。胶原蛋白增加能令肌肤保持紧致及水嫩。

TriPollar STOP MIRACLE YOUNG的预期用途如下所示：
TriPollar STOP MIRACLE YOUNG 是一款非侵入型的家用美容仪，适用于面部精细部位的肌肤修复，特别是提升眶周、口周和鼻唇沟部位的肌肤的紧致度。

TRIPOLLAR STOP MIRACLE YOUNG包装内含

1. TRIPOLLAR STOP MIRACLE YOUNG仪器（图1）
2. TRIPOLLAR STOP MIRACLE YOUNG的USB充电线（图2）
3. TRIPOLLAR 凝露耦合剂（图3）
包装打开后，凝露需在24个月内用完。
4. TRIPOLLAR STOP MIRACLE YOUNG说明书与保修规则（图4）
5. TRIPOLLAR STOP MIRACLE YOUNG快速入门指南（图4）

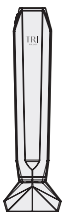


图1

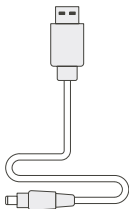


图2



图3

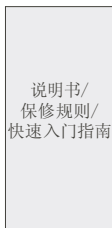
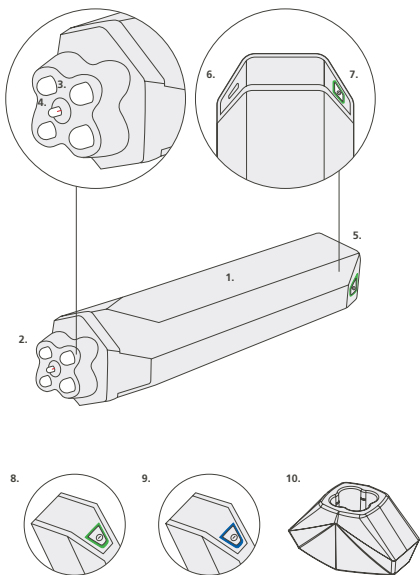


图4

TRIPOLLAR STOP MIRACLE YOUNG仪器简介

- | | |
|----------|------------|
| 1. 仪器主体 | 6. USB接口 |
| 2. 工作端口 | 7. 开关键与指示灯 |
| 3. 磁头 | 8. 绿色指示灯 |
| 4. 温度传感器 | 9. 蓝色指示灯 |
| 5. 控制面板 | 10. 保护盖 |

图5



TRIPOLLAR STOP MIRACLE YOUNG仪器的指示灯工作如下所示:

绿色指示灯:

- 表明仪器处于开启状态, 可以使用
- 慢闪—电量不足, 剩余5分钟
- 快闪—电量即将耗尽, 剩余2分钟

蓝色指示灯:

- 闪烁—充电中
- 长亮—充满电

使用程序

护理须知

1. 每个区域大约使用4分钟。
2. 为了获得理想的效果，请连续使用TriPollar STOP MIRACLE YOUNG 仪器6-8周 每周2-3次。
3. 确保最多每两天进行护理一次。
4. 完成整个护理后，建议每月使用TriPollar STOP MIRACLE YOUNG 仪器2-4次或于 要时使用，以保持长效的护理效果。

护理步骤

1. 将仪器充满电，至蓝色指示灯长亮。
2. 清洁并擦干护理的区域。
3. 必须在整个护理过程中使用 TriPollar 润肤霜。
在整个护理区域均匀 抹一层。在护理过程中如感觉润肤霜已被吸收，可以再涂抹一层 TriPollar 润肤霜。
4. 取下仪器的保护盖，按下电源钮（图6）开启仪器，确保绿色指示灯亮起 感觉到微按摩效果。

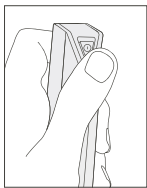


图6



图7

5. 将设备置于皮肤上，确保 4 个电极都接触到皮肤。
6. 开始在阴影护理区内以圆周运动（速度约为 2-4 cm/s）缓慢移动设备（图 7）。

您会感到暖和舒适，轻微的按摩感。
在护理过程中，请确保电极与皮肤充分接触。
每个区域护理 4 分钟。

重要：确保在皮肤上不停地移动仪器，切勿把仪器停留在一个地方长时间不移动，以避免皮肤过热。

用后处理

1. 按下电源钮2秒钟关闭仪器。
2. 清洁皮肤上留有凝露的地方。
3. 用微湿毛巾把TriPollar STOP MIRACLE YOUNG仪器彻底清洁, 重新回保护底座 在任何时候切勿将仪器浸泡到水中。

重要提示: 在首次使用前 3 天, 必须进行皮肤过敏试验。在内臂上涂抹少量 TriPollar 润肤霜, 并在该区域使用 TriPollar STOP MIRACLE YOUNG 设备进行护理。确保皮肤对凝胶或护理没有不良反应。

护理指征

一般护理后, 护理范围的皮肤有可能会发红(红斑)、轻微肿胀(水肿), 两种症状都应在短时间内褪去。

安全机制

仪器的自动温度优化机制可防止 皮肤被过度加热。
当皮肤达到最高使用温度时, 能量源会自动关闭。
当皮肤温度下降至低于最高使用温度时, 仪器将自动重新打开能量源。

常见问题

如果您的TriPollar STOP MIRACLE YOUNG仪器不能操作, 请于联系服务中心前, 采取以下措施:

1. 确保已拿走仪器上的保护盖。
2. 确保仪器已充电。
3. 请确认已按下电源按钮, 绿色指示灯也已亮起。
4. 确保已根据使用说明涂上了凝露, 如不使用凝露, TriPollar STOP MIRACLE YOUNG仪器将不能正常使用。

技术规格

| | |
|------------------------------|--------------------------|
| 重量: | 60克 |
| 尺寸: | 高=131毫米 长=26毫米 宽=26毫米 |
| Alternating Frequencies交流频率: | 0.9 MHz /1.1 MHz |

运作条件

| | |
|-------|-----------|
| 温度: | +5度至+30度 |
| 湿度: | 相对湿度20至80 |
| 额定功率: | 直流 5V 2A |

充电

当电池充满电后(约3小时), LED指示灯将持续保持蓝色。

运送与储存

| | |
|-----|-----------|
| 温度: | 0度至40度 |
| 湿度: | 相对湿度10至90 |

保修与客户服务

本产品经过制造商的严格质量控制。因此，您所在国家/地区的分销商可保

证您的产品在实际购买之日起 24 个月内正常运行。

请正确使用本仪器，

按照说明书中列出的所有说明操作，您可以尽情享受本产品。

如果发现因制造缺陷而导致的故障，此保修条款保证经销商为仪器提供支持。在这种情况下，您有权充分利用本保修给您带来的优势。这意味着在任

何授权的服务中心免费更换部件（涉及服务和部件）。

在其 日有效期内，

您有权根据需要使 用本保修条款，获取完全满意的产品，前提是符合上述条件。本保修对分销商在您所在国家/地区销售的仪器有效。

在以下情况下，保修无效：

1. 对保修政策、销售收据或发票进行了修改，或者没有任何原始文件。
2. 由于使用不当或由未经授权的第三方修改或维修仪器而导致仪器损坏或老化。
3. 由于运输过程中存在缺陷（如碰撞、重击或不当操作）而导致产品损坏。
4. 由于潮湿或任何类型的液体、仪器内部异物或仪器使用与说明书不相符、未经认可且不建议使用的附件而造成损坏。
5. 未按照相应的说明书使用仪器或随附附件。
6. 由于自然灾害（如地震、洪水、火灾、雷电等）、不可抗力或事故，仪器部分或全部损坏或丢失。
7. 在多尘环境、湿度较高的环境中使用或电源插座施加过大电压后，仪器损坏。
8. 产品序列号已修改或擦除。
9. 外观损坏，包括但不限于划痕和凹痕。

客户服务

如需服务，请咨询您购买TriPollar STOP MIRACLE YOUNG的商店或访问我们的网站：

www.tripollar.com | cn.pollogen.com

当到服务中心查询时，请准备好仪器的产品序号，序号可在仪器的顶部面板上找到。令客户满意是我们的首要任务，为了能提供最优质的服务，请告诉我们您的意见和建议。联系资料可于本用户手册的封底里找到或通过我们的网站：

www.tripollar.com | cn.pollogen.com

附录

限用物质说明

| 部件名称 | 限用物质 | | | | | |
|---------|------|---|---|-----|------|-------|
| | 铅 | 汞 | 镉 | 六价铬 | 多溴联苯 | 多溴二苯醚 |
| 二极管 | X | • | • | • | • | • |
| 晶体管 | X | • | • | • | • | • |
| 英规AC插头座 | X | • | • | • | • | • |
| 欧规AC插头座 | X | • | • | • | • | • |
| 温度传感器 | X | • | • | • | • | • |
| 其它 | • | • | • | • | • | • |

本表依据SJ/T 11364的规定编制。


- 表示该限用物质在该部件所有均质材质中的含量均在GB/T 26572规定的限量要求以下。
- × 表示该限用物质至少在该部件的某一均质材料中的含量超出GB/T 26572规定的限量要求。

在生产过程中，因制造需求而应用的限用物质，不会影响美容仪的安全性，也不会给使用者带来负面影响。此处标注限用物质声明，以便废弃美容仪时合理处置而不影响环境。



STOP MIRACLE

YOUNG

 POLLOGEN LTD.

6 KAUFMAN ST.

GIBOR HOUSE P.O.BOX 50320

TEL AVIV 6801298, ISRAEL


TEL: +972(0)3 5104110

FAX: +972(0)3 5174112


EMAIL: INFO@POLLOGEN.COM

Device:

 Obelis S.A,
Boulevard Général Wahis 53
B-1030 Brussels, Belgium
Tel. +32 (0) 2 732 5954
Fax. +32 (0) 2 732 6003
E-mail. mail@obelis.net

 Obelis UK Ltd
Sandford Gate, Oxford
OX4 6LB, UK
Tel: +32 (0) 2 732 5954
Fax. +32 (0) 2 732 6003
Email: mail@obelis.net

TriPollar Preparation Balm:

 IK CTEC
Engures 5, Jurmala,
LV-2016, Latvia
Tel. +371(0)2 9993414
E-mail. office@ctec.lv



© POLLOGEN LTD., ALL RIGHTS RESERVED.

DESIGN AND TECHNICAL SPECIFICATION ARE SUBJECT TO
CHANGE WITHOUT PRIOR NOTICE.

MANUFACTURED BY POLLOGEN LTD.

PATENTED ISRAELI TECHNOLOGY, MADE IN CHINA.

THE NAMES POLLOGEN, TRIPOLLAR AND STOP ARE REGISTERED
TRADEMARKS OF POLLOGEN LTD.

FOR MORE INFORMATION, PLEASE VISIT: WWW.TRIPOLLAR.COM

P/N 14700209 REV 01