



T&S BRASS AND BRONZE WORKS, INC.
 2 Saddleback Cove / P.O. Box 1088
 Travelers Rest, SC 29690

Model No.
EX-2DF10

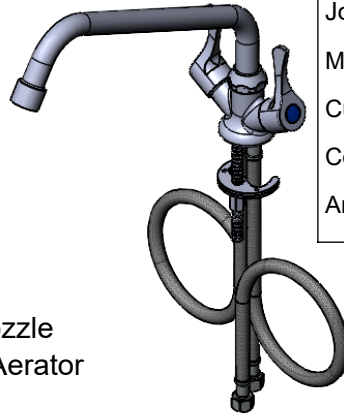
Item No.

Travelers Rest, SC: 800-476-4103 • Simi Valley, CA: 800-423-0150 • Fax: 864-834-3518 • www.tsbrass.com

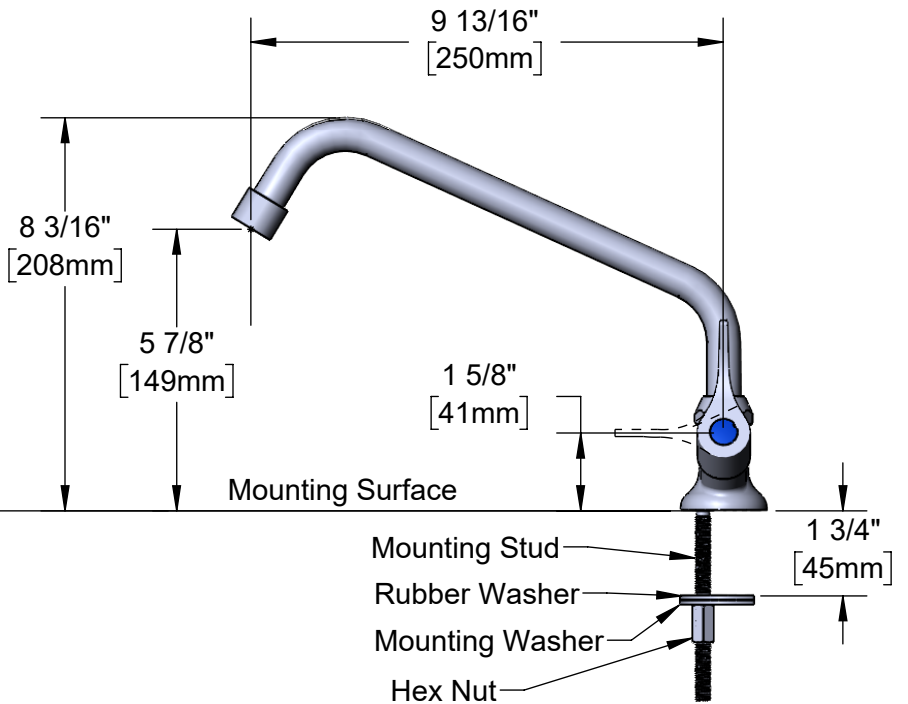
This Space for Architect/Engineer Approval

Job Name _____ Date _____
 Model Specified _____ Quantity _____
 Customer/Wholesaler _____
 Contractor _____
 Architect/Engineer _____

4 3/8"
 [111mm]

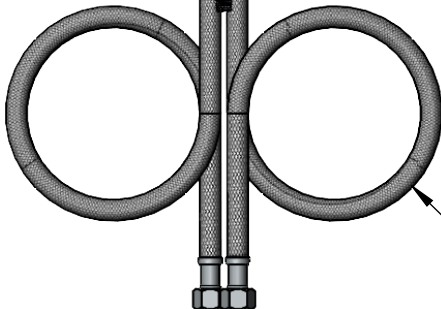


10" Swing Nozzle
 w/ Full Flow Aerator



3 15/16"
 [100mm]

Ø 1 13/16"
 [46mm]



(2) 450mm Flexible Hoses
 w/ G1/2 Female Inlets

Rough-In Requirement:
 Ø 1 1/4" [32mm] Mounting Hole

Product Specifications:
 Single Hole Deck Mount Mixing Faucet, Lever Handles, 10" Swing Nozzle w/
 Full Flow Aerator & G1/2 Female Inlets

Product Compliance: