



T&S BRASS AND BRONZE WORKS, INC.
 2 Saddleback Cove / P.O. Box 1088
 Travelers Rest, SC 29690

Model No.
EX-1DF05

Item No.

Travelers Rest, SC: 800-476-4103 • Simi Valley, CA: 800-423-0150 • Fax: 864-834-3518 • www.tsbrass.com

This Space for Architect/Engineer Approval

Job Name _____ Date _____

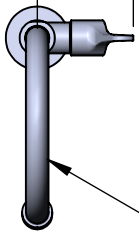
Model Specified _____ Quantity _____

Customer/Wholesaler _____

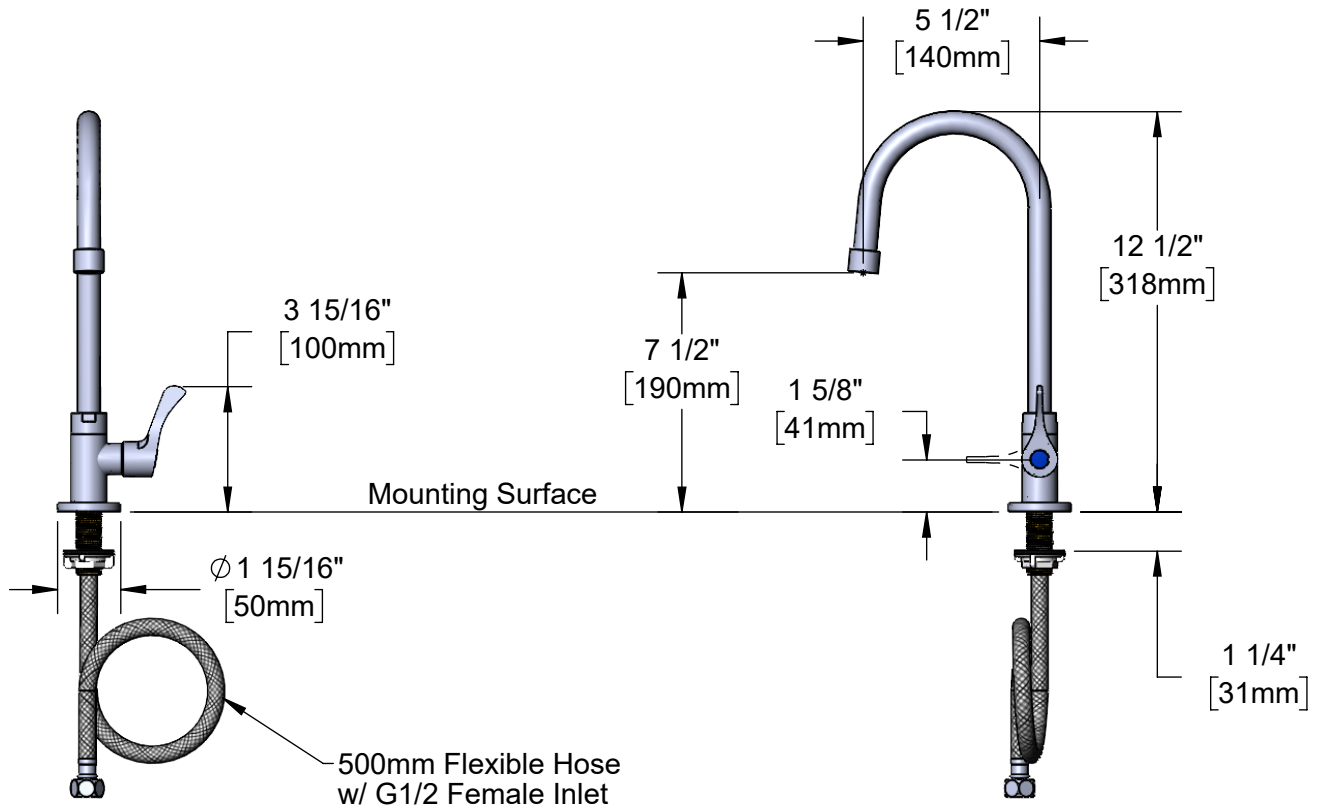
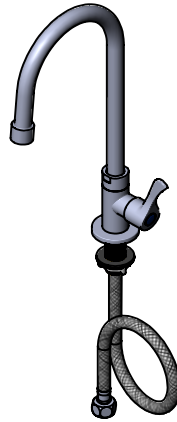
Contractor _____

Architect/Engineer _____

3"
 [76mm]



5" Swivel Gooseneck
 w/ Full Flow Aerator



500mm Flexible Hose
 w/ G1/2 Female Inlet

Rough-In Requirement:
 \varnothing 1" [25mm] Mounting Hole

Product Specifications:
 Single Hole Single Temperature Deck Mount Faucet, Lever Handle, 5" Swivel
 Gooseneck w/ Full Flow Aerator & Flexible Hose w/ G1/2 Female Inlet

Product Compliance: