

AC 176

Self Contained Ice Machine 83 kg

Item #:
Project:
Quantity:



FEATURES

- Produces individual Gourmet crystal clear ice cubes.
- Resistant stainless steel exterior.
- Advanced diagnostics computerized controls.
- Front panel in and out airflow (air-cooled model only) for built-in installation.
- Front access condenser air filter, removable and washable (air cooled version only).
- Easily accessible front panel mount ON-OFF Switch.
- Routine maintenance visible alarm light on front panel. Water system protected by patented anti-scale system.
- Ergonomically designed ice storage access, with disappearing door. Door-closing movement dampening system.

Self Contained Ice Machine 83 kg



AC L 176
Large Gourmet 39 g
Ø 38 x H 41 mm



AC M 176
Medium Gourmet 20 g
Ø 30 x H 34 mm



AC S 176
Small Gourmet 8 g
Ø 21 x H 25 mm

CONDENSING SYSTEM

Air cooled
Water cooled

REFRIGERANT GAS

R134a
R404A

VOLTAGE V/Hz/ph

230/50/1
230/60/1

INTERNAL BIN CAPACITY

48 kg

CERTIFICATIONS



OPERATING REQUIREMENTS

	Minimum	Maximum
Air temperature	10	43
Water temperature	5	38
Water pressure	1 bar (14 psi)	5 bar (70 psi)
Electrical voltage	-10%	+10%

IMPORTANT NOTICE:
Models and specifications are subject to change without notice.
This spec sheet is meant for commercial purpose only.
For technical documentation please refer to our service manuals.

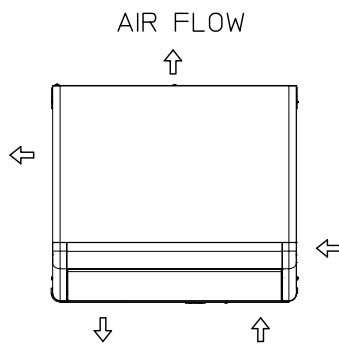
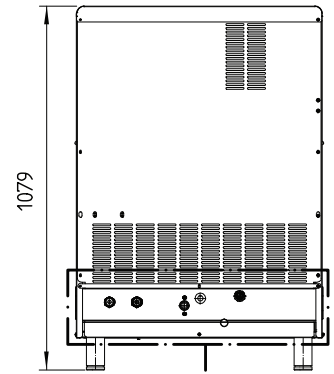
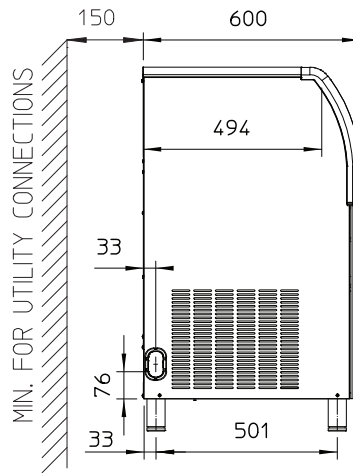
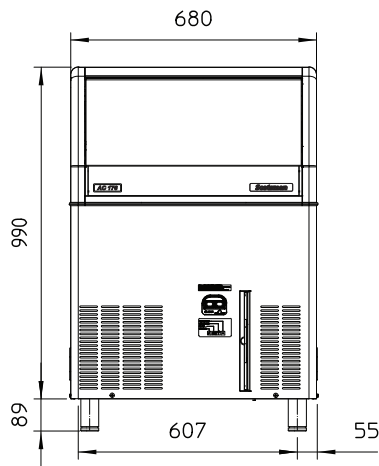
www.scotsman-ice.it
www.scotsman-ice.com

AC 176

Self Contained Ice Machine 83 kg

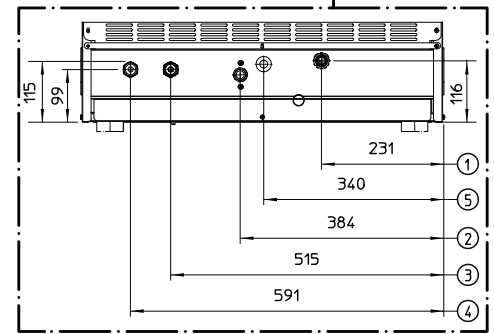
Item #:
Project:
Quantity:

Self Contained Ice Machine 83 kg



UNIT OF MEASUREMENT: mm

1. 25/32" OD - OVERFLOW DRAIN
2. 3/4" GAS - WATER INLET
3. 3/4" GAS - WATER OUTLET WATER COOLED UNIT ONLY
4. 3/4" GAS - WATER INLET WATER COOLED UNIT ONLY
5. CORD SET



UNIT DATA		SHIPPING DATA									
Size (W x D x H)		680 x 600 x 1079 mm		Carton (W x D x H)		750 x 670 x 1170 mm					
Net weight		70 kg		Weight		80 kg					
Version	Voltage	24 h ice production kg °C Amb. / °C Water			Energy consumption (*)		Water usage (*)	Instant power	Compressor	Circuit wires	Max. fuse size
		10°C/10°C kg	21°C/10°C kg	32°C/21°C kg	kWh/ 100 kg	kWh/ 24h	l/h	W	W	No. x Ømm²	A
ACL 176 AS	230/50/1	71	69	59	29.7	17.5	10.0	1000	2070	3 x 1.5	10
ACL 176 WS	230/50/1	71	70	58	25.9	15.0	79.2	610	1504	3 x 1.5	16
✓ ACM 176 AS	230/50/1	83	82	69	26.8	18.5	8.5	1000	2070	3 x 1.5	16
ACM 176 WS	230/50/1	80	78	70	25.7	18.0	62.0	800	2070	3 x 1.5	16
ACS 176 AS	230/50/1	70	69	55	29.1	16.0	9.6	900	1500	3 x 1.5	16
ACS 176 WS	230/50/1	70	69	55	29.1	16.0	79.2	760	1500	3 x 1.5	16
ACL 176 AS	230/60/1	85	83	65	26.0	17.0	9.6	860	1800	3 x 1.5	16
ACM 176 AS	230/60/1	85	80	70	30.4	21.0	7.5	1200	2419	3 x 1.5	16
ACM 176 WS	230/60/1	86	80	69	28.0	19.0	54.0	870	2420	3 x 1.5	16
ACS 176 WS	230/60/1	72	66	57	32.4	18.8	87.5	750	1070	3 x 1.5	16

(*) Data refer to 32°C Amb. / 21°C Water temperature conditions