

安装之前

所有资料是按最新出版的资料编写而成，卡丽公司保留任何时候不经过通知即可改变产品特性，包装和产品可供类型的权利。

说明书包括正要的安装，保养及清洁方面的内容，请把这些资料交给客户阅读。

注意事项:

本产品为水泥墙面或木墙面安装。如安装在其他表面可能影响产品的性能。

危险警告: (人身伤害)

本产品不能作为扶手等支撑物使用，请勿将产品安装在可能被误认为扶手等支撑物的位置。

BEFORE YOU BEGIN

All information is based on the latest product information available at the time of publication. Karat Co. reserves the right to make changes in product characteristics, packaging, or availability at any time without notice.

Please leave these instructions for the consumer. They contain important information.

NOTE:

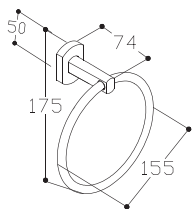
These products should be located and mounted to a wall. While it is possible to mount them to any surface, a stud or concrete mounted product will yield the best results.

DANGER: (Risk of personal injury)

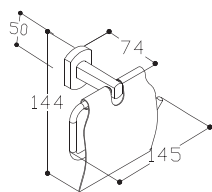
These products are not designed or intended for use as a grab bar or support bar. Do not install any of these products in any area where they are likely to be used inadvertently as a grab bar or support bar.

尺寸图

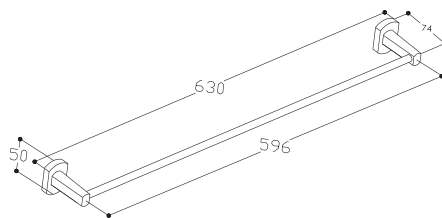
ROUGHING-IN



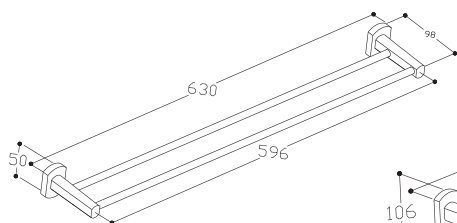
99421T-CP



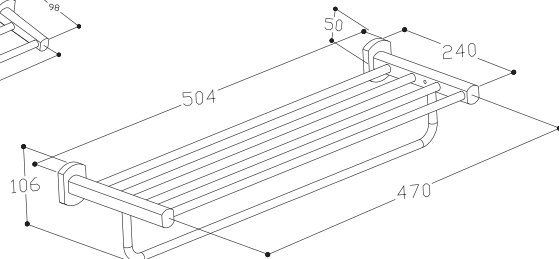
99422T-CP



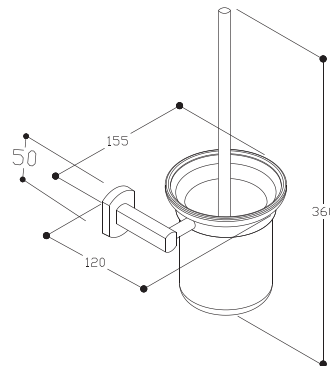
99423T-CP



99424T-CP



99425T-CP



99930T-CP

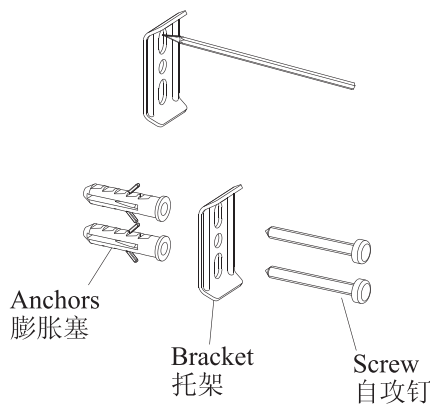
安装步骤

INSTALLATION

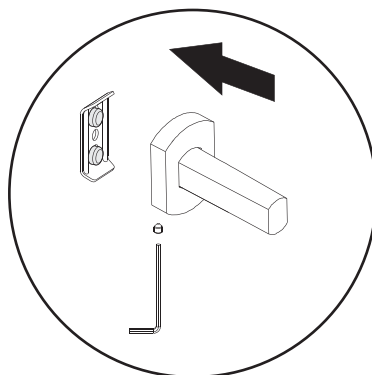
在垂直的墙面上选择一个合适的位置，
如图所示，在墙壁上标识膨胀塞的位置，
确保托架两长直边铅垂。根据膨胀孔直径钻孔。

将膨胀塞塞入孔中，用自攻钉固定托架，
确保托架两长直边铅垂。

将产品安装到托架上，用内六角螺钉
固定产品。



Select a location on the vertical wall.
Mark anchors mounting hole locations
on wall as shown, ensure two long
straight edges of bracket are vertical.
Drill holes in the finished wall as
required.
Press the anchors into the holes.
Orienting the straight edges of the
bracket vertically, keeping the
horizontal hole of the bracket up and the
vertical hole down, secure the bracket
with self-tapping screws.



一年有限担保

ONE-YEAR WARRANTY

本产品自购买之日起，对正常使用下的制造和质料上的
瑕疵提供1年的质量担保。在质保期内，凭购货发票，
我司将免费承担有制造质量引起的任何问题。经核查
后，我司有权决定是修理，更换，还是做适当的调整。

这里的担保，包括产品都已明确地限制在该担保期内。
我司对以后出现的损坏不负有任何责任。担保也不包括
外观损伤，使用不当及未按说明书安装的损失。

This product is warranted for one year from date of
purchase. Our company will be responsible for any
problems caused by manufacturing defects provided with
the invoice. Our company will, at its election, repair,
replace or make appropriate adjustment where our company
inspection discloses any such defects occurring in normal
usage within one year after purchase.

The warranty, including products, is limited clearly. Our
company is not responsible for other damages appeared
after the warranty. Also, the warranty dose not cover
problems arising from labor charges, incorrect use and
installation.

Shanghai Kohler International Trade Co., Ltd.
Address: Room 1348, Floor 13, No.55, Xi Li Road,
China(Shanghai) Pilot Free Trade Zone
Tel: 400-920-8262
Postcode: 201206

上海科勒国际贸易有限公司
地址：中国(上海)自由贸易试验区西里路55号13层1348部位
电话：400-920-8262
邮编：201206