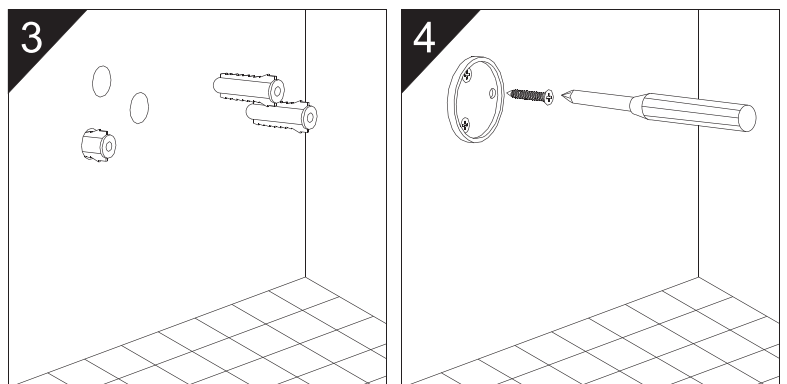
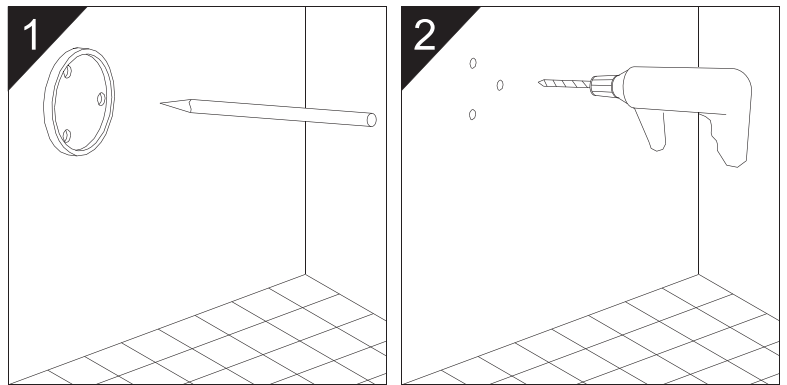


### BEFORE YOU BEGIN 安装之前

- Please read the instructions carefully
- Please give the instructions to the end customer after installation
- The shape and components of the product do not necessarily comply with the illumination which is only for your reference.
- Please purchase a suitable and usable connector
- It is recommended that the customer invite professionals for the installation
- The following pictures for your reference do not necessarily comply with the products. Please contact the seller or Shanghai Kohler International Trade Co. Ltd. if you have any question related to installation.
- 请仔细阅读本说明书
- 安装完毕后，请务必将本说明书交给最终客户
- 产品外形及所包含的配件以实物为准，示意图仅供参考
- 请购买一个正确且有效的连接装置
- 建议客户请专业的安装人士安装
- 以下图例安装步骤仅供参考，一切以所购买实物为准，如遇到不清楚之处，请联系您的销售商或联系上海科勒国际贸易有限公司

### INSTALLATION EXPOSITION

- 1 Place the fixing pieces at the installation positions required by the customer and mark the positions of the screws with pencil.
- 2 Take off the fixing pieces and drill the installation hole with electric hammer. The depth of the hole should be enough to hold the nylon set.
- 3 Insert the nylon sets.
- 4 Screw the fixing piece tight.
- 5 Install the fittings fixing seat on the fixing piece and screw it tight to finish the installation.

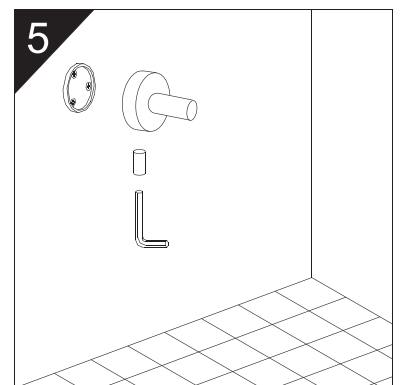


### 安装说明

- 1 将固定片放在客户需要安装的位置上，用铅笔画出螺丝孔位置
- 2 取下固定片，用电锤打出安装孔，孔深以能放入尼龙套为宜。
- 3 放入尼龙套
- 4 用螺丝锁紧固定片
- 5 将配件固定座安装在固定片上，用顶丝锁紧，安装完毕

### CLEANSING AND MAINTENANCE

- 1 Please do not use rough abrasive or polisher to cleanse the bath fittings surface while soft cloth with water and neutral detergent is preferred.
- 2 In case of special stains, please clean with toothpaste. Tooth paste is preferred for cleansing the surface of floor drain. Do not use sand dust, alkaline detergent and scouring pad or the galvanized plate may be damaged and the life span of the product shortened.



## 清洁与维护

- 1 清理配件表面污垢时，请不要用粗糙的研磨剂或抛光剂来清洗，请用软布沾清水加中性清洁剂擦拭即可。
- 2 如有特别污渍时，可用牙膏清理，切记不可用砂粉，碱性强力清洁剂及百洁布清理，否则会破坏产品电镀表面缩短产品寿命。

## ONE-YEARS WARRANTY

\*Our company has an extensive quality promise to the end customers. The Karat products proved to be correctly installed and properly used enjoy a maintenance period of 1 years during which any products with quality defects shall be repaired without any charge.

\*Quality defects caused by the following factors are not included in the promise:

- 1) Quality defects caused by improper installation, replacing and repairing are not included in the promise.
- 2) Products of industrial and commercial use are not included in the promise. However the end customers are included.
- 3) Quality defects caused by misuse, abuse, carelessness and employment of non-Karat components are not included in the promise.

\*Please keep your invoice of the Karat product properly to ensure better service from us.

\*This promise base on the produced since 2007 of our company in China.

\*The company keep its right of use the latest component for repairing.

## 一年有限担保

- \* 我司对卡丽产品的最终客户有广泛的质量保证，卡丽产品在被证明正常安装和使用的请提下，保修期为1年。在保修期内对有质量问题的产品免费维修。
- \* 对于在以下行为中产生质量问题的不包括在此保证范围内
  - 1) 因非正常安装，替换，修理及类似的行为中产生的质量问题的不包括在此保证范围内
  - 2) 对于工业和商业用途的产品不包括在此保证范围内，但此保证会自动延续到此用途的客户手中，依此类推
  - 3) 对于误用，滥用，疏忽和使用非卡丽配件所产生的质量问题不包括在此保证范围内
- \* 请妥善保管购买卡丽产品时的发票，以便我们能更好的为您服务
- \* 此质量保证基于卡丽品牌2007年以后生产的中国市场的产品
- \* 公司保留维修时使用最新配件的权利

Shanghai Kohler International Trade Co., Ltd.

Address: Room 1348, Floor 13, No.55, Xi Li Road,

China(Shanghai) Pilot Free Trade Zone

Tel: 400-920-8262

Postcode: 201206

上海科勒国际贸易有限公司

地址：中国(上海)自由贸易试验区西里路55号13层1348部位

电话：400-920-8262

邮编：201206