

# 卡丽 KARAT®

## 安装说明书 INSTALLATION INSTRUCTIONS

AGAVE  
BATH & SHOWER COLUMN  
恒温花洒淋浴柱  
35389VN-CP

### BEFORE YOU BEGIN

Please read these instruction carefully familiarize yourself with the required tools, materials, and installation sequences. Follow the sections that pertain to your particular installation. This will help you avoid costly mistakes. In addition to proper installation, read all operating and safety instructions.

All information in these instructions is based upon the latest product information available at the time of publication. Karat reserves the right to make changes in product characteristics, packaging, or availability at any time without notice.

These instructions contain important care, cleaning, and warranty information, please leave instructions for the consumer

#### NOTES:

Flush the water supply pipes thoroughly to remove debris. The minimum inlet water pressure for the diverter is 0.05Mpa(0.5bar)

The highest working pressure for handspray is 0.5Mpa (5bars). If it exceeds 0.5Mpa(5bars), a pressure reducer is needed. The highest water and environment temperature is 60°C please keep handspray away from heater, or maybe damage it and hurt user.

Hot water supply temperature range 50 degrees to 80 degrees

### 安装之前

请仔细阅读说明书，熟悉所需工具、材料和安装顺序，参照相关章节完成您所需的安装，以避免昂贵的损失，除了正确的安装外，请详阅所有的操作和安全说明。

本说明书所含的一切资料均以印刷时所有的最新产品为准，卡丽公司保留权利随时更改产品特性、包装或供应情况，恕不另行通知。

本说明书也包含了有关保养、清洁及产品担保等重要信息，请交予用户保存。

#### 注意事项:

一定要先彻底冲洗供水管以及清除管道中的杂质。切换阀正常工作的最小水压为：0.05Mpa(0.5bar)。

花洒最高工作水压为0.5Mpa(5bars)，水压超过0.5Mpa(5bars)时需要安装减压阀。花洒最高工作温度及环境温度60°C。请特别注意，花洒需远离浴霸，否则可能损坏花洒，甚至对使用者造成伤害。

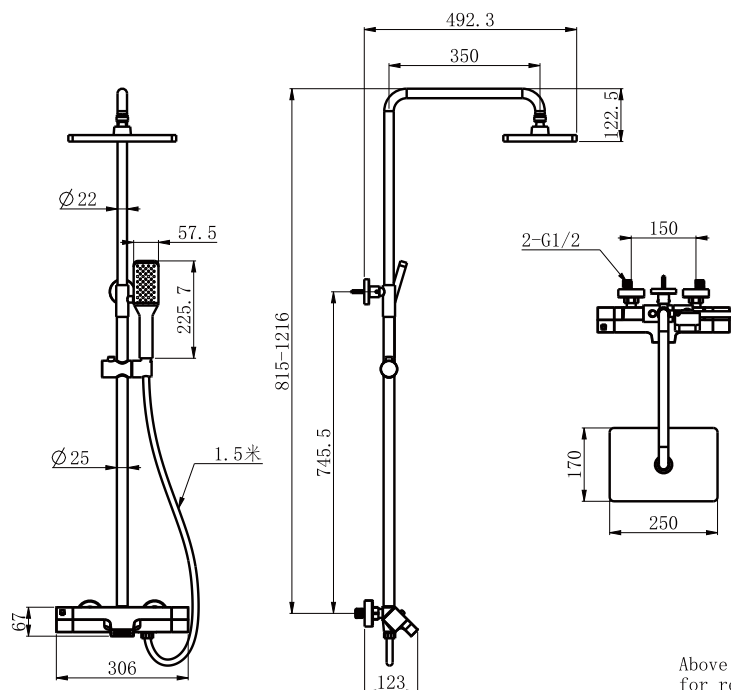
热供水温度范围：50°C~80°C

### ROUGHING-IN

Unit:mm

### 尺寸图

单位:毫米



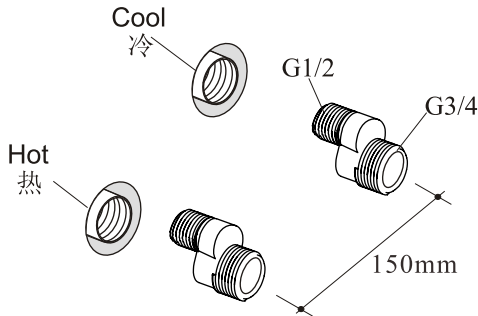
Above dimensions are for reference only.  
以上尺寸仅供参考。

1 HOW TO INSTALLATION THE FAUCET

to perform installation ,installer must provide G1/2 female supply fittings,spaced 150mm apart , level and not extending beyond finished wall surface. Flush the water supply pipes thoroughly to remove any debris .

Install the two offset connectors into the hot and cold supply pipes. Use appropriate thread sealants on pipe threads.

Adjust the center-to-center distance between the connectors to 150mm and level.Thread the trim caps onto the connectors so that the trim caps contact the finished wall.

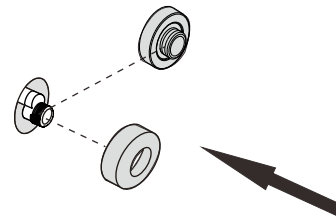


1 安装龙头

为使安装顺利，G1/2内螺纹管道配件应已经安装好，预留150mm的间距，保持水平，不要凸出墙面，彻底清洗供水管，以清除供水管中的杂质。

使用合适的螺纹密封膏，安装两个接头到冷热供水管。

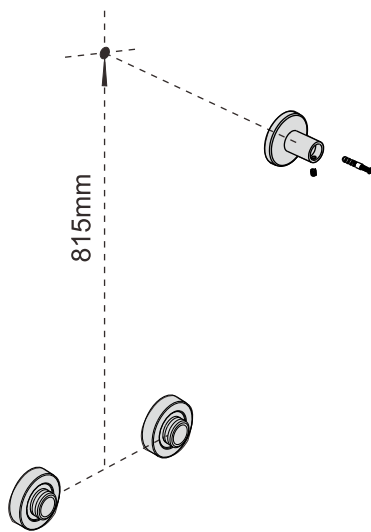
保持两个接头的中心到中心的距离为150mm，并调整到同一水平。把装饰罩旋入接头，紧贴墙面。



2,HOW TO INSTALL THE COLUMN

On the basis of the centers of the offset connectors, measure 815mm (only for reference, please measure the distance according to the actual dimension of the installed faucet, diverter, slide bar and adjustable base) from the middle of the two connectors and make a mark.

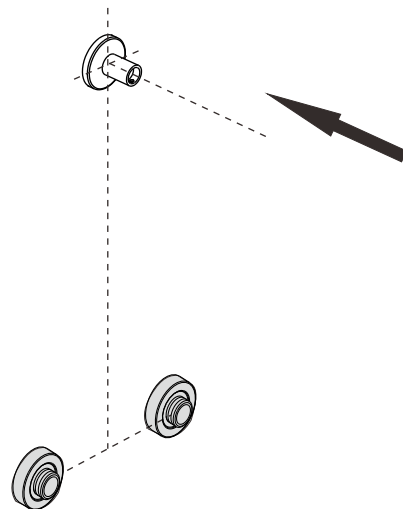
With the mark as the center of the fixing bracket, drill one holes according to the mounting holes in the fixing bracket. Insert the raw plugs into holes. Tighten the fixing bracket with the screws. Fix the cap to the fixing base.



2,如何安装淋浴杆

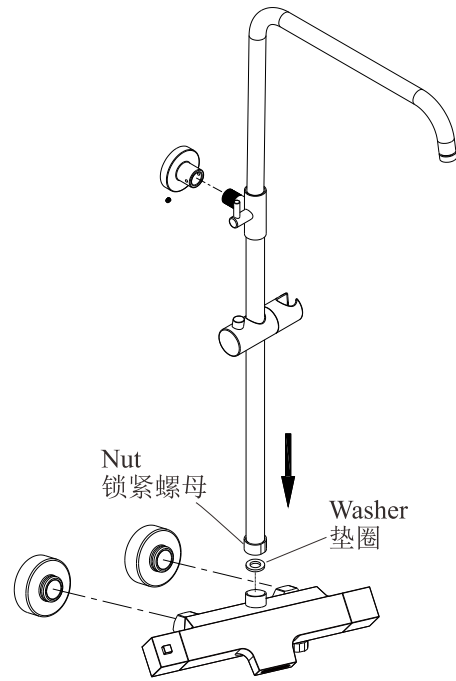
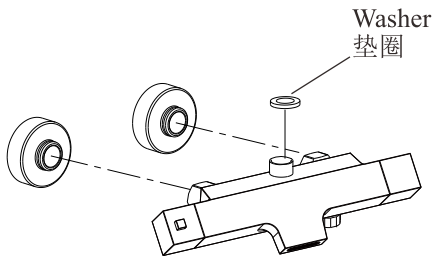
以接头中心为基准，距离两弯头815mm(仅供参考，以装好的龙头阀体、换向阀、淋浴管、调整座的实际尺寸为准)的中间位置作一标记。

以标记为墙座的圆心基点，在墙上钻一个孔，并打入膨胀管，用螺钉将墙座锁紧于墙上，在调节套上套入装饰盖并按紧。



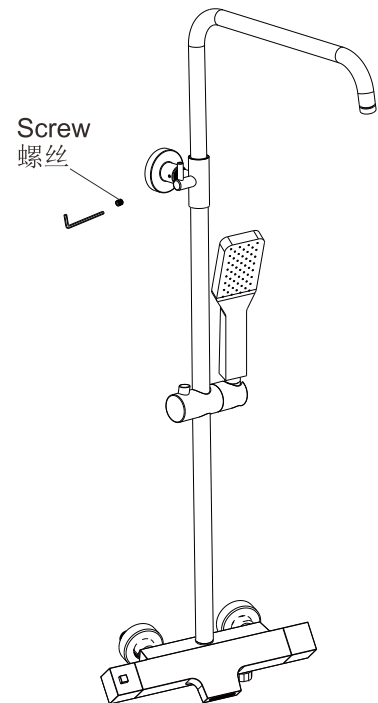
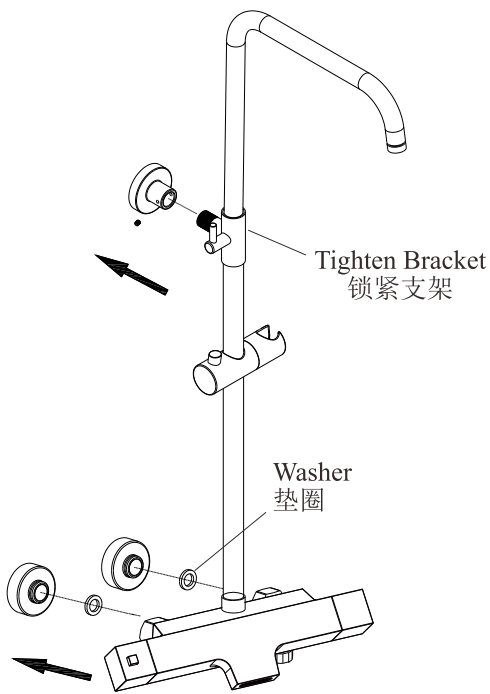
Insert the installed slide bar into the nut of the faucet and tighten the nut.

将装好的直杆插入龙头的锁紧螺母中，并将锁紧螺母锁紧。



Insert the Tighten Bracket tube of the adjustable base into the fixing base and fix the caps to the two offset connectors. Insert the washers to the nuts and tighten. Adjust the distance between the slide bar and the finished wall and tighten the nut in the fixing base.

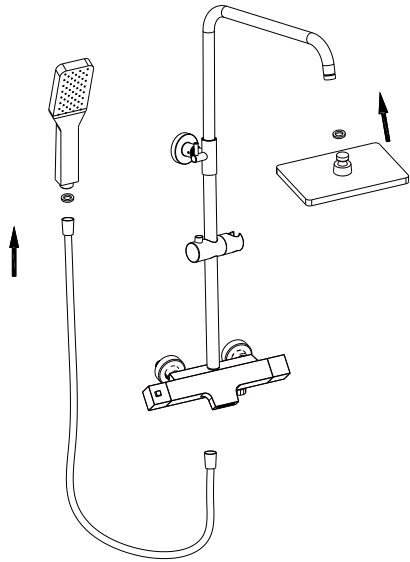
将锁紧支架直管部分插入锁紧底座，同时将两装饰盖分别套在两个接头上，在两锁紧螺母中装入垫片并同步锁紧，调整好直杆与墙面的距离并在调节套上锁紧固定螺母。



### 3, HOW TO INSTALL THE SHOWER

Flush both water supplies through the shower arm for one minute before the showerhead is installed. Apply or sealant to the exposed end of the shower arm. Tighten the showerhead with a strap wrench.

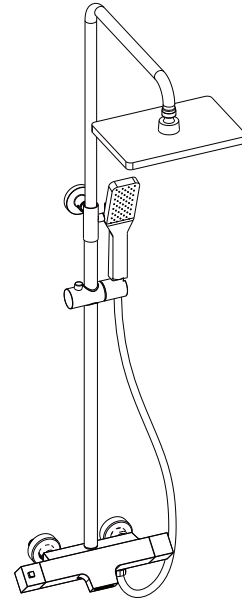
Before installation, install current limiter if needed. Take out washer and install restrictor as the figure shown, reinstall washer.



### 3, 如何安装花洒

装花洒头之前，先打开水源冲掉杂质。在花洒臂螺纹上缠绕足以密封的密封胶带或涂合适的密封胶，将花洒头旋到花洒臂上。

在装花洒之前可根据需要安装限流器。先取出垫片，按图示方向放入限流器，再装回垫片。



### HANDLE OPERATION

The handwheel on the right side of the faucet is the water outlet switching valve, and the handwheel on the left side is the water temperature adjustment valve.

See picture 1  
The handwheel rotates 90° forward, and the water is discharged from the spout.  
See picture 2  
Handwheel rotate 180° forward, handheld shower water.  
See picture 3  
Hand wheel rotates backward 90°, the top spray shower water.  
See picture 4  
The handwheel is in off state, the faucet is closed.

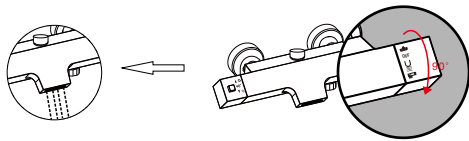


图1, Water flows out from the bath spout  
出水嘴出水

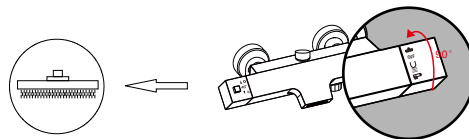


图3, Water flows out from the top shower head  
头顶花洒出水

### 使用说明

龙头右侧把手为出水切换阀, 左侧把手为水温调节阀

如图1  
手轮向前旋转90°，出水嘴出水  
如图2  
手轮向前旋转180°，手持花洒出水  
如图3  
手轮向后旋转90°，头顶花洒出水  
如图4  
手轮处于OFF状态，龙头关闭

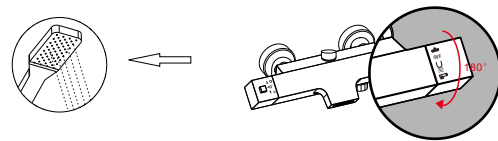


图2, Water flows out from hand shower  
手持花洒出水

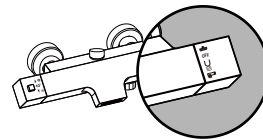


图4, Faucet turn off  
龙头关闭

## CLEANING INSTRUCTIONS

## 清理说明

All finishes : clean the finish with a mild soap and warm water. wipe entire surface completely dry with a clean soft cloth. Many cleaners may contain chemicals , such as ammonia chlorine, toilet cleaner etc., Which could adversely affect the finish and are not recommended for cleaning.

Don't use abrasive cleaner or solvents on karat faucets and fitting.

适用于所有加工处理过的表面：  
以中性肥皂水清洗镀层表面，再以干净的软布彻底擦干整个表面。许多清洁剂，比如氨水、去污粉及洁厕灵等，会对电镀表面造成伤害，切勿使用。

有腐蚀性的清洁剂或溶剂不可使用于卡丽的水龙头及其附件上。

KOHLER ASIA PACIFIC LIMITED  
Address: 14/F, No.88 Gloucester Road,  
Wanchai, Hong Kong

# 卡丽 KARAT®

## 维修零件图 SERVICE PARTS PAGE

AGAVE  
BATH & SHOWER COLUMN  
恒温花洒淋浴柱  
35389VN-CP

