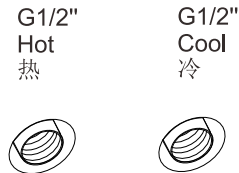


INSTALLATION

安装

- 1, please make sure that G1/2" cold and hot water supply pipelines have been installed, and the space between the two water supply pipelines is 150mm, and keep horizontal, these two pipelines will be horizontal without any prominent part above the wall.
- 2, Clean up the sundries from the pipeline completely.

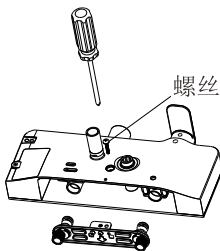
- 1, 请在安装前确保G1/2" 的冷热水供水管道已经安装好, 且两个冷热水供水管道的中心间距为150mm, 并保持水平, 冷热水供水管道不要凸出墙面。
- 2, 彻底的清洗管道中的杂质



Installation 安装

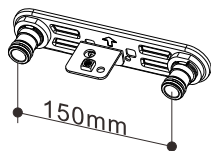
- 1, Please dismantle the retaining screws from the faucet backside by the cross screwdriver, as shown in the figure, and strengthen the backboard and take out the joint.

1, 请用十字螺丝刀从龙头的背面依图所示拆下固定螺丝, 并将增强背板, 接头取出。



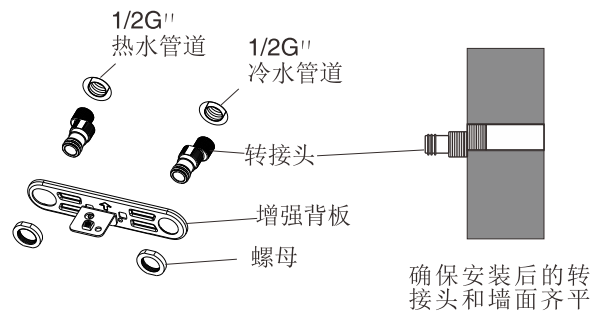
- 3, Please keep the strengthening backboard arrow upward, install the strengthening backboard on the joint, as a result, the strengthening backboard shall stick closely to the wall, then, please apply two nuts to fix the strengthening backboard.

3, 将增强背板的箭头方向上, 将增强背板安装到转接头上, 增强背板紧贴墙面, 用两个螺母固定增强背板



- 2, Please wrap the thread seal tape on G1/2" threaded end of the joint, then, install two joints on the cold and hot water supply pipelines, keep the center-to-center spacing of the two joints is 150mm and keep horizontal.

2, 在转接头G1/2" 的螺纹端缠上生料带, 安装两个转接头到冷热水供水管道, 保持两个转接头的中心间距为150mm, 保持水平并保证转接头的螺纹完全拧进墙体的进水管中。



- 1, Please label the installation location holes of fixed wall base on the position which keeps 818mm from the ground on the basis of the center of two joints. (The dimension is only used for reference. The actual dimension of products shall be prevailed during installation.)

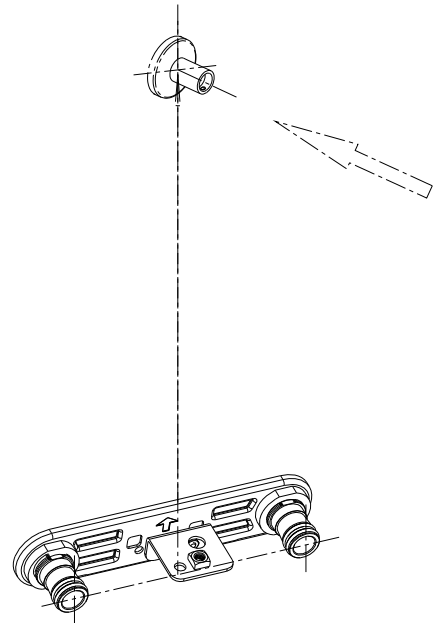
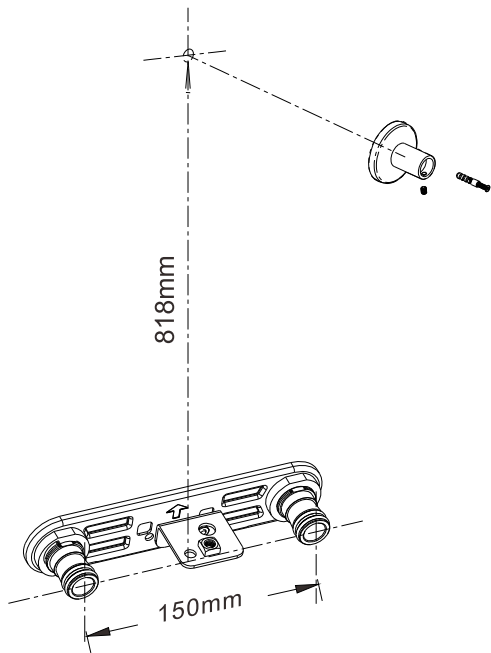
2, Use an electric drill to drill hole (make use of packing string to cover the subjacent joints and fixed backboard before drilling)

3, Insert the expansion plug and make use of bolts to fix the wall base.

- 1, 以两个转接头的中心为基准, 向上818mm处标注固定墙座的安装定位孔。(此尺寸供参考, 安装时以产品的实际尺寸为准)

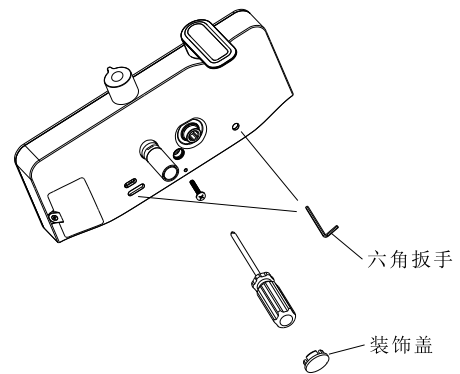
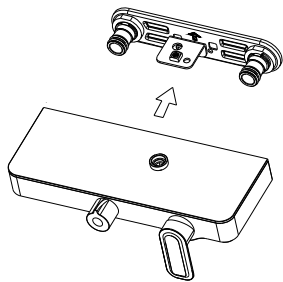
2, 用电钻钻孔(钻孔前请用包装带遮盖下面的转接头和固定背板)

3, 打入膨胀塞, 用螺钉固定墙座。



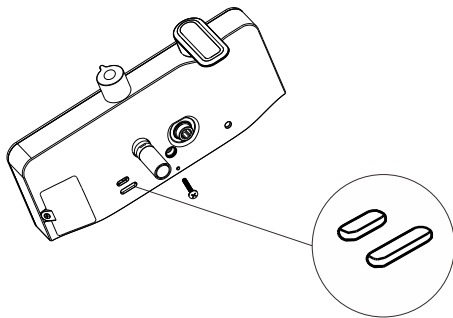
1, Please set the faucet on the joint in accordance with the figure, then, lock the fixed screw and hexagon socket from the bottom, and install the decorative cover.

1, 将龙头本体按图示套到转接头上，从底部锁上固定螺钉和内六角，装上装饰盖。



Remarks: If there is a small dimension (smaller than 10mm) difference between the faucet and the joint installation, please use a cross screwdriver to loosen (be sure not to unscrew) the screws slightly, then, screw down the screw after position adjustment.

注：龙头本体与转接头安装如有轻微尺寸（小于10mm）差异，可用十字螺丝刀将此处螺丝轻微松动（切勿拧下），待调整好本体位置后再拧紧此螺丝。



1,As shown in the figure, please install the upper elbow pipe, lower elbow pipe, locking bracket and shower bracket.

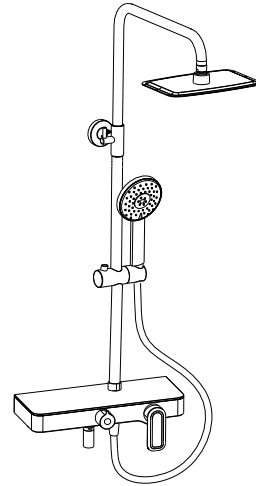
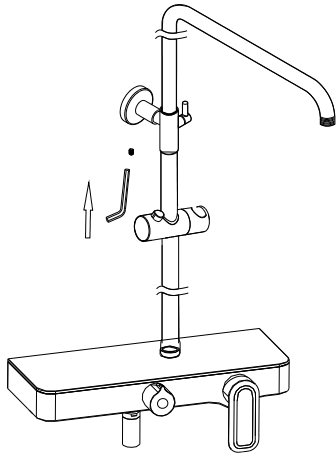
2,Please install the sealing gasket in the locking nut, then, mount the assembled upper elbow pipe, lower straight pipe, locking bracket and shower bracket on the faucet, and make use of hexagon socket to fix the upper elbow pipe and straight pipe.

3,As shown in the figure, please install the overhead shower, hose and handheld shower.

1, 如图示，组装上弯管、下直管、锁紧支架，花洒支架。

2, 将包装内的密封垫片安装在锁紧螺母处，将组装好的上弯管、下直管、锁紧支架，花洒支架安装到龙头本体上，用内六角固定上弯管和直管。

3, 如图示，安装头顶花洒，软管和手持花洒。



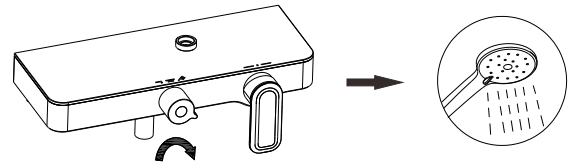
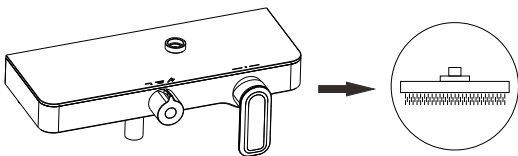
The use of the faucet 龙头的使用:

1, As shown in the figure, the shower head will yield water .

1,如图,切换阀向上, 头顶花洒出水。

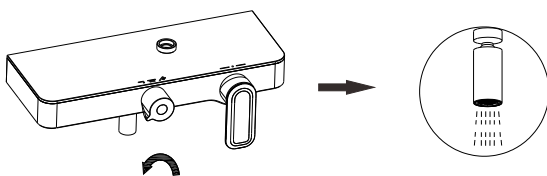
2, As shown in the figure, the handheld shower will yield water .

2,如图, 向右旋转切换阀, 手持花洒出水



3, As shown in the figure, the lower water faucet will be opened.

3,如图, 向左旋转切换阀, 下出水嘴出水。



CLEANING INSTRUCTIONS

清理说明

All finishes : clean the finish with a mild soap and warm water. wipe entire surface completely dry with a clean soft cloth. Many cleaners may contain chemicals , such as ammonia chlorine, toilet cleaner etc., Which could adversely affect the finish and are not recommended for cleaning.

Don't use abrasive cleaner or solvents on karat faucets and fitting.

适用于所有加工处理过的表面:

以中性肥皂水清洗镀层表面,再以干净的软布彻底擦干整个表面。许多清洁剂,比如氨水、去污粉及洁厕灵等,会对电镀表面造成伤害,切勿使用。

有腐蚀性的清洁剂或溶剂不可使用于卡丽的水龙头及其附件上。

FIVE -YEARS WARRANTY

五年有限担保

Our company provides five years warranty for its faucet valve to be leak and drip free during normal residential use. We also warrant all other aspects of its faucets to be free of defects of material and workmanship during normal residential use for one year. Our company will be responsible any problems caused by manufacturing defects provided with the invoice. Our company will, at its election, repair, replace or make appropriate adjustment where our company inspection discloses any such defects occurring in normal usage within warranty.

本产品自购买之日起,在正常使用下任何由阀芯造成的龙头滴漏现象,我司将提供长达5年的质量担保,同时对正常使用下的龙头制造和质料上的瑕疵提供1年的质量担保。在质保期内,凭购货发票,我司将免费承担由制造质量引起的任何问题。经核查后,我司有权决定是修理,更换,还是做适当的调整。

The warranty, including products, is limited clearly. Our company is not responsible for other damages appeared after the warranty. Also,the warranty dose not cover problems arising from labor charges,incorrect use and installation.

这里的担保,包括产品都已明确地限制在该担保期内。本公司对以后出现的损坏不负有任何责任。担保也不包括外观损伤,使用不当及未按说明书安装的损失。

Shanghai Kohler International Trade Co., Ltd.
Address: Room 324, 2 Xinlin Rd,
Waigaoqiao Free Trade Zone, Shanghai
Tel: 400-920-8262
Postcode: 200131

上海科勒国际贸易有限公司
地址: 上海市外高桥保税区新灵路106号2号楼324室
电话: 400-920-8262
邮编: 200131

卡丽 KARAT®

维修零件图 SERVICEPARTSPAGE

MEREDITH
DUAL SHOWER COLUMN
梅瑞狄斯双花洒淋浴柱
21361T-CP

