

卡丽 K A R A T[®]

安装说明书 INSTALLATION INSTRUCTIONS

LOTUS
HALF PEDESTAL LAVATORY
半挂柱盆
35374VN-WK

安装说明书
INSTALLATION INSTRUCTION

安装之前

- 有关安装属专业性，故盥洗台下脸盆必须经由受过训练及有经验的技师进行安装。
- 切勿在本品上使用胶黏剂或有黏性的密封胶。
- 检查出水及供水管道，如有需要便更换。
- 安装之前先开启新脸盆的包装，检查有无损毁后放回纸箱中以免碰坏，到准备安装时才取用。
- 遵守当地所有给排水及建筑规定。

所需工具及物料

(不随货供应)

- 封边胶
 - 炭笔
 - 卷尺
 - 尖刀或剪刀
 - 匙孔线锯或手提电锯
 - 钻(直径1/2英寸或更大的钻咀)
 - 防护眼镜
 - 锤子
 - 抹布或抹手纸
- 注意：若盥洗台的物料并非木或木质合成品，则您可能需要在安装脸盆时使用其他更专门的工具。

BEFORE YOU BEGIN

- Due to the nature of the installation, undercounter lavatories should be installed by trained and experienced installers.
- Do not use adhesives or adhesive sealants with this product.
- Inspect the waste and supply tubing; replace if necessary.
- Prior to installation, unpack the new lavatory and inspect it for damage. Return the lavatory its protective carton until you are ready to install it.
- Observe all local plumbing and building codes.

TOOLS AND MATERIALS (Not Supplied)

- Sealant
 - Pencil
 - Tape measure
 - Sharp knife or scissors
 - Keyhole or saber saw
 - Drill (1/2" dia. drill bit or larger)
 - Safety glasses
 - Hammer
 - Rags or paper toweling
- NOTE:** You may require different, more specialized tools to install this lavatory to countertop materials other than wood or wood composites.

所有台面的安装

- 如还未安装盥洗台，请在这时装上。
- 按照龙头安装说明引钻龙头孔。
- 按照制造商的说明书，在盥洗台上装水龙头。按照制造商的说明书，在脸盆下装排水管。

注意：请勿在本品上使用胶黏剂或有黏性的密封胶。在与盥洗台接触的脸盆边缘，如珠串般滴上优质密封胶。

- 在木、木质合成物及大理石的盥洗台上安装脸盆时，可使用夹具及螺钉(配件不随货供应，用户需自行购买)。其他物料制造的脸盆，则请参考盥洗台制造商的说明书上的建议，使用适当的扣件。
- 在上紧夹具前，先将脸盆平整地放在盥洗台切口下，然后小心将脸盆拉起直至合度才可上夹具，切勿上得太紧。
- 立即擦去多余的密封胶。
- 最后将所有水管及水龙头与脸盆连接妥当，确保安装乃符合水管及水龙头的一切有关的安装说明书。

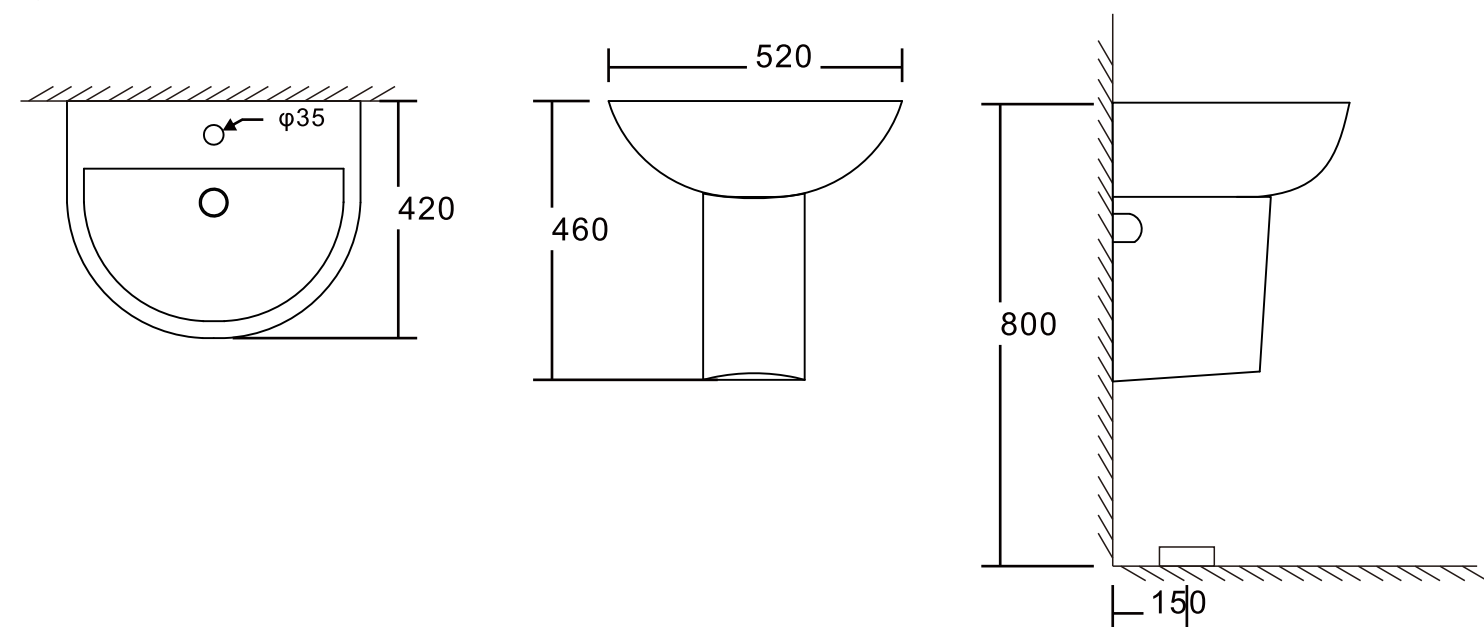
- 使用非腐蚀性的清洁剂进行清洁。

FOR ALL INSTALLATIONS

- If the countertop has not been installed, install it at this time.
 - Drill the faucet holes according to the faucet installation instructions.
 - Install the faucet to the countertop according to the manufacturer's instructions.
 - Install the drain to the lavatory according to the manufacturer's instructions.
- NOTE:** Do not use adhesives or adhesive sealants.
- Apply a continuous bead of quality sealant to the lavatory rim where it will contact the countertop.
 - For wood, wood composite, and marble countertops, install the lavatory to the countertop with the clamps and screws (**Not Supplied**). For other countertop materials, refer to the countertop manufacturer's instructions for recommended fasteners.
 - Position the lavatory squarely under the cutout before tightening the clamps. Draw the lavatory rim up to the countertop until it is snug. **Do not overtighten.**
 - Immediately wipe away any excess sealant.
 - Make the final drain and faucet connection to complete the lavatory installation. Be sure to follow all instructions packed with the drain and faucet.
 - Clean up with a **non-abrasive** cleaner.

尺寸图

单位:毫米
Unit:mm

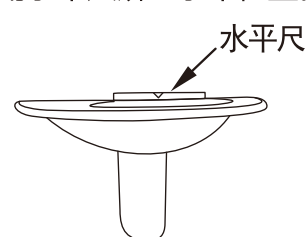


ROUGHING-IN

安装立柱盆

检查准备装上立柱盆的位置。

- 将立柱盆组合好，放到安装所需位置，并且用水平尺校正水平位置。



- 开孔后安装上柱盆，拧上螺丝。

INSTALL COLUMN BASIN

- Check the position of the basin ready to be installed
- Combine the column basin in the required position for installation, and correct the horizontal position with a horizontal ruler.
- The contact between the basin and the wall, the column and the ground shall prevail, and sealed with edge glue.

保养和清洁

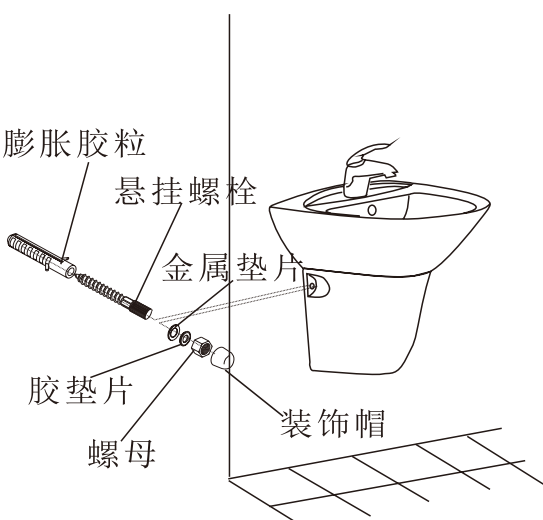
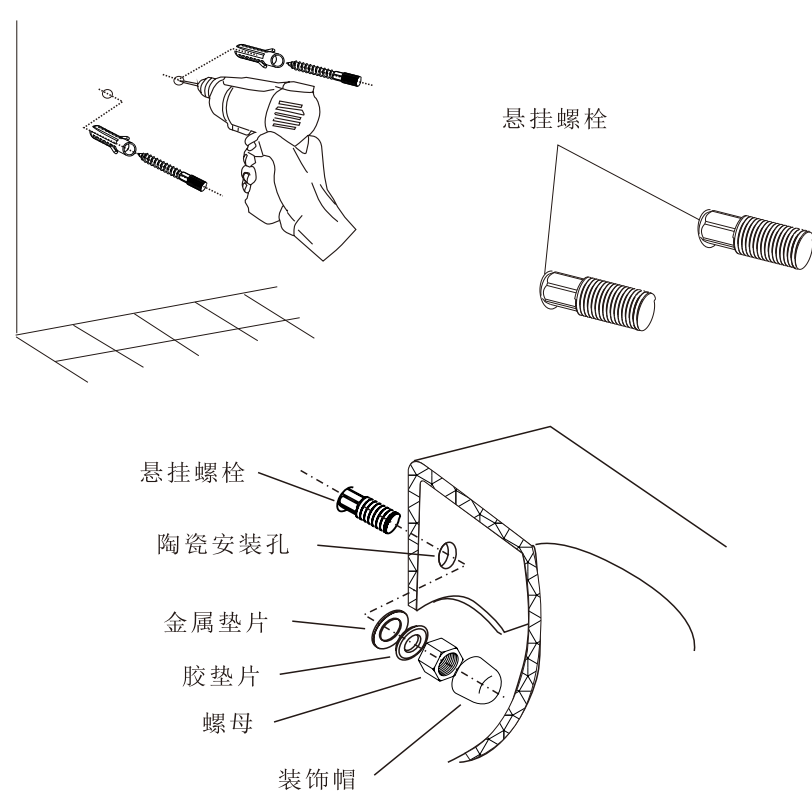
为确保最佳使用效果，在保养您的产品时，请注意以下几点：

- 对整个产品使用任何清洁剂之前，请在产品不醒目处试用。
- 使用清洁剂后，将表面擦拭干净，并用水彻底冲洗。同时冲洗并擦干喷洒到附近表面的清洁剂。
- 勿使用清洁剂浸泡产品表面。
- 使用柔软的湿布或海绵。避免使用如刷子或百洁布之类的磨损性材料擦洗产品表面。
- 避免让产品表面长时间接触褪色性材料。
- 请于每次使用后彻底冲洗并擦干表面。

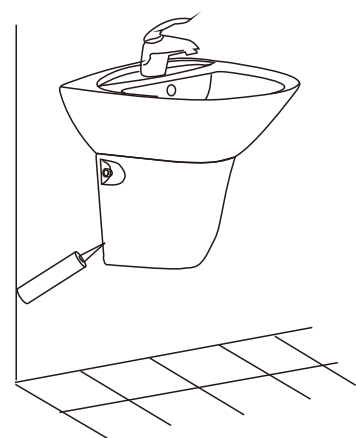
CARE AND CLEANING

For best results, keep the following in mind when caring for your product:

- Always test your cleaning solution on an inconspicuous area before applying to the entire surface.
- Wipe surfaces clean and rinse completely with water immediately after applying cleaner. Rinse and dry any overspray that lands on nearby surfaces.
- Do not allow cleaners to soak on surfaces.
- Use a soft, dampened sponge or cloth. Never use an abrasive material such as a brush or scouring pad to clean surfaces.
- Be careful not to leave staining materials in contact with the surface for extended periods of time.
- The ideal cleaning technique is to rinse thoroughly and blot dry any water from the surface after each use.
- Connect the trap to the drain.
- Run water into the lavatory. Check all connections for leaks.



- 将盆与墙面、立柱与地面的接触为准，用封边胶密封。



KOHLER ASIA PACIFIC LIMITED
Address: 14/F, No.88 Gloucester Road, Wanchai, Hong Kong