

# 卡丽 K A R A T<sup>®</sup>

## 安装说明书 INSTALLATION INSTRUCTIONS

### AGAVE VESSEL LAVATORY

35382VN-WK

INSTALLATION INSTRUCTION

#### 安装之前

- 有关安装属专业性，故盥洗台下脸盆必须由受过训练及有经验的技师进行安装。
- 切勿在本品上使用密封胶或有黏性的密封胶。
- 检查出水及供水管道，如有需要便更换。
- 安装之前先开启新脸盆的包装，检查有无损毁后放回纸箱中以免损坏，到准备安装时才取用。
- 遵守当地所有给排水及建筑规定。

#### 所需工具及物料

(不随货供应)

- 封边胶
  - 炭笔
  - 卷尺
  - 尖刀或剪刀
  - 匙孔线锯或手提电锯
  - 钻(直径1/2英寸或更大的钻咀)
  - 防护眼镜
  - 锤子
  - 抹布或抹手纸
- 注意：若盥洗台的物料并非木或木质合成品，则你可能需要在安装脸盆时使用其他更专门的工具。

#### BEFORE YOU BEGIN

- Due to the nature of the installation, undercounter lavatories should be installed by trained and experienced installers.
- Do not use adhesives or adhesive sealants with this product.
- Inspect the waste and supply tubing; replace if necessary.
- Prior to installation, unpack the new lavatory and inspect it for damage. Return the lavatory its protective carton until you are ready to install it.
- Observe all local plumbing and building codes.

#### TOOLS AND MATERIALS (Not Supplied)

- Sealant
  - Pencil
  - Tape measure
  - Sharp knife or scissors
  - Keyhole or saber saw
  - Drill (1/2" dia. drill bit or larger)
  - Safety glasses
  - Hammer
  - Rags or paper toweling
- NOTE: You may require different, more specialized tools to install this lavatory to countertop materials other than wood or wood composites.

#### 所有台面的安装

- 如还未安装盥洗台，请在这时装上。
- 按照龙头安装说明引钻头孔。
- 按照制造商的说明书，在盥洗台上装上水龙头。按照制造商的说明书，在脸盆下装上排水管。

注意：请勿在本品上使用密封胶或有黏性的密封胶。在与盥洗台接触的脸盆边缘，如珠串般滴上优质密封胶。

- 在木、木质合成物及大理石的盥洗台上安装脸盆时，可使用夹具及螺钉(配件不随货供应，用户需自行购买)。其他物料制造的盥洗台，则请参考盥洗台制造商的说明书上的建议，使用适当的扣件。
- 在上紧夹具前，先将脸盆平整地放在盥洗台切口下，然后小心将脸盆拉起直至合度才可上夹具，切勿上得太紧。

- 立即擦去多余的密封胶。
- 最后将所有水管及水龙头与脸盆连接妥当，确保安装乃符合水管及水龙头的一切有关的安装说明书。

- 使用非腐蚀性的清洁剂进行清洁。

#### FOR ALL INSTALLATIONS

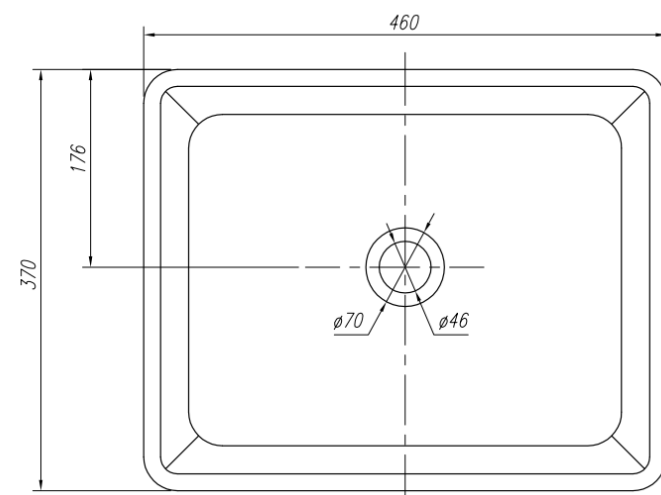
- If the countertop has not been installed, install it at this time.
- Drill the faucet holes according to the faucet installation instructions.
- Install the faucet to the countertop according to the manufacturer's instructions.
- Install the drain to the lavatory according to the manufacturer's instructions.

NOTE: Do not use adhesives or adhesive sealants.

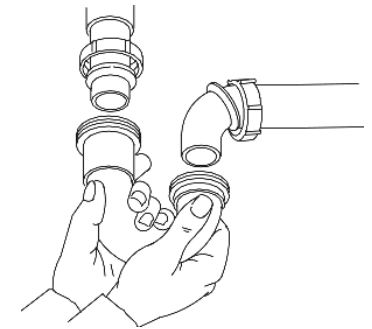
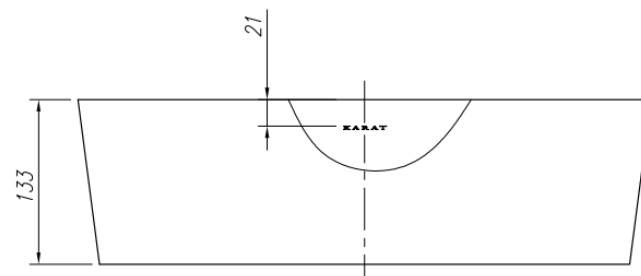
- Apply a continuous bead of quality sealant to the lavatory rim where it will contact the countertop.
- For wood, wood composite, and marble countertops, install the lavatory to the countertop with the clamps and screws (Not Supplied). For other countertop materials, refer to the countertop manufacturer's instructions for recommended fasteners.
- Position the lavatory squarely.
- Immediately wipe away any excess sealant.
- Make the final drain and faucet connection to complete the lavatory installation. Be sure to follow all instructions packed with the drain and faucet.
- Clean up with a **non-abrasive** cleaner.

#### 尺寸图

Unit:mm



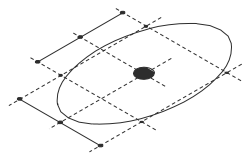
#### ROUGHING-IN



#### 安装脸盆

检查准备装上脸盆的位置，是否与后挡水板、水龙头、脸盆及柜子保持足够的距离。

- 剪出模板。
- 将模板小心放置于盥洗台上，并在台面上按照模板画出其边缘轮廓导线。
- 在盥洗台上标出水龙头孔位的中心线。
- 在切线内侧钻一个12mm的导孔。
- 用手提电锯或匙孔线锯切开盥洗台。



#### 木制盥洗台

- 按照模板所示的位置，在台面上标出及预先钻妥木螺钉的孔位。

#### 大理石盥洗台

- 将大理石盥洗台倒过来放在泡沫垫上以保护其表面，按照模板所示的位置钻孔。
- 利用安装工具及锤子来固定预埋螺母。

#### INSTALL THE LAVATORY

- Check the desired lavatory location for clearance between the backsplash, faucet, fixture, and cabinet.
  - Prepare the cut-out line.
  - Mark the faucet hole centerline on the countertop.
  - Drill a 1/2" pilot hole on the inside of the cut line.
- Cut out the countertop opening with a saber or keyhole saw.

#### FOR WOOD COUNTERTOPS

- Mark and pre-drill the wood screw holes at the locations shown on the template.
- Waterproof any exposed areas of wood.

#### FOR MARBLE COUNTERTOPS

- Position the countertop upside down on foam padding to protect the surface.
- Use a setting tool and hammer to secure the anchors.

#### 保养和清洁

为确保最佳使用效果，在保养您的产品时，请注意以下几点：

- 对整个产品使用任何清洁剂之前，请在产品不醒目处试用。
- 使用清洁剂后，将表面擦拭干净，并用水彻底冲洗。同时冲洗并擦干喷洒到附近表面的清洁剂。
- 勿使用清洁剂浸泡产品表面。
- 使用柔软的湿布或海绵。避免使用如刷子或百洁布之类的磨蚀性材料擦洗产品表面。
- 避免让产品表面长时间接触染色性材料。
- 请于每次使用后彻底冲洗并擦干表面。

#### CARE AND CLEANING

For best results, keep the following in mind when caring for your product:

- Always test your cleaning solution on an inconspicuous area before applying to the entire surface.
- Wipe surfaces clean and rinse completely with water immediately after applying cleaner. Rinse and dry any overspray that lands on nearby surfaces.
- Do not allow cleaners to soak on surfaces.
- Use a soft, dampened sponge or cloth. Never use an abrasive material such as a brush or scouring pad to clean surfaces.
- Be careful not to leave staining materials in contact with the surface for extended periods of time.
- The ideal cleaning technique is to rinse thoroughly, and blot dry any water from the surface after each use.
- Connect the trap to the drain.
- Run water into the lavatory. Check all connections for leaks.

KOHLER ASIA PACIFIC LIMITED  
Address: 14/F, No.88 Gloucester Road, Wanchai, Hong Kong