

安装说明书

■ 请将说明书交于最终客户，为充分发挥产品功能，请按本说明书正确装配

1. 装箱清单 请参照下表确认配件是否齐全

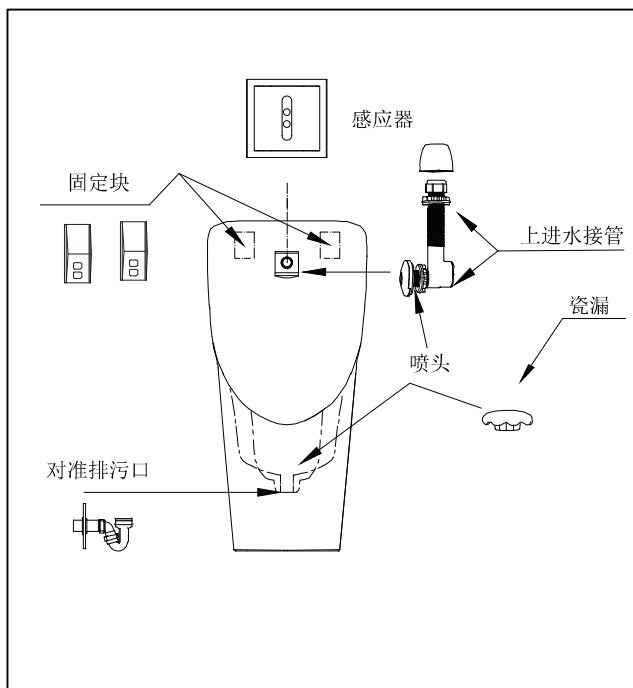
一、装箱清单

请参照下表确认配件是否齐全

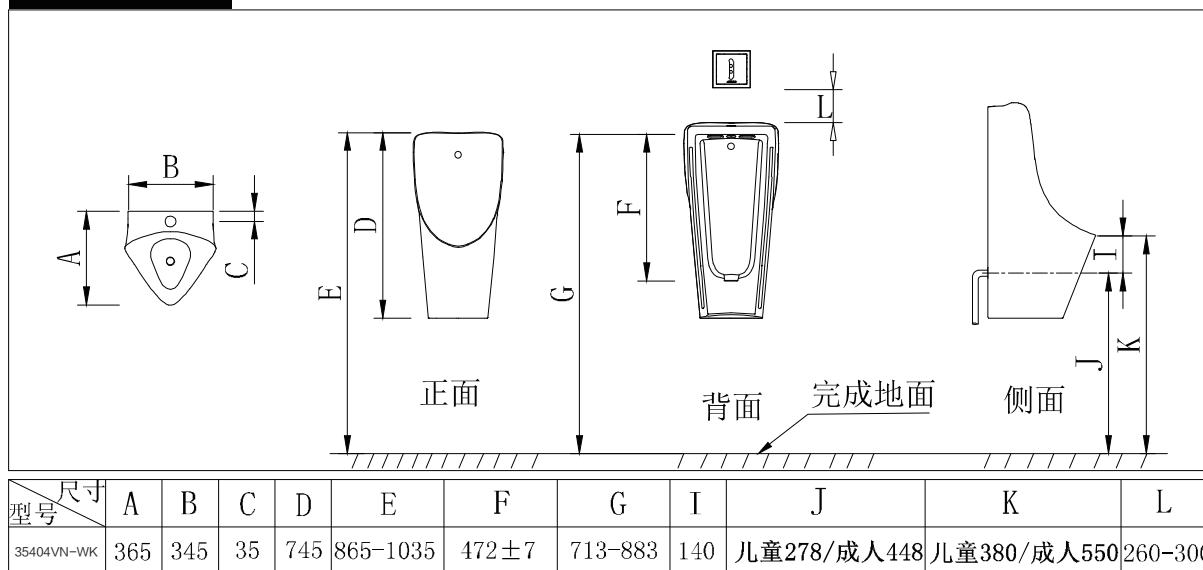
名称	数量	略图	备注
小便器	1个		
固定块	2个		随附
固定块螺栓	4个		随附
拉爆(胶粒)	4个		随附
垫片	4个		随附
瓷漏	1个		随附
排污弯管	1套		随附
上进水接头	1套		选配
后进水喷头	1套		选配
安装说明书	1张		本纸
合格证	1张		本纸

顾客自己购买的材料：玻璃胶、感应器，后进水只配喷头，不配上进水接头。

2. 安装总图



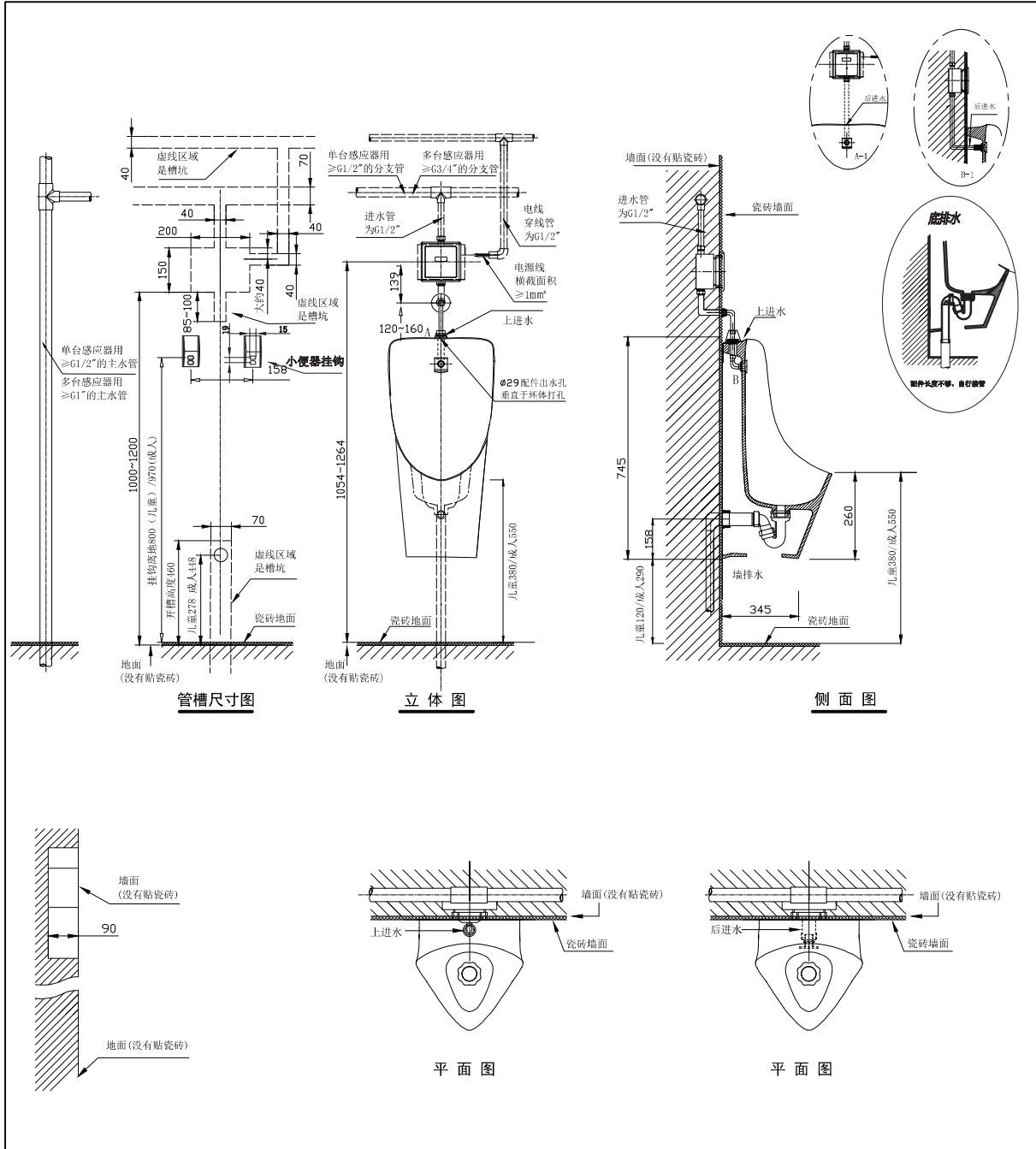
3. 安装尺寸



J 尺寸为小便器632不同坑距
建议小便器安装完成后K值小孩为380mm、成人550mm

4. 小便器施工要领

单位: mm
() 建议尺寸安装, 以实物为准



■ 本指引所载的一切资料, 均以印刷时所有的最新产品情况为基础, 卡丽保留随时更改产品特性、包装或供应情况, 恕不另行通知。

警告!

- 1、小便器与进水管连接不紧密, 有漏水可能。
- 2、陶瓷小便器属于易碎品, 请不要重力撞击陶瓷, 防止破损漏水。
- 3、确保陶瓷体内干燥、无积水的前提下, 方可在0°C以下使用或储存。

KOHLER ASIA PACIFIC LIMITED
Address: 14/F, No.88 Gloucester Road,
Wanchai, Hong Kong

Installation Instructions

Please hand the manual to the final customer. Please assemble this appliance correctly according to this instruction in order to make full use of the functions of the appliance.

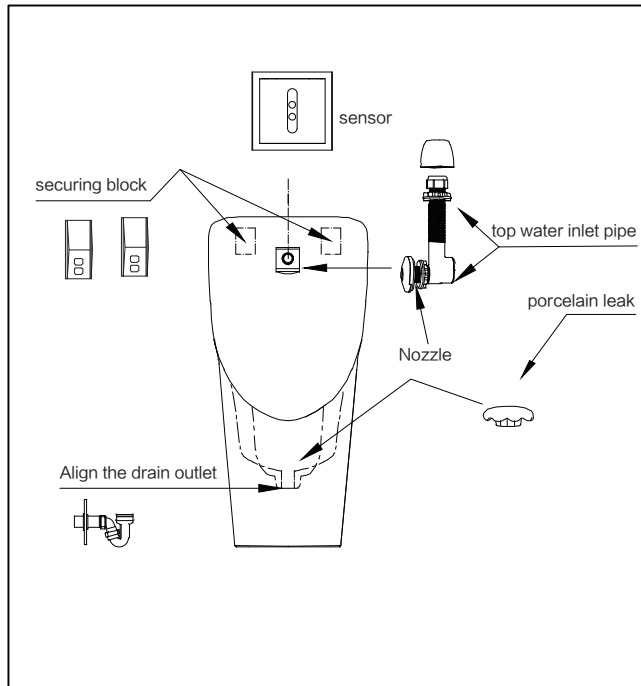
1. Packing list

Please refer to the table below to confirm whether the accessories are complete

Name	Quantity	Sketch	Remark
Urinal	1		
Securing block	2		Attached
The bolt of securing block	4		Attached
Welling colloidal particles	4		Attached
Spacer	4		Attached
Porcelain leak	1		Attached
Draining pipe	1		Attached
The top inlet joint	1		Optional
Back inlet nozzle	1		Attached
Manual	1		Papers
Qualification certificate	1		Papers

Materials purchased by customers themselves are glass glue, sensors etc. This appliance is only equipped with nozzle, no water inlet connector for back inlet mode.

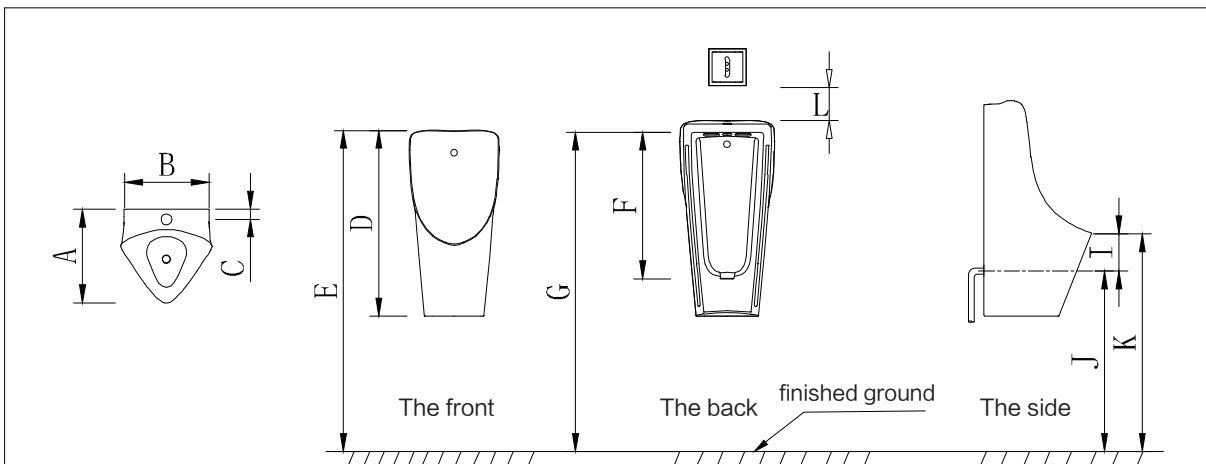
2. General installation diagram



3. Installation dimension

Units: mm

It is suggested that the size of installation shall be subject to the actual object.



Size Model	A	B	C	D	E	F	G	I	J	K	L
35404VN-WK	365	345	35	745	865-1035	472±7	713-883	140	Kids 278/Adults 448	Kids 380/Adults 550	260-300

It is different of size J for kid and adult

It is recommended that the K value of children is 380mm and for adults it is 550mm after the installation.

