

卡丽 KARAT

安装说明书 INSTALLATION INSTRUCTIONS

MAGSAT
ONE PIECE TOILET 305MM RI
连体座便器 305MM坑距
35396VN-WK配缓降盖板

BEFORE YOU BEGIN

Please read these instructions carefully to familiarize yourself with the required tools, materials, and installation sequences. Follow the sections that pertain to your particular installation. This will help you avoid costly mistakes. In addition to proper installation, read all operating and safety instructions.

- All information in these instructions is based upon the latest product information available at the time of publication. Kohler China reserves the right to make changes in product characteristics, packaging, or availability at any time without notice.

These instructions contain important care, cleaning, and warranty information - please leave instructions for the consumer .

安装之前

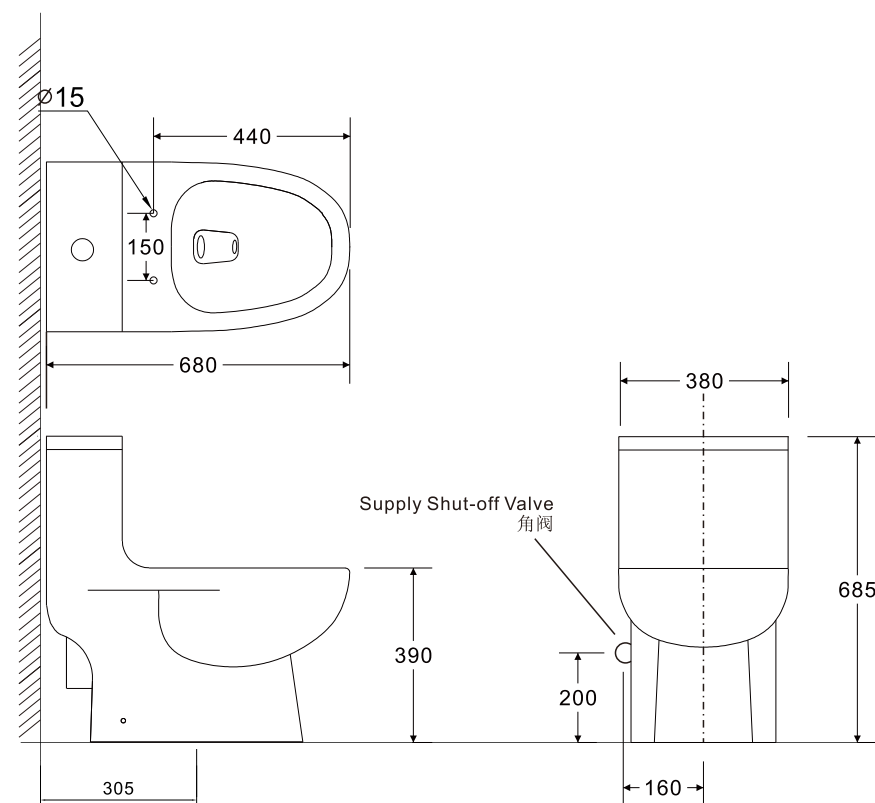
- 请小心详阅本指引。以便熟悉所需工具、材料及安装程序。请遵照适用的章节来安装你的座便器，以避免由于安装不当而导致不必要的损失。除了有关正确的安装方法之外，还务请详阅所有操作及安全指引。
- 本指引所载之一切资料，均以印刷时所有之最新产品情况为基础，我可保留权利随时更改产品特性、包装或供应情况，恕不另行通知。
- 本指引也包含了有关护理、清洁及保养等重要资料 - 请交予用户保存。

ORDERING INFORMATION
MORRISTOWN Single Flush One-piece Toilet 305mmRI
Water Consumption/4.0L
With Slow-close Toilet Seat&cover35396VN-WK

订购信息
连体座便器305MM坑距，
用水量/4.0升
配缓降盖板35396VN-WK

Water Consumption :3.5/5.0, dual flush, average 4.0L; the measurement is according to the GB6952-2015 6.2.1.
用水量说明: 小档3.5L, 大档5.0L, 平均用水量4.0L为产品名义用水量, 计算方法依GB6952-2015 6.2.1项,
两次小档加一次大档用水量总和除以3

ROUGH-IN 尺寸图
单位:毫米



The size is for reference only, please check the actual size before installation.
此尺寸仅供参考，安装前请仔细测量实际产品。

TOOLS AND MATERIALS REQUIRED (Not supplied)

- Metal file (file cut)
- Tape measure
- Tubing cutter
- Level
- Hacksaw
- Putty knife
- Screwdriver
- Toilet supply shut-off valve

所需工具及材料 (不随货供应)

- 锉刀
- 卷尺
- 切管刀
- 水平尺
- 钢锯
- 涂油灰刀
- 螺丝刀
- 座便器供水管止水阀

NOTICE: If the existing toilet does not have a supply shut-off valve below the tank, install one before installing the new toilet.

注意: 如果现有座便器的水箱下方没有止水阀, 须在安装新座便器前装妥止水阀。

INSTALLATION

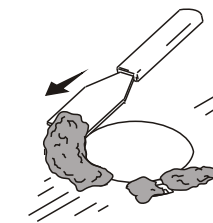
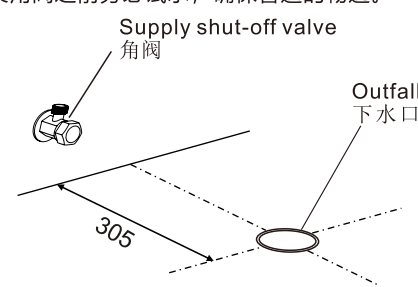
安装

1 The center of supply valve keeps a distance of about 200mm from the finished floor line, and the center of outfall keeps a distance of 305mm from the finished wall.

2 If replacing a toilet, remove the old wax. 如需拆除现有座便器, 请先刮除旧的蜡环。

止水阀中心距离地面200mm左右, 下水口中心离墙305mm。

注: 安装角阀之前务必试水, 确保管道的畅通。

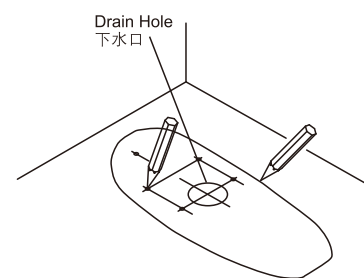


3 Position the template and align with drain hole.

Mark down the position of foot and 5 holes.

将安装模版放置在地面上, 并对齐下水口。

划出脚部轮廓线及五个孔的位置。

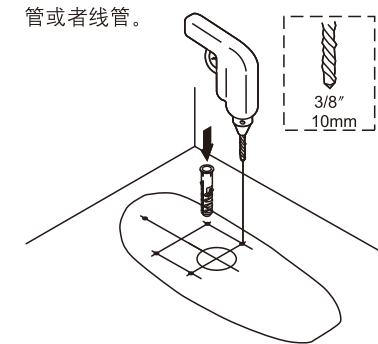


Drill holes on ground with the drill of 10mm (3/8"), then insert anchor to holes.

CAUTION: Please make sure there is no water pipe or spool under the 5 holes to be drilled.

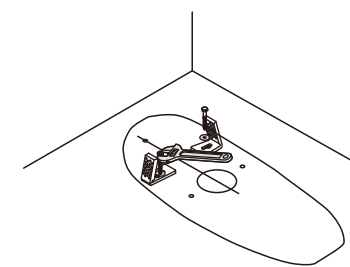
用10mm的钻头在地面上钻孔, 然后插入螺栓套管。

警告: 钻孔前请确保5个孔位下面无水管或者线管。



Install brackets.

安装支架。



4

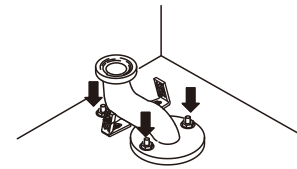
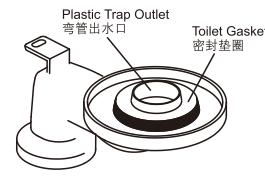
Firmly press the toilet gasket onto the toilet outlet of plastic trap.

NOTE 1: Wax ring type toilet gasket should not be installed at temperatures less than 21°C.

NOTE 2: If you are using a toilet gasket with an integral plastic sleeve, make sure the gasket is positioned with the sleeve facing away from the toilet.

Install plastic to ground and mounted with 3 set of bolts firmly.

NOTE: Must use the toilet installation gasket ring (not supplied) to seal the area where the waste pipe contacts the construction section to avoid leakage.



将密封垫圈紧套于弯管出水口。

注意1: 如使用蜡封式密封垫圈, 室温不应低于摄氏度21°C。

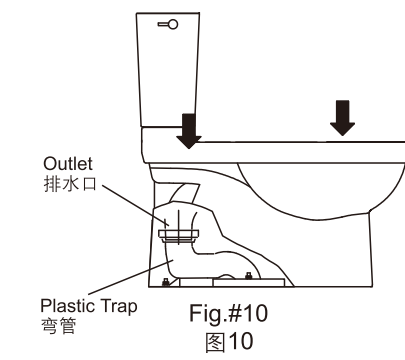
注意2: 如所使用的密封垫圈附有内式塑料套, 则此垫应朝外放置。

安装弯管于地面上, 并用3组螺栓上紧。

注意: 必须用座便器安装密封圈(不随货提供)来密封排污管和安装面排污口的连接, 防止漏水。

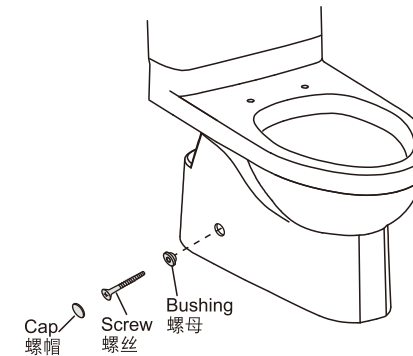
5 Carefully align and lower the bowl. Apply weight to the bowl rim to let the outlet insert into plastic trap.

小心对准并将座便器向下放置。同时将座便器边缘向下压, 以使排水口插入弯管中。为了要达到最佳的效果, 请在安装时确定座便器是否水平。



Carefully thread the screws into the brackets, until toilet is secure. Alternately tighten left and right sides to prevent pulling the toilet off center. Install cap to cover screw. Do not overtighten.

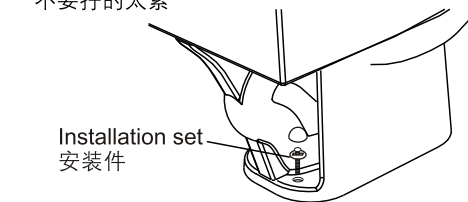
小心的将螺丝旋入支架中直到座便器完全固定。左右交替旋紧以免座便器偏离中心。安装螺帽。请勿过度旋紧。



6 Install the Toilet

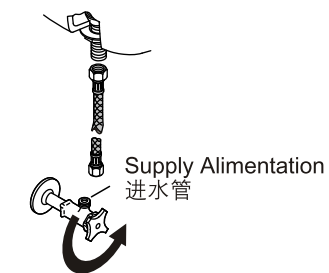
Install the bolts into the bracket and tighten evenly. Do not overtighten!

如图所示, 使用螺栓、垫圈和螺母将座便器固定到地面上。不要拧的太紧



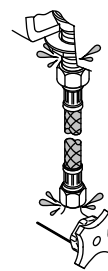
6 Connect supply and turn on the water.

连接供水管, 打开水源。



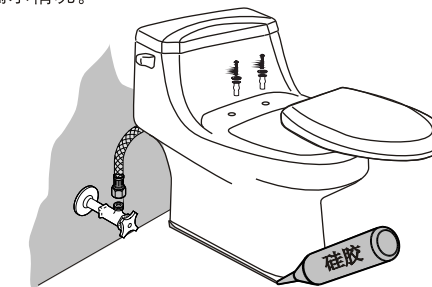
7 Flush several times and check for leaks.

冲水数次, 检查进水管是否漏水。



8 Install the seat. Use the supplied seat bolts and washers. Periodically check for leaks for several days following the installation.

安装盖板。使用附带的盖板螺栓和垫圈。安装后定期检查漏水情况。



IMPORTANT CONSUMER INFORMATION

用户须知

CONSUMER RESPONSIBILITIES

If you live in a hard water area, make certain that the holes in the toilet rim are kept clean to ensure proper bowl flushing. Toilet bowl cleaners should be used at least once a week. Use a long-handled brush to clean the rim holes, and to clean as far into the trap as possible to prevent mineral deposits from forming.

Most toilet bowl cleaners are not harmful to the vitreous china surface of the toilet bowl. Please follow the bowl cleaner manufacturer's instructions carefully.

Do not use abrasive cleaners or solvents.



WARNING: Risk of property or product damage. Do not use in-tank cleaners. Products containing chlorine (calcium hypochlorite) can seriously damage fittings in the tank. This damage can cause leakage and property damage.

Kohler Company shall not be responsible or liable for any damage to these tank fittings caused by the use of cleaners containing chlorine (calcium hypochlorite).



CAUTION: Don't use any cement while installing the toilet. Heat expansion of the toilet may damage the feet of the toilet. Kohler will not be responsible for any damage because of using cement.

用户责任

如果你居住地方的水质是硬性，你必须保持冲水孔清洁，令座便器冲水正常。每星期应最少使用座便器清洁剂清洁一次，用长把手的刷子清洁冲水孔，并尽量伸入排污管洗刷，防止矿物质积聚。

大多数马桶清洁剂对座便器表面是无害的。请认真遵循马桶清洁剂制造商的指示来操作。

请勿使用腐蚀性清洁剂或溶剂。



警告：提防楼宇受损或损坏产品。请勿使用水箱内用清洁剂。含氯（次氯酸钙）的清洁剂会严重破坏水箱配件，从而引起渗漏，或对楼宇结构造成损坏。

我公司对此类因使用氯(次氯酸钙)而引致的水箱装置损毁，概不负责。



警告：在安装本座便器时切勿使用任何水泥。因为水泥的热膨胀可能使座便器的脚部挤破或损坏。科勒对所有因为水泥安装而引起的座便器破裂恕不负责。

KOHLER ASIA PACIFIC LIMITED
Address: 14/F, No.88 Gloucester Road, Wanchai, Hong Kong

卡丽 KARAT
维修零件图 SERVICE PARTS PAGE

MAGSAT
ONE PIECE TOILET 305MM RI
连体座便器 305MM坑距
35396VN-WK配缓降盖板

