

## Overview

---

The CBR Series is a new lineup of passive loudspeakers developed by adopting the extensive knowledge of speaker design and acoustic technologies that Yamaha has accrued over a long and storied history of making speakers of every kind. Combining a meticulous materials selection process, thorough customization of the audio components, and a fresh, innovative approach to speaker design, our engineering team's primary focus was to deliver high-power, high-definition sound in a highly portable and versatile design that is equally at home in front-of-house, floor monitoring, or rigged configurations.

The CBR15 provides the lowest frequency in its lineup, delivering outstanding performance for the front-of-house sound for live performance, DJ events or for installation situations that require highly prominent low and high SPL.



## Features

---

- 15" 2-Way Loudspeaker
- Custom-designed transducers and top-quality components add up to unequalled performance
- Extremely accurate 90 x 60 constant directivity horn
- Durable, compact plastic enclosures
- Symmetrical enclosure design for mirror-mode floor monitoring
- Input connectors supporting both speakON and phone plugs
- Installable with eye bolt rigging and brackets

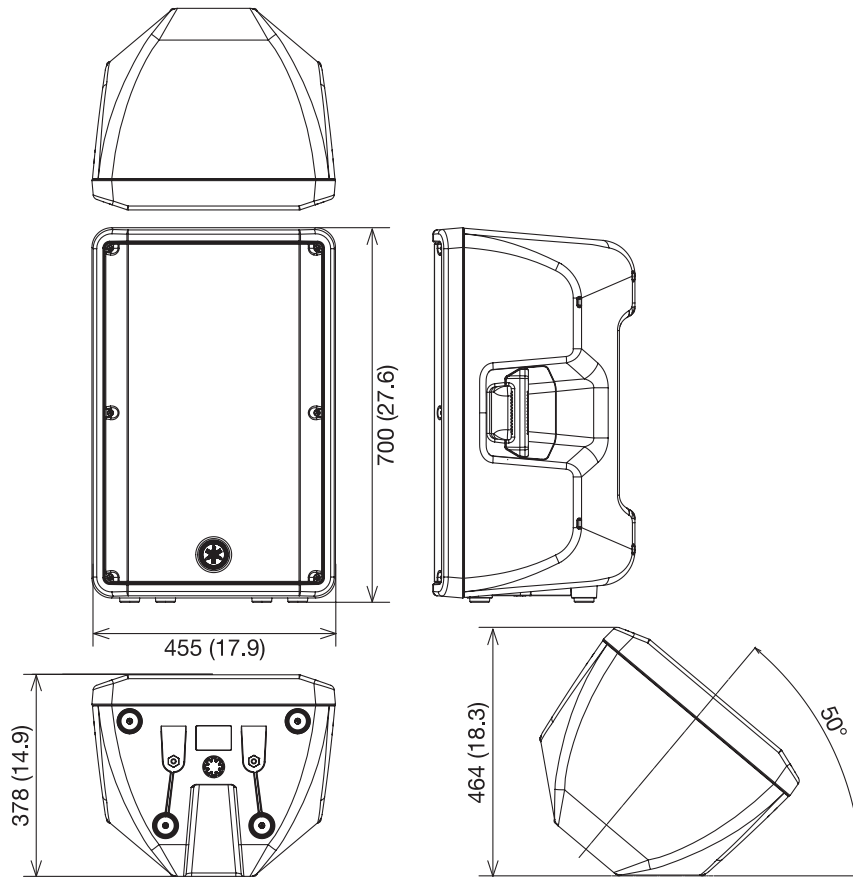
## Specifications

### General Specifications

System Type		2-way Speaker, Bass-reflex Type
Components	LF	15" cone, 2.5" voice coil, Ferrite Magnet
	HF	1.4" compression driver, 1" throat, Ferritex Magnet
Frequency Range	(-10dB)	46Hz - 20kHz
Crossover Frequency		2.0kHz
Coverage Angle (Horizontal x Vertical)		90° x 60° Constant directivity horn
Nominal Impedance		8Ω
Power Rating	NOISE	250W
	PGM	500W
	MAX	1000W
Sensitivity (1W, 1m)		96dB SPL
Maximum SPL (Calculated, 1m)		126dB SPL
Floor Monitor Angle		50° Symmetrical
Connectors		1/4" Phone x 1, speakON NL4MP x 1
Rigging Points		Bottom x 2, Rear x 1 (Fit for M8 x 15mm eyebolts)
Pole Socket		Ø35mm (Bottom x 1)
Handle		Side x 2
Material, Finish, Color		Plastic, Black
Dimensions (W×H×D)		455mm x 700mm x 378mm (17.9" x 27.6" x 14.9") with rubber feet
Net Weight		17.7kg (39.0lbs)
Packaging		Single
Optional Accessories		BBS251, BCS251, BWS251-300, BWS251-400, SPCVR-1501

## Dimensions

Unit: mm (inch)



## Options

- Baton Bracket BBS251
- Ceiling Bracket BCS251
- Wall Bracket BWS251-300
- Wall Bracket BWS251-400
- Speaker Cover SPCVR-1501

## Architectural and Engineering Specifications

---

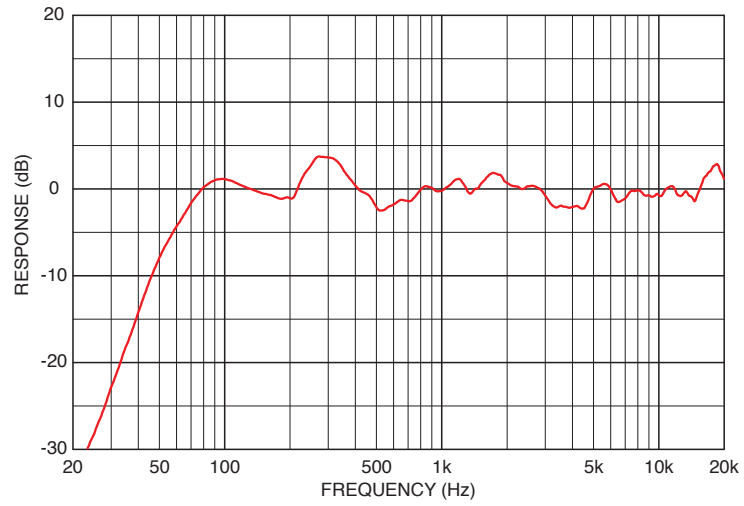
The Yamaha CBR15 Loudspeaker shall be a two-way bass-reflex type full-range loudspeaker system having a single 15" cone driver with a 2.5" voice coil for the low frequencies and a 1.4" compression driver with a 1" throat for the high frequencies.

The CBR15 Loudspeaker shall meet the following performance criteria: Sensitivity shall be 96dB SPL at 1 watt/1 meter, frequency response shall be 46Hz to 20kHz at 10dB below rated sensitivity, nominal coverage angle shall be 90° horizontal and 60° vertical via a constant directivity horn. Maximum power ratings shall be 250 watts noise, 500 watts program, and 1000 watts peak into 8 ohms.

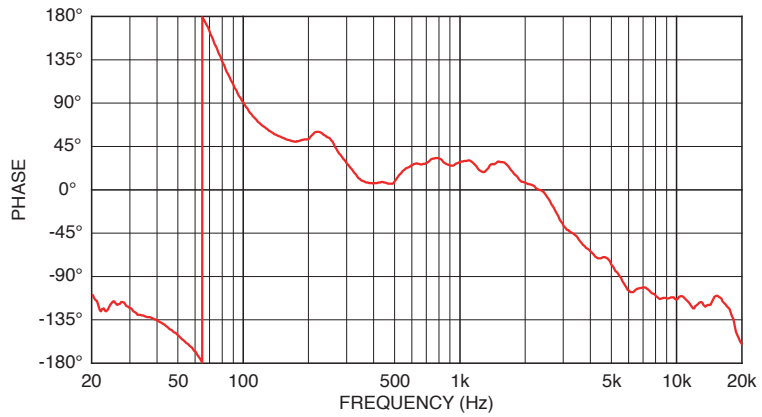
The loudspeaker shall have a 1/4" phone jack, and a SPEAKON Neutrik NL4MP connector for input. The cabinet shall be constructed of plastic and have handles. The cabinet shall also have threaded mounting points for M8 eyebolts (bottom x 2, rear x 1) and a 35 mm pole socket.

Dimensions shall be 455 (W) x 700 (H) x 378 (D) mm. Weight shall be no more than 17.7 kg.

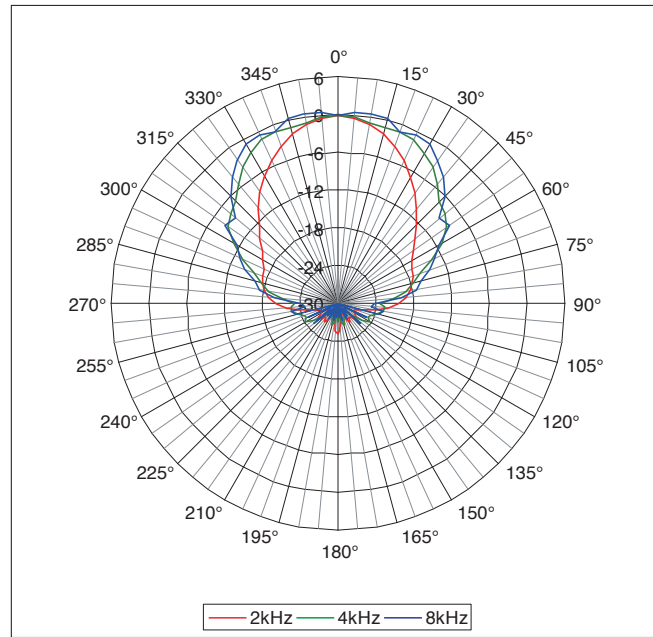
## Frequency Response



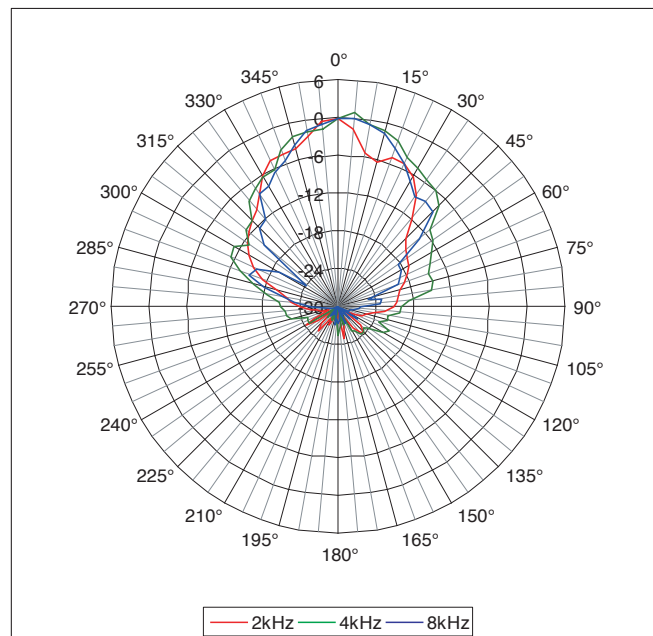
## Phase Response



## Horizontal Polar Plots



## Vertical Polar Plots



\*All information subject to change without notice.

\*All trademarks and registered trademarks are property of their respective owners.

Created in March, 2017

YAMAHA CORPORATION  
P.O.BOX 1, Hamamatsu Japan  
[www.yamahaproaudio.com](http://www.yamahaproaudio.com)