



T&S BRASS AND BRONZE WORKS, INC.

2 Saddleback Cove / P.O. Box 1088
Travelers Rest, SC 29690

Model No.

S-1230

Item No.

Travelers Rest, SC: 800-476-4103 • Simi Valley, CA: 800-423-0150 • Fax: 864-834-3518 • www.tsbrass.com

This Space for Architect/Engineer Approval

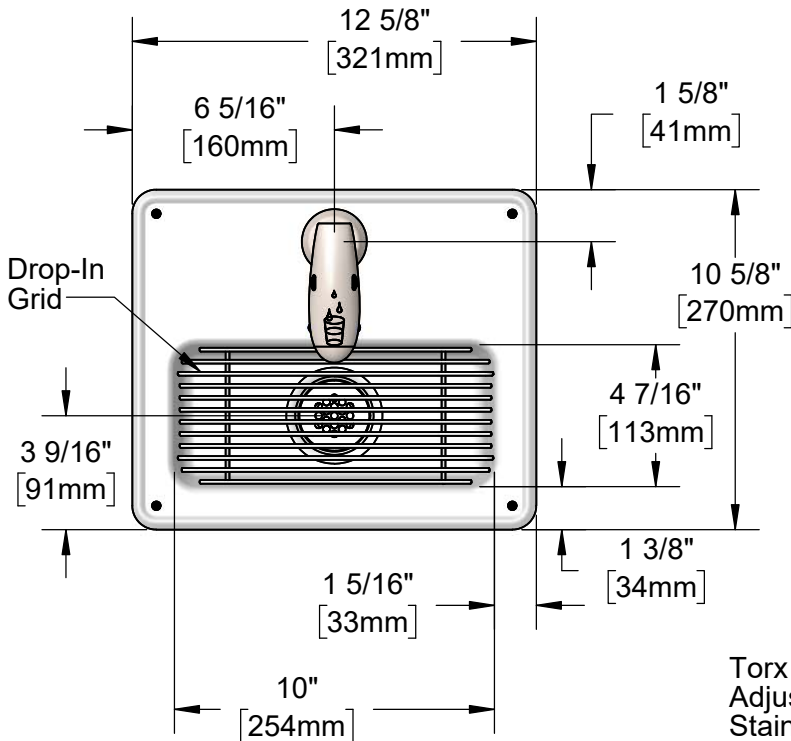
Job Name _____ Date _____

Model Specified _____ Quantity _____

Customer/Wholesaler _____

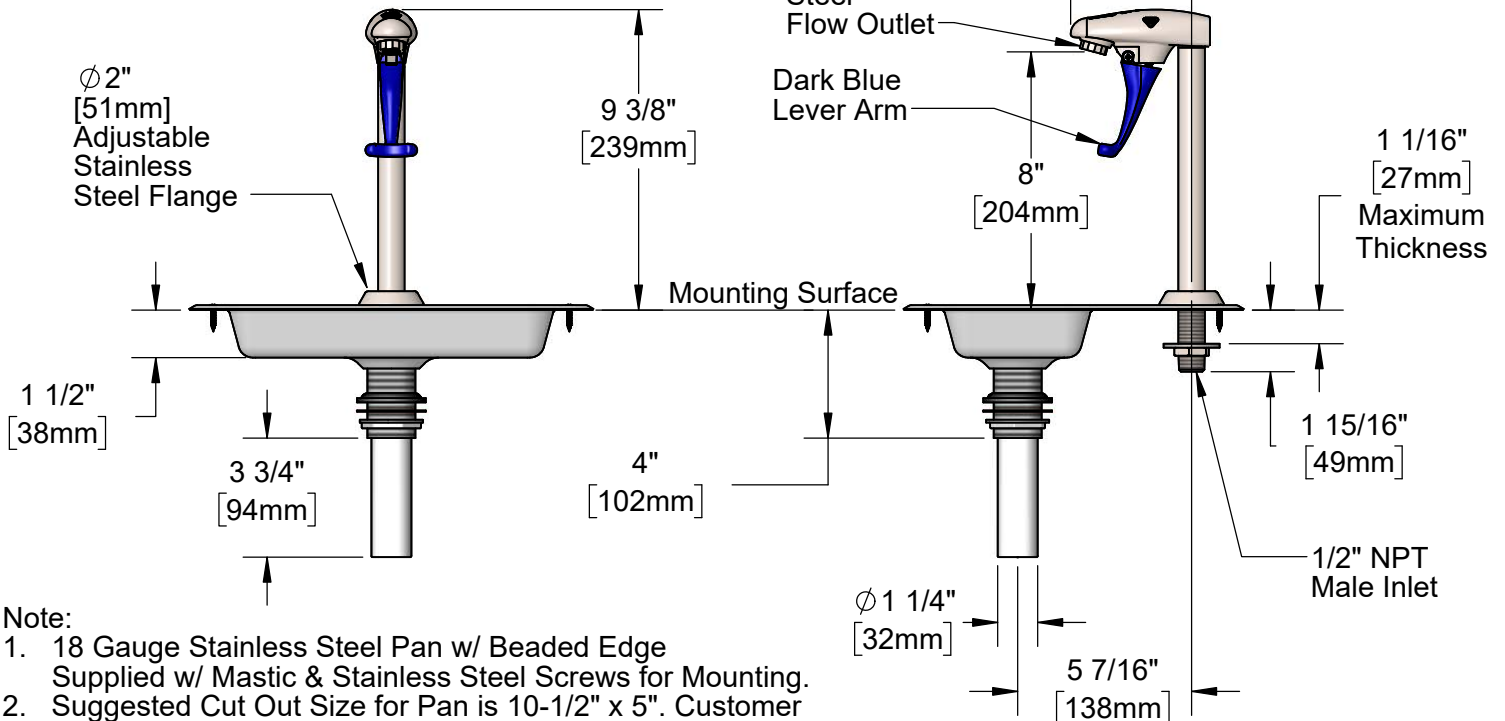
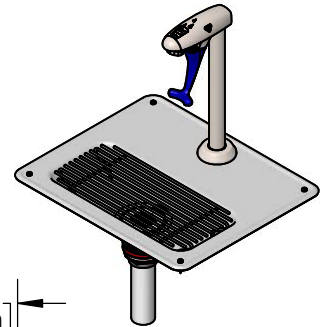
Contractor _____

Architect/Engineer _____



ADA Compliant

EVERSTEEL



Note:

1. 18 Gauge Stainless Steel Pan w/ Beaded Edge Supplied w/ Mastic & Stainless Steel Screws for Mounting.
2. Suggested Cut Out Size for Pan is 10-1/2" x 5". Customer to Verify Actual Cut Out Needed Prior to Installation.

Product Specifications:

Deck Mount Stainless Steel Water Station w/ Pedestal Type Stainless Steel Glass Filler, 18 Gauge Stainless Steel Drip Pan & 1 1/4" Drain

Product Compliance:

ASME A112.18.1 / CSA B125.1
NSF 61 - Section 9
NSF 372 (Low Lead Content)
ANSI A117.1 (ADA)



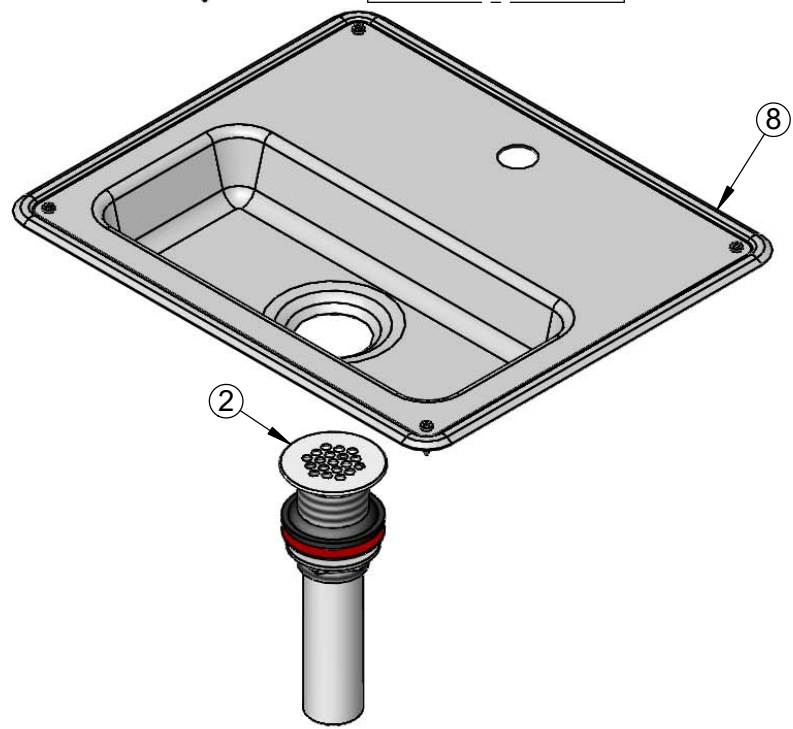
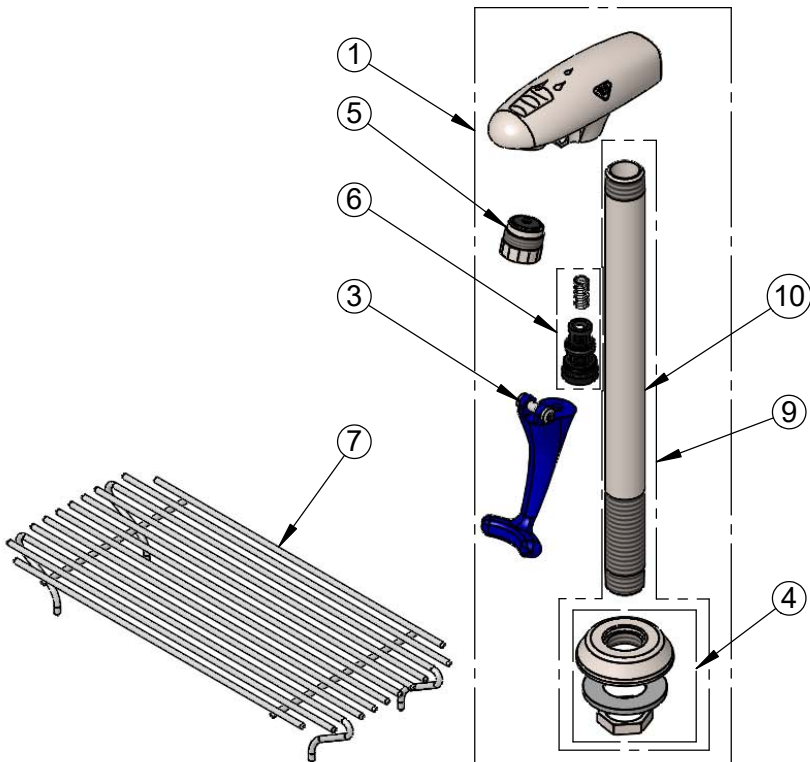
T&S BRASS AND BRONZE WORKS, INC.
 2 Saddleback Cove / P.O. Box 1088
 Travelers Rest, SC 29690

Model No.
S-1230

Item No.

Travelers Rest, SC: 800-476-4103 • Simi Valley, CA: 800-423-0150 • Fax: 864-834-3518 • www.tsbrass.com

ITEM NO.	SALES NO.	DESCRIPTION
1	S-1210	8" Pedestal SS Glass Filler
2	010126-45	Drip Pan Drain
3	015550-45	Lever Arm Repair Kit
4	S016783-30	Adjustable SS Slip Deck Flange w/ Delrin
5	S015588-30	Adjustable SS Outlet w/ Torx Wrench
6	015589-40	Valve Repair Kit
7	183F	Drip Pan Grid
8	010123-45	Drip Pan
9	S015887-30	Stainless Steel Pedestal
10	S015886-30	SS Pedestal 8" x 1/2 NPT Male Thread



Product Specifications:
 Deck Mount Stainless Steel Water Station w/ Pedestal Type Stainless Steel Glass Filler, 18 Gauge Stainless Steel Drip Pan & 1 1/4" Drain

Product Compliance:
 ASME A112.18.1 / CSA B125.1
 NSF 61 - Section 9
 NSF 372 (Low Lead Content)
 ANSI A117.1 (ADA)