



# T&S BRASS AND BRONZE WORKS, INC.

2 Saddleback Cove / P.O. Box 1088  
Travelers Rest, SC 29690

Model No.

**EX-1DMP06-H**

Item No.

Travelers Rest, SC: 800-476-4103 • Simi Valley, CA: 800-423-0150 • Fax: 864-834-3518 • www.tsbrass.com

This Space for Architect/Engineer Approval

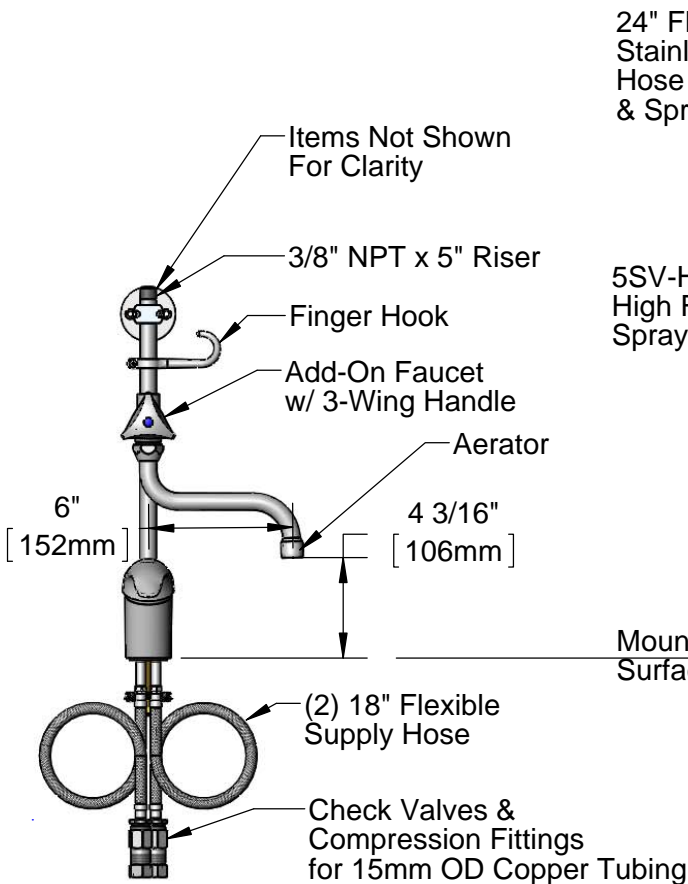
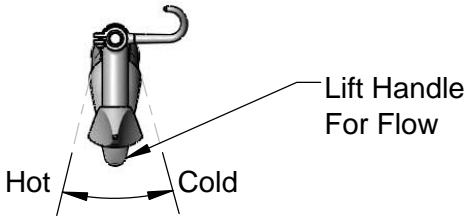
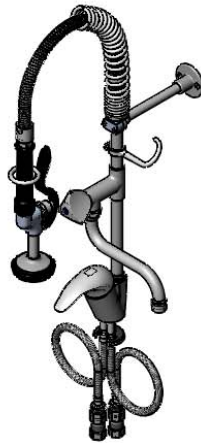
Job Name \_\_\_\_\_ Date \_\_\_\_\_

Model Specified \_\_\_\_\_ Quantity \_\_\_\_\_

Customer/Wholesaler \_\_\_\_\_

Contractor \_\_\_\_\_

Architect/Engineer \_\_\_\_\_



24" Flexible Stainless Steel Hose w/ Spring & Spray Valve

5SV-H High Flow Spray Valve

013716-40 6" Wall Bracket

7 3/8" [188mm]

24 5/8" [625mm]

2 1/4" [58mm]

3/8" NPT x 7" Riser

5 5/16" [134mm]

Mounting Surface

Color Coded Index

1 7/16" [37mm] Maximum Thickness

Ø 1 7/8" [48mm]

Rough-in Requirement:  
Ø1 1/2" [38mm] Mounting Hole

Product Specifications:  
Mini Pre-Rinse Unit: Single Lever Deck Mount Faucet, Add-On Faucet, 6" Swing Nozzle, 5" & 7" Risers, 24" Flexible Stainless Steel Hose, High Flow Spray Valve, 6" Wall Bracket & 18" Flexible Supply Hoses w/ Check Valves

Product Compliance:



# T&S BRASS AND BRONZE WORKS, INC.

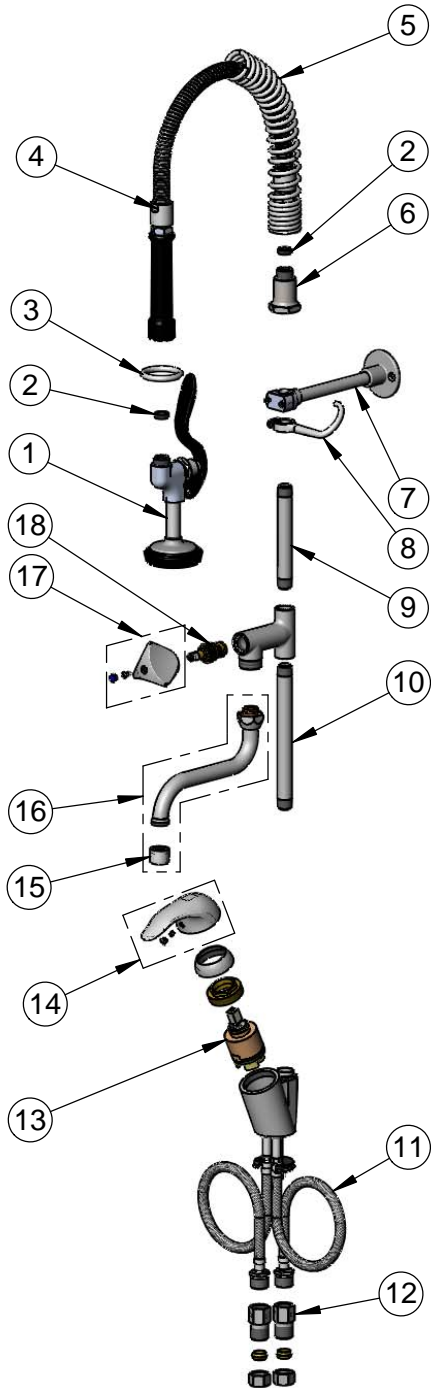
2 Saddleback Cove / P.O. Box 1088  
Travelers Rest, SC 29690

Model No.

**EX-1DMP06-H**

Item No.

Travelers Rest, SC: 800-476-4103 • Simi Valley, CA: 800-423-0150 • Fax: 864-834-3518 • www.tsbrass.com



ITEM NO.	SALES NO.	DESCRIPTION
1	5SV-H	equip High Flow Spray Valve
2	010476-45	#27 Washer
3	000907-45	Spray Valve Hold Down Ring
4	5HSE44	equip 44" Flexible Stainless Steel Hose
5	016795-45	Compact Spring
6	000821-40	Spring Body
7	013716-40	6" Wall Bracket
8	004R	Finger Hook
9	000361-40	Nipple, 3/8" NPT x 5"
10	000363-40	Nipple, 3/8" NPT x 7"
11	012436-45	15mm Flexible Connector Hose (2)
12	016047-25	Check Valve Adapter
13	019215-45	40mm S/L Ceramic Cartridge (Tall)
14	019313-45	Single Lever Handle, Less Logo
15	EU-0199-M22-FFA	Full Flow Aerator, M22 x 1 Female
16	019474-45	6" Submarine Nozzle w/ Full Flow Aerator
17	019251-45	3 Wing Handle w/ Color Coded Indexes and Screw
18	019254-45	Cold RTC Ceramic Cartridge

**Product Specifications:**

Mini Pre-Rinse Unit: Single Lever Deck Mount Faucet, Add-On Faucet, 6" Swing Nozzle, 5" & 7" Risers, 24" Flexible Stainless Steel Hose, High Flow Spray Valve, 6" Wall Bracket & 18" Flexible Supply Hoses w/ Check Valves

**Product Compliance:**