



T&S BRASS AND BRONZE WORKS, INC.
 2 Saddleback Cove / P.O. Box 1088
 Travelers Rest, SC 29690

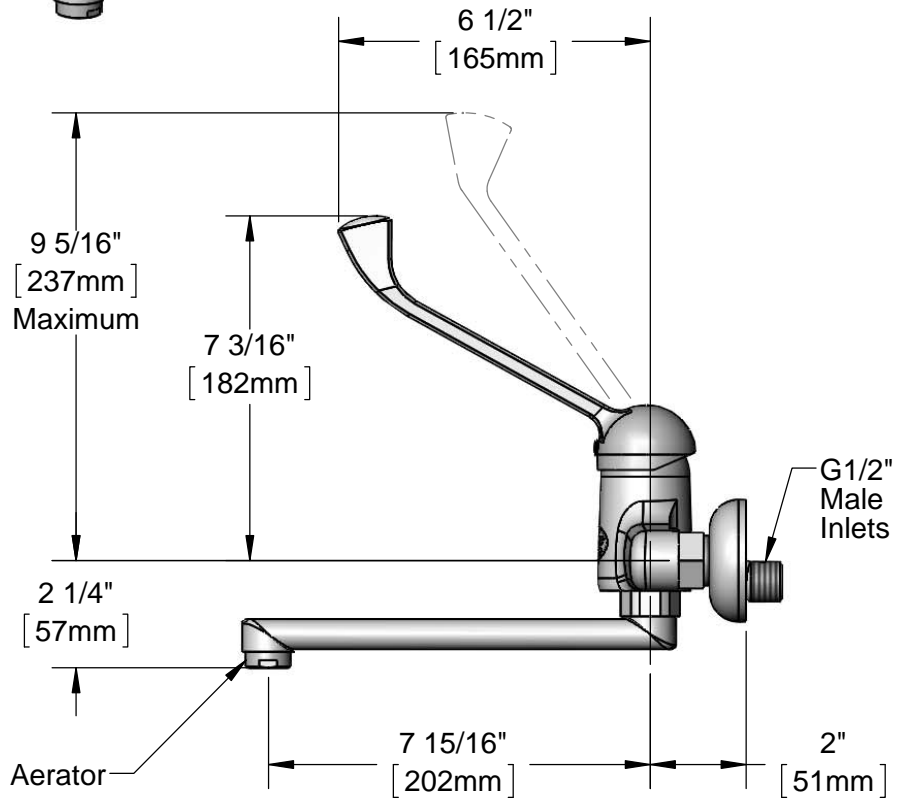
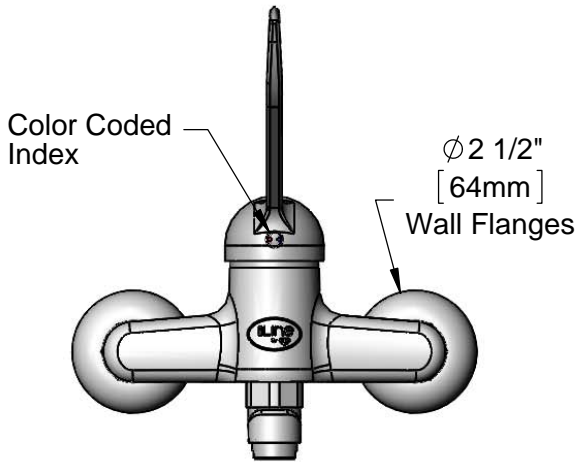
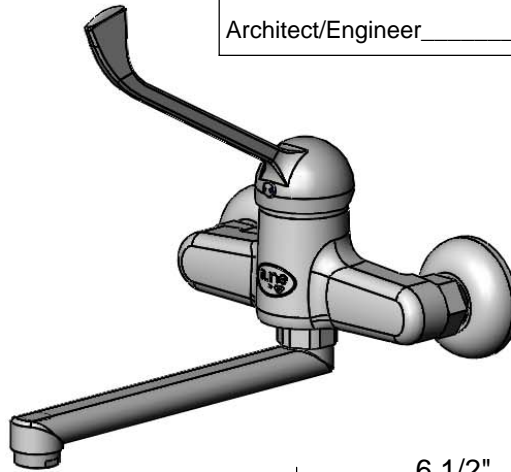
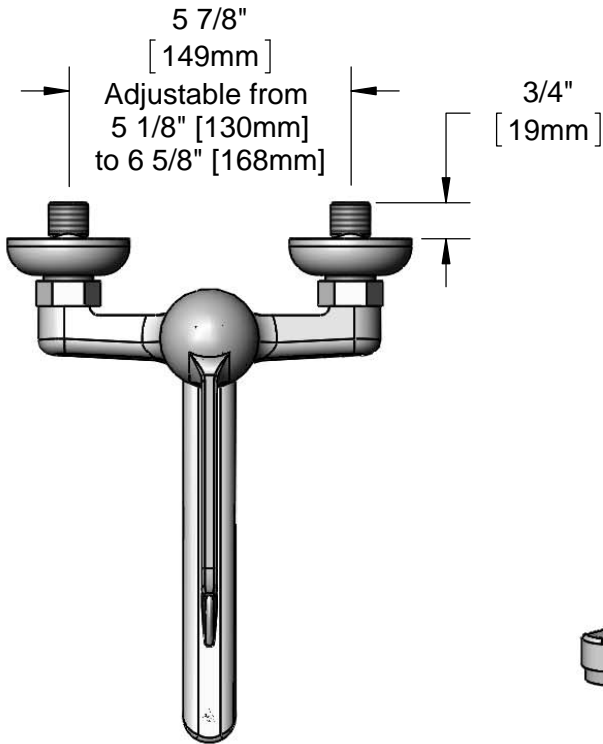
Model No.
EA-6WF08-LH

Item No.

Travelers Rest, SC: 800-476-4103 • Simi Valley, CA: 800-423-0150 • Fax: 864-834-3518 • www.tsbrass.com

This Space for Architect/Engineer Approval

Job Name _____ Date _____
 Model Specified _____ Quantity _____
 Customer/Wholesaler _____
 Contractor _____
 Architect/Engineer _____



Rough-In Requirement:
 (2) \varnothing 1" [25mm] Mounting Holes

Product Specifications:
Single Lever Wall Mount Submarine Faucet w/ 8" Swing Nozzle & Long Handle

Drawn DMH	Checked KJG	Approved JHB
---------------------	-----------------------	------------------------

Scale: 1:4	Date: 07/24/15
----------------------	--------------------------



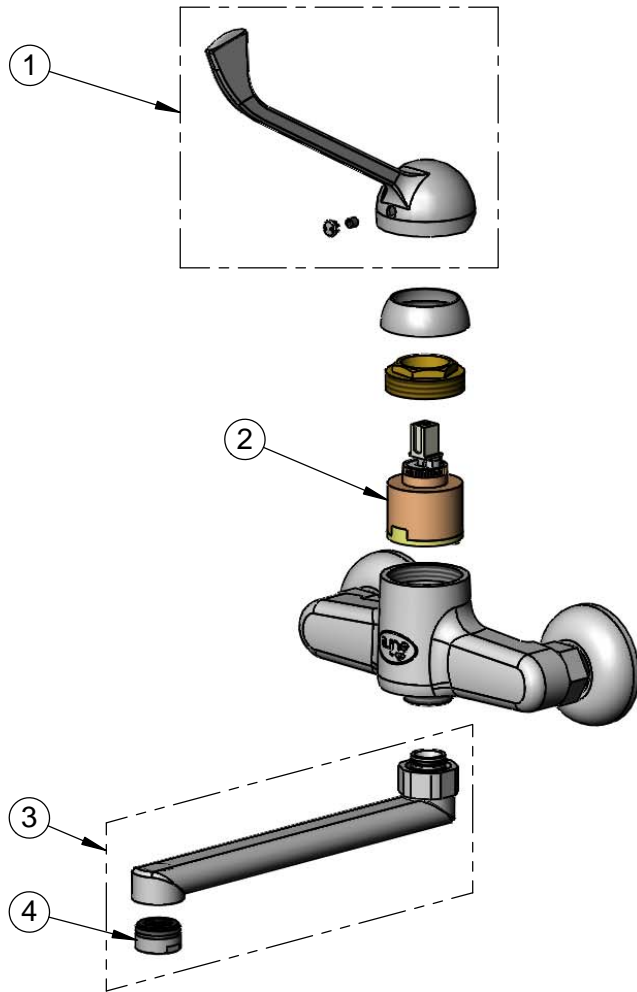
T&S BRASS AND BRONZE WORKS, INC.
 2 Saddleback Cove / P.O. Box 1088
 Travelers Rest, SC 29690

Model No.
EA-6WF08-LH

Item No.

Travelers Rest, SC: 800-476-4103 • Simi Valley, CA: 800-423-0150 • Fax: 864-834-3518 • www.tsbrass.com

ITEM NO.	SALES NO.	DESCRIPTION
1	019243-45	Extended Lever Handle w/ Index & Screw
2	019242-45	40mm S/L Ceramic Cartridge (Short)
3	019303-45	8" Submarine Swing Nozzle
4	EU-0199-M24-FFA	Full Flow Aerator, M24x1 Male



Product Specifications:
 Single Lever Wall Mount Submarine Faucet w/ 8" Swing Nozzle & Long Handle

Drawn DMH	Checked KJG	Approved JHB
---------------------	-----------------------	------------------------

Scale: NTS	Date: 07/24/15
----------------------	--------------------------