



**T&S BRASS AND BRONZE WORKS, INC.**  
 2 Saddleback Cove / P.O. Box 1088  
 Travelers Rest, SC 29690

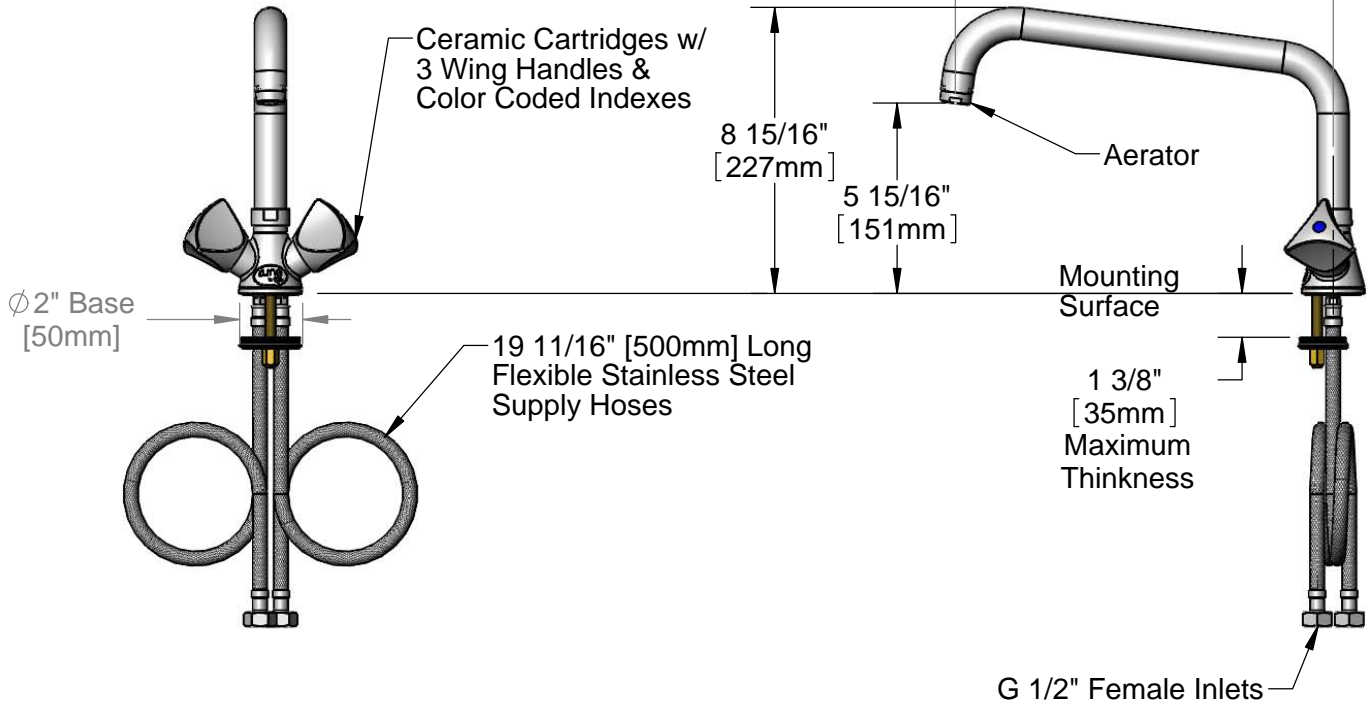
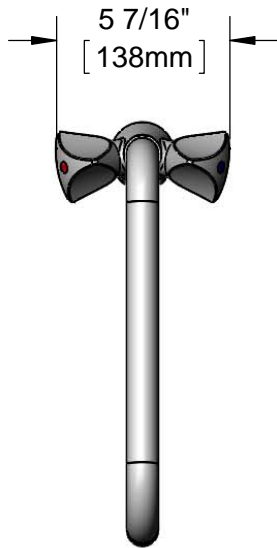
Model No.  
**EA-2DF12-150**

Item No.

Travelers Rest, SC: 800-476-4103 • Simi Valley, CA: 800-423-0150 • Fax: 864-834-3518 • www.tsbrass.com

This Space for Architect/Engineer Approval

Job Name \_\_\_\_\_ Date \_\_\_\_\_  
 Model Specified \_\_\_\_\_ Quantity \_\_\_\_\_  
 Customer/Wholesaler \_\_\_\_\_  
 Contractor \_\_\_\_\_  
 Architect/Engineer \_\_\_\_\_



Rough-In Requirement:  
 $\phi$  1 1/2" [38mm] Hole

Product Specifications:  
 Single Hole Deck Mount Mixing Faucet, 3 Wing Handles, 12" Swing Nozzle,  
 Flexible Stainless Steel Hoses & 150mm Clearance

Drawn <b>DMH</b>	Checked <b>KJG</b>	Approved <b>JHB</b>
Scale: <b>1:6</b>		Date: <b>07/24/15</b>



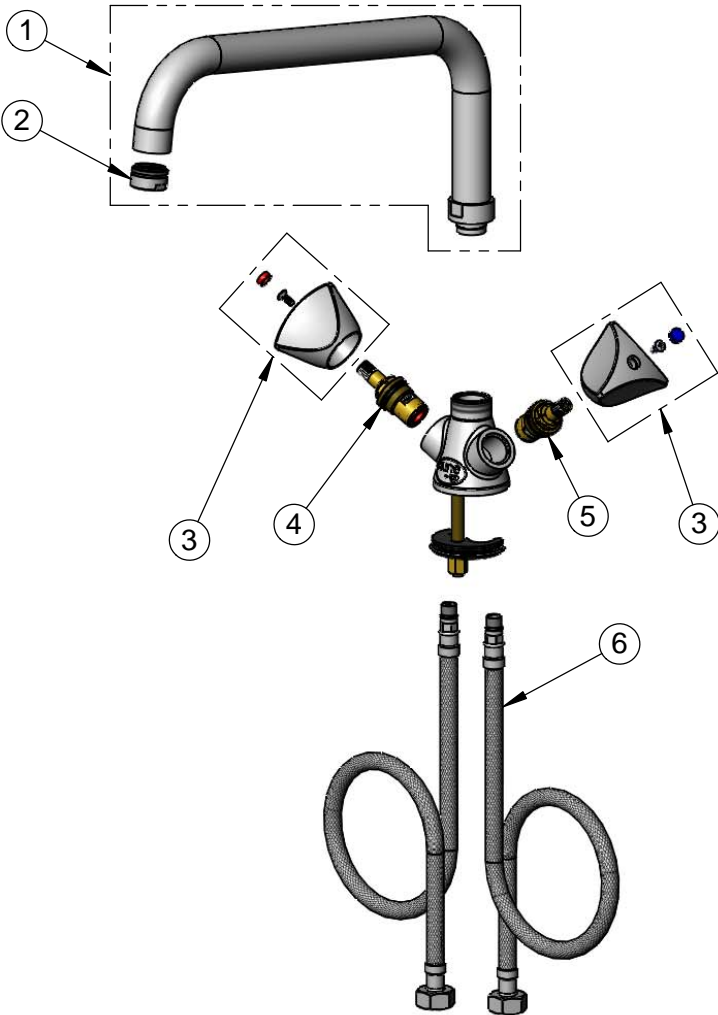
**T&S BRASS AND BRONZE WORKS, INC.**  
 2 Saddleback Cove / P.O. Box 1088  
 Travelers Rest, SC 29690

Model No.  
**EA-2DF12-150**

Item No.

Travelers Rest, SC: 800-476-4103 • Simi Valley, CA: 800-423-0150 • Fax: 864-834-3518 • www.tsbrass.com

ITEM NO.	SALES NO.	DESCRIPTION
1	018103-45	12" Swing Nozzle, EA-2DF12-150
2	EU-0199-M24-FFA	Full Flow Aerator, M24x1 Male
3	019251-45	3 Wing Handle w/ Color Coded Indexes and Screw
4	019255-45	Hot Ceramic Cartridge
5	019254-45	Cold RTC Ceramic Cartridge
6	018104-45	Flexible Connector Hose (2)



Product Specifications:  
 Single Hole Deck Mount Mixing Faucet, 3 Wing Handles, 12" Swing Nozzle,  
 Flexible Stainless Steel Hoses & 150mm Clearance

Drawn <b>DMH</b>	Checked <b>KJG</b>	Approved <b>JHB</b>
Scale: <b>NTS</b>		Date: <b>07/24/15</b>