



T&S BRASS AND BRONZE WORKS, INC.
 2 Saddleback Cove / P.O. Box 1088
 Travelers Rest, SC 29690

Model No.
CEF-1DS

Item No.

Travelers Rest, SC: 800-476-4103 • Simi Valley, CA: 800-423-0150 • Fax: 864-834-3518 • www.tsbrass.com

This Space for Architect/Engineer Approval

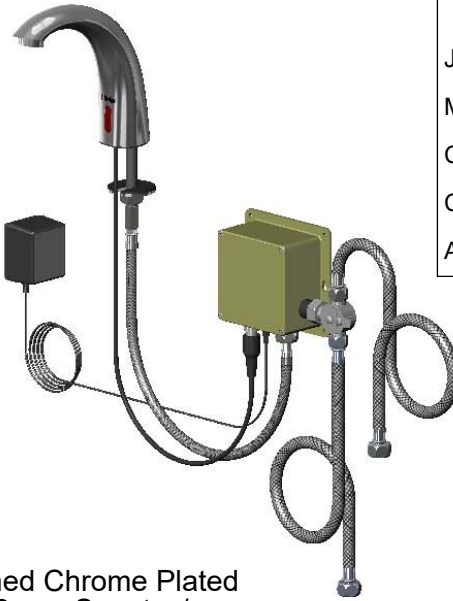
Job Name _____ Date _____

Model Specified _____ Quantity _____

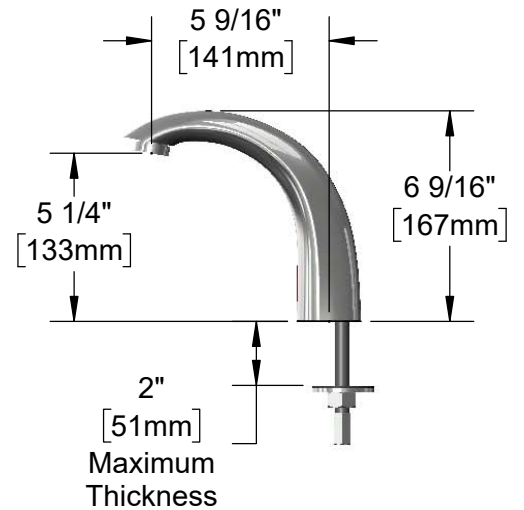
Customer/Wholesaler _____

Contractor _____

Architect/Engineer _____



Polished Chrome Plated
 Cast Brass Spout w/
 Vandal Resistant 2.2 GPM
 Aerator



Control Module Box w/
 Integral Inlet Filter.
 AC or DC Powered.
 (4) AA Batteries Included.

4 3/4" [120mm]

4 15/16" [125mm]

Mechanical Temperature
 Mixing Valve

Flexible Supply Hoses
 w/ G 1/2" Female Inlets

100-240 VAC Adapter w/
 I.E.C. Type I Plug and
 53" [1350mm] Long Cord

Rough-In Requirement:
 Ø 1 1/4" [32mm] Mounting Hole

Product Specifications:
 Single Hole Deck Mount Sensor Faucet w/ Cast Spout, VR 2.2 GPM Aerator,
 Control Module, AC/DC Transformer, Mechanical Mixing Valve and G 1/2"
 Flexible Supply Hoses

Product Compliance:



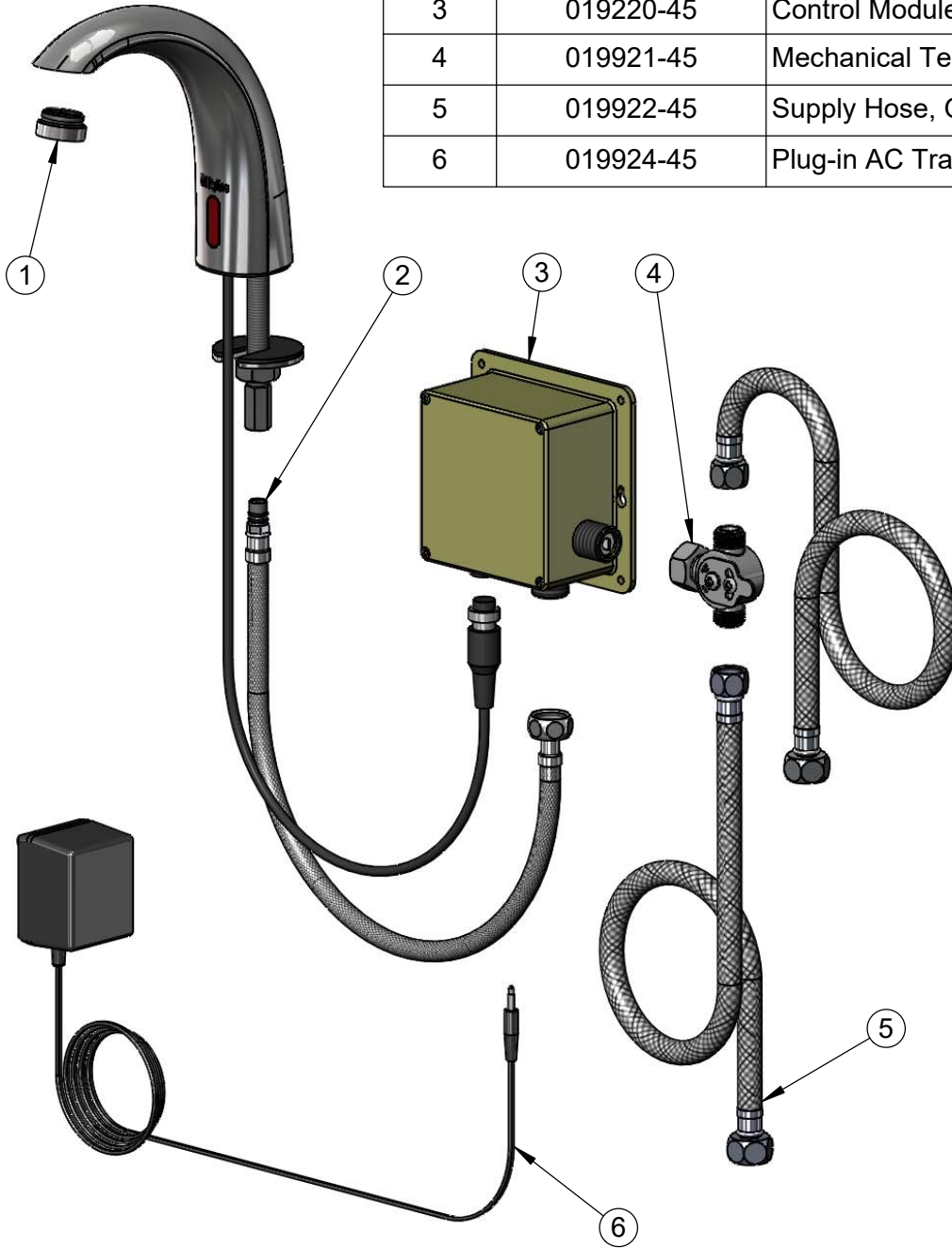
T&S BRASS AND BRONZE WORKS, INC.
 2 Saddleback Cove / P.O. Box 1088
 Travelers Rest, SC 29690

Model No.
CEF-1DS

Item No.

Travelers Rest, SC: 800-476-4103 • Simi Valley, CA: 800-423-0150 • Fax: 864-834-3518 • www.tsbrass.com

ITEM NO.	SALES NO.	DESCRIPTION
1	EU-0199-M24-V22	VR 2.2 GPM Aerator, M24x1 Male
2	019926-45	Flexible Connector Hose
3	019220-45	Control Module
4	019921-45	Mechanical Temperature Mixing Valve
5	019922-45	Supply Hose, G 3/8" x G 1/2" Connections
6	019924-45	Plug-in AC Transformer



Product Specifications:

Single Hole Deck Mount Sensor Faucet w/ Cast Spout, VR 2.2 GPM Aerator, Control Module, AC/DC Transformer, Mechanical Mixing Valve and G 1/2" Flexible Supply Hoses

Product Compliance: