



T&S BRASS AND BRONZE WORKS, INC.
 2 Saddleback Cove / P.O. Box 1088
 Travelers Rest, SC 29690

Model No.
CEF-1DS-ST-VF05

Item No.

Travelers Rest, SC: 800-476-4103 • Simi Valley, CA: 800-423-0150 • Fax: 864-834-3518 • www.tsbrass.com

This Space for Architect/Engineer Approval

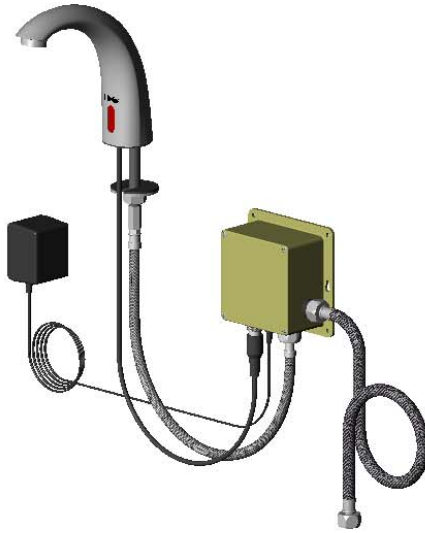
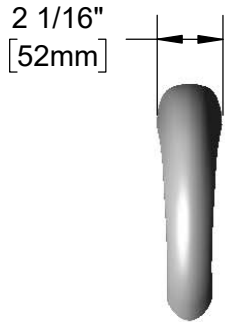
Job Name _____ Date _____

Model Specified _____ Quantity _____

Customer/Wholesaler _____

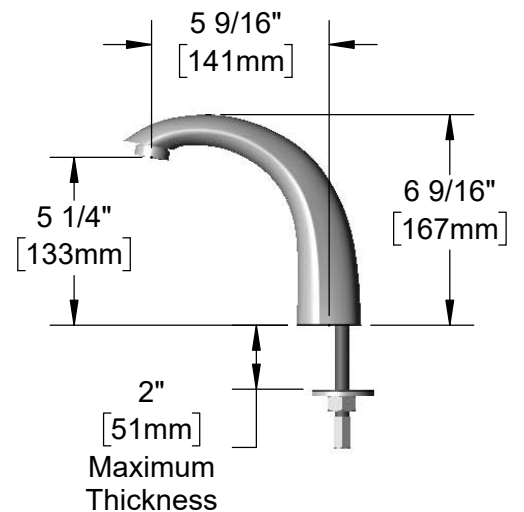
Contractor _____

Architect/Engineer _____



Polished Chrome Plated
 Cast Brass Spout w/
 Vandal Resistant 0.5 GPM
 Non-Aerated Spray Device

Control Module Box w/
 Integral Inlet Filter.
 AC or DC Powered.
 (4) AA Batteries Included.



4 3/4"
 [120mm]

4 15/16"
 [125mm]

100-240 VAC Adapter w/
 I.E.C. Type A Plug and
 53" [1350mm] Long Cord

Flexible Supply Hose
 w/ G 1/2" Female Inlet

Rough-In Requirement:
 ϕ 1 1/4" [32mm] Mounting Hole

Product Specifications:
 Single Hole, Single Temperature, Deck Mount Sensor Faucet w/ Cast Spout,
 VR 0.5 GPM Non-Aerated Spray Device, Control Module, AC/DC
 Transformer and G 1/2" Flexible Supply Hose

Product Compliance:



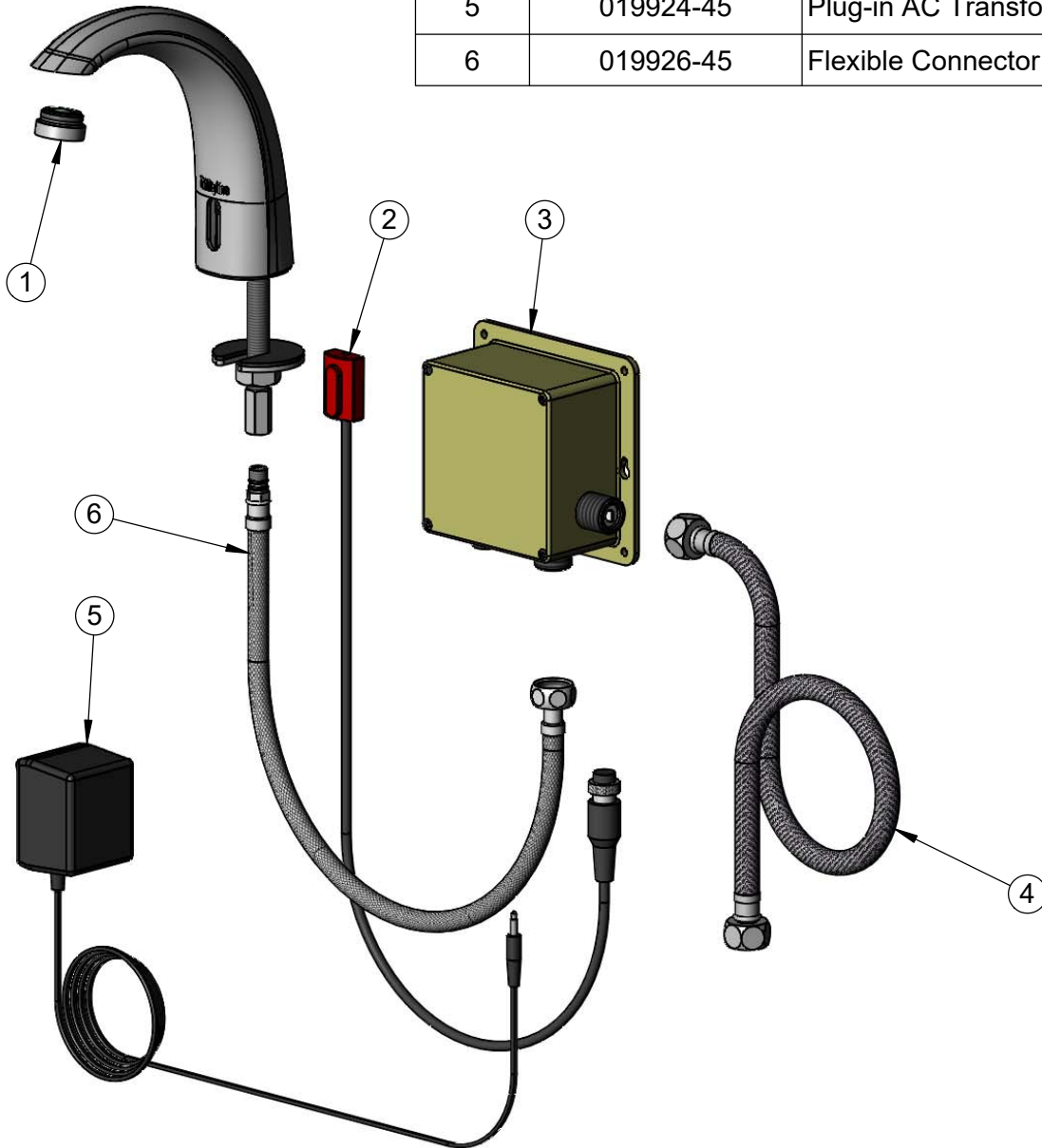
T&S BRASS AND BRONZE WORKS, INC.
 2 Saddleback Cove / P.O. Box 1088
 Travelers Rest, SC 29690

Model No.
CEF-1DS-ST-VF05

Item No.

Travelers Rest, SC: 800-476-4103 • Simi Valley, CA: 800-423-0150 • Fax: 864-834-3518 • www.tsbrass.com

ITEM NO.	SALES NO.	DESCRIPTION
1	EU-0199-M24-V05	VR 0.5 GPM Spray Device, M24x1 Male
2	020377-45	Sensor Cable
3	019920-45	Control Module
4	019927-45	Supply Hose, G 1/2" Connections
5	019924-45	Plug-in AC Transformer
6	019926-45	Flexible Connector Hose



Product Specifications:

Single Hole, Single Temperature, Deck Mount Sensor Faucet w/ Cast Spout, VR 0.5 GPM Non-Aerated Spray Device, Control Module, AC/DC Transformer and G 1/2" Flexible Supply Hose

Product Compliance: