



**T&S BRASS AND BRONZE WORKS, INC.**  
 2 Saddleback Cove / P.O. Box 1088  
 Travelers Rest, SC 29690

Model No.  
**CEF-1DG**

Item No.

Travelers Rest, SC: 800-476-4103 • Simi Valley, CA: 800-423-0150 • Fax: 864-834-3518 • www.tsbrass.com

This Space for Architect/Engineer Approval

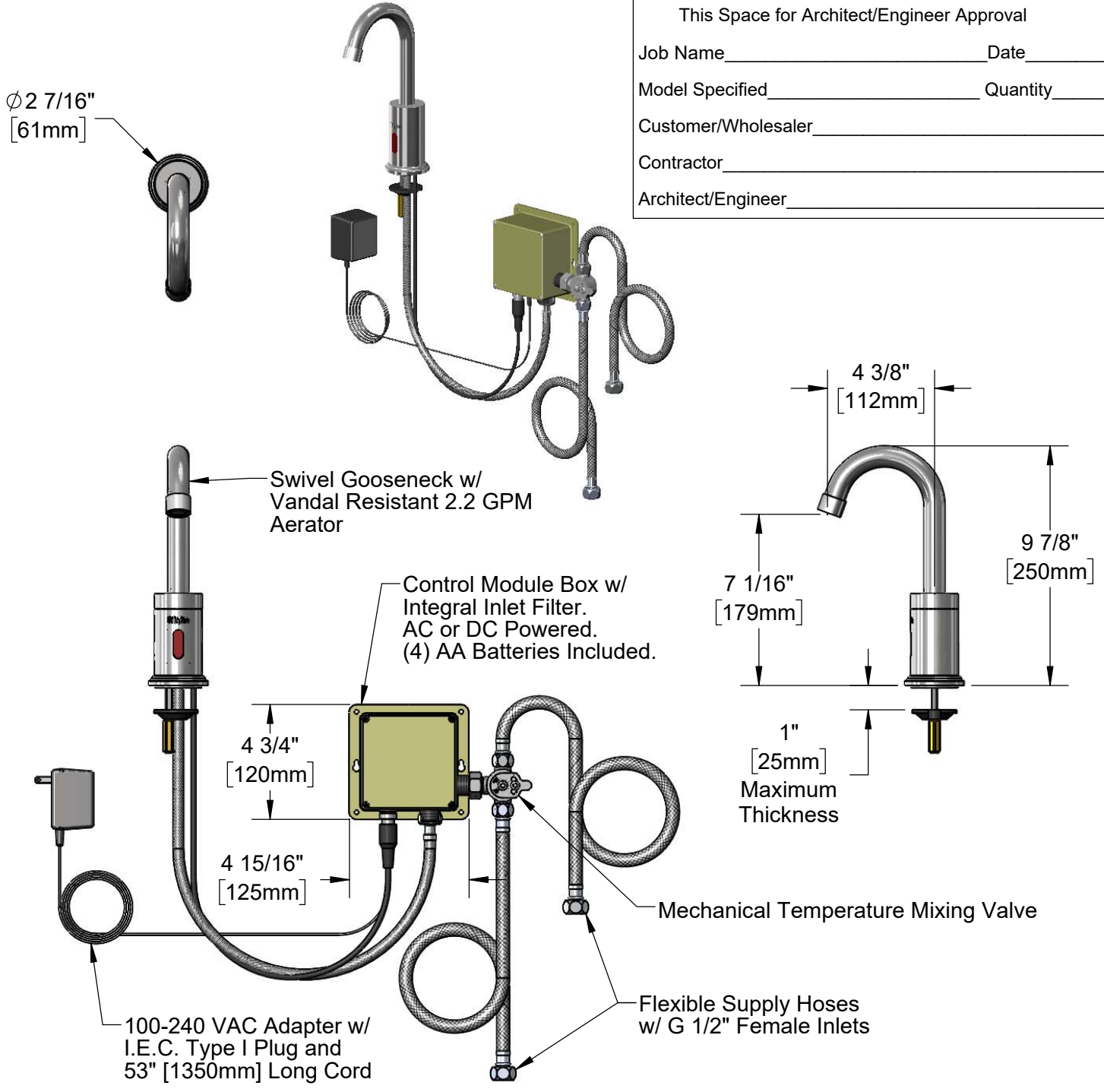
Job Name \_\_\_\_\_ Date \_\_\_\_\_

Model Specified \_\_\_\_\_ Quantity \_\_\_\_\_

Customer/Wholesaler \_\_\_\_\_

Contractor \_\_\_\_\_

Architect/Engineer \_\_\_\_\_



**Rough-In Requirement:**  
 $\phi 1 \frac{1}{4}$ " [32mm] Mounting Hole

**Product Specifications:**  
 Single Hole Deck Mount Sensor Faucet w/ Swivel Gooseneck, VR 2.2 GPM Aerator, Control Module, AC/DC Transformer, Mechanical Mixing Valve and G 1/2" Flexible Supply Hoses

**Product Compliance:**



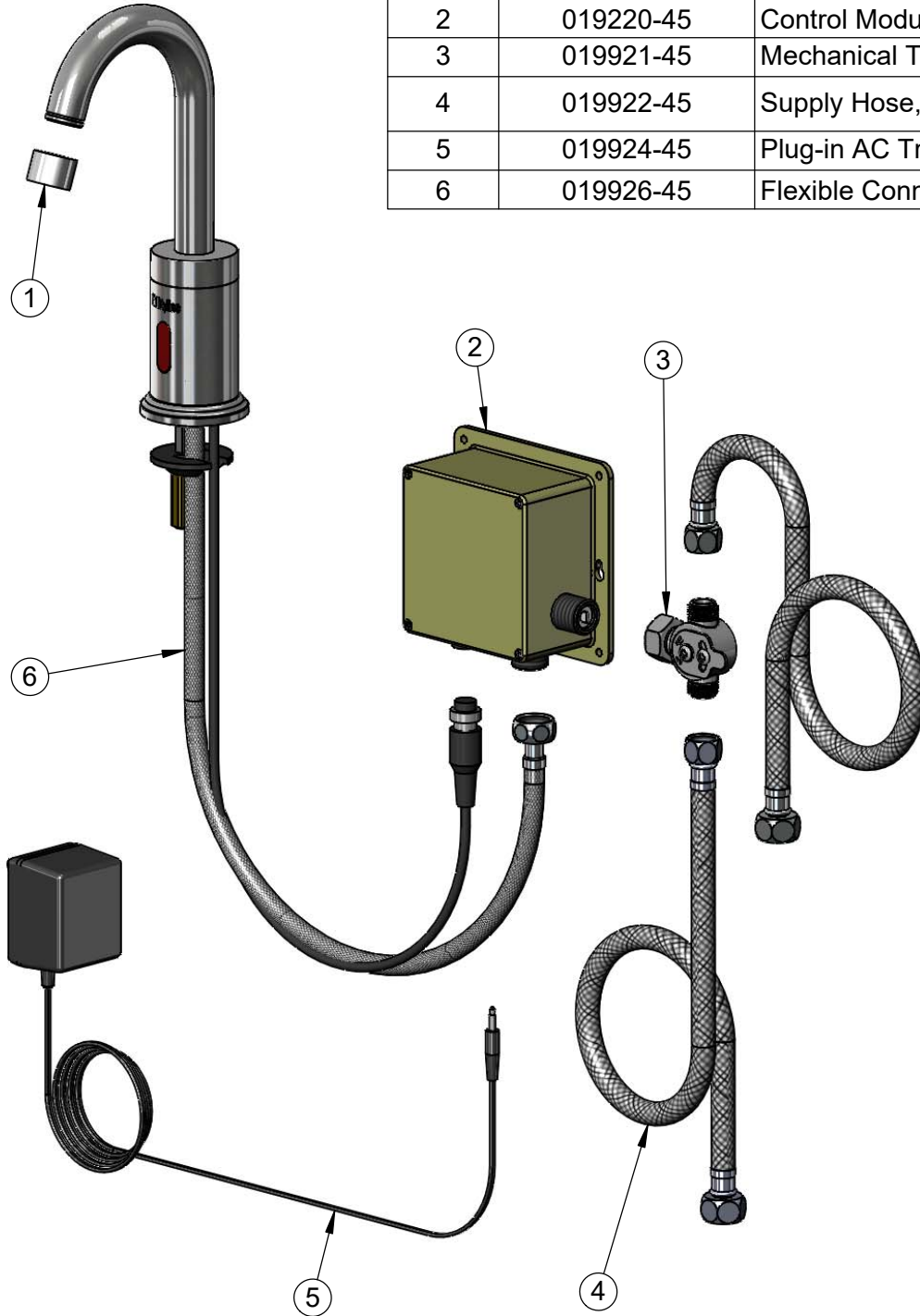
**T&S BRASS AND BRONZE WORKS, INC.**  
 2 Saddleback Cove / P.O. Box 1088  
 Travelers Rest, SC 29690

Model No.  
**CEF-1DG**

Item No.

Travelers Rest, SC: 800-476-4103 • Simi Valley, CA: 800-423-0150 • Fax: 864-834-3518 • www.tsbrass.com

ITEM NO.	SALES NO.	DESCRIPTION
1	EU-0199-M22-V22	VR 2.2 GPM Aerator, M22 x 1 Female
2	019220-45	Control Module
3	019921-45	Mechanical Temperature Mixing Valve
4	019922-45	Supply Hose, G 3/8" x G 1/2" Connections
5	019924-45	Plug-in AC Transformer
6	019926-45	Flexible Connector Hose



**Product Specifications:**  
 Single Hole Deck Mount Sensor Faucet w/ Swivel Gooseneck, VR 2.2 GPM Aerator, Control Module, AC/DC Transformer, Mechanical Mixing Valve and G 1/2" Flexible Supply Hoses

**Product Compliance:**