



T&S BRASS AND BRONZE WORKS, INC.
 2 Saddleback Cove / P.O. Box 1088
 Travelers Rest, SC 29690

Model No.
CEF-1DG-VF05

Item No.

Travelers Rest, SC: 800-476-4103 • Simi Valley, CA: 800-423-0150 • Fax: 864-834-3518 • www.tsbrass.com

This Space for Architect/Engineer Approval

Job Name _____ Date _____

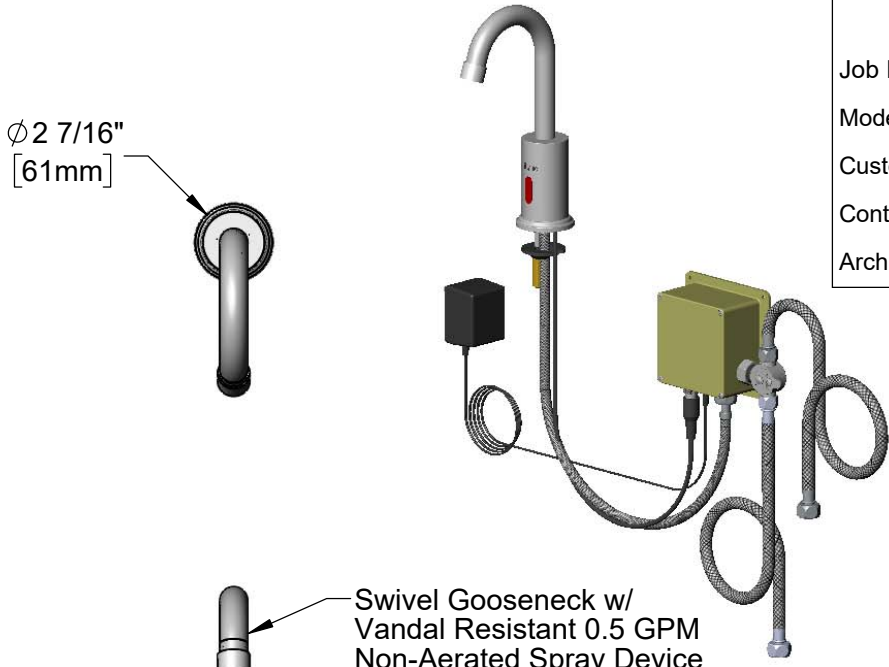
Model Specified _____ Quantity _____

Customer/Wholesaler _____

Contractor _____

Architect/Engineer _____

Ø 2 7/16"
 [61mm]



Swivel Gooseneck w/
 Vandal Resistant 0.5 GPM
 Non-Aerated Spray Device

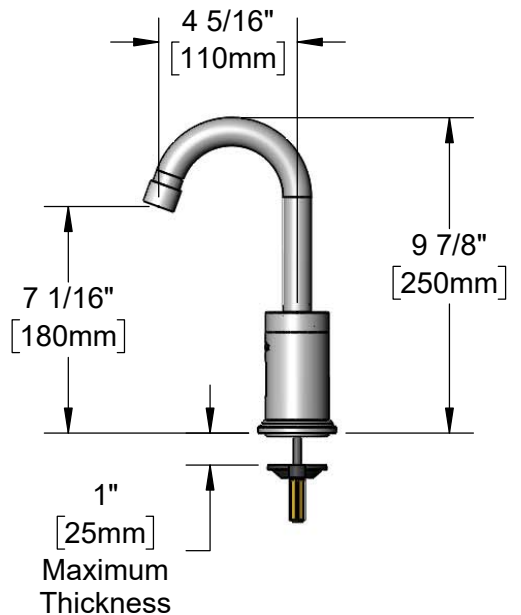
Control Module Box w/
 Integral Inlet Filter.
 AC or DC Powered.
 (4) AA Batteries Included.

4 3/4"
 [120mm]

4 15/16"
 [125mm]

100-240 VAC Adapter w/
 I.E.C. Type A Plug and
 53" [1350mm] Long Cord

Flexible Supply Hoses
 w/ G 1/2" Female Inlets



Rough-In Requirement:
 Ø 1 1/4" [32mm] Mounting Hole

Product Specifications:
 Single Hole Deck Mount Sensor Faucet w/ Swivel Gooseneck, VR 0.5 GPM
 Non-Aerated Spray Device, Control Module, AC/DC Transformer, Mechanical
 Mixing Valve and G 1/2" Flexible Supply Hoses

Product Compliance:



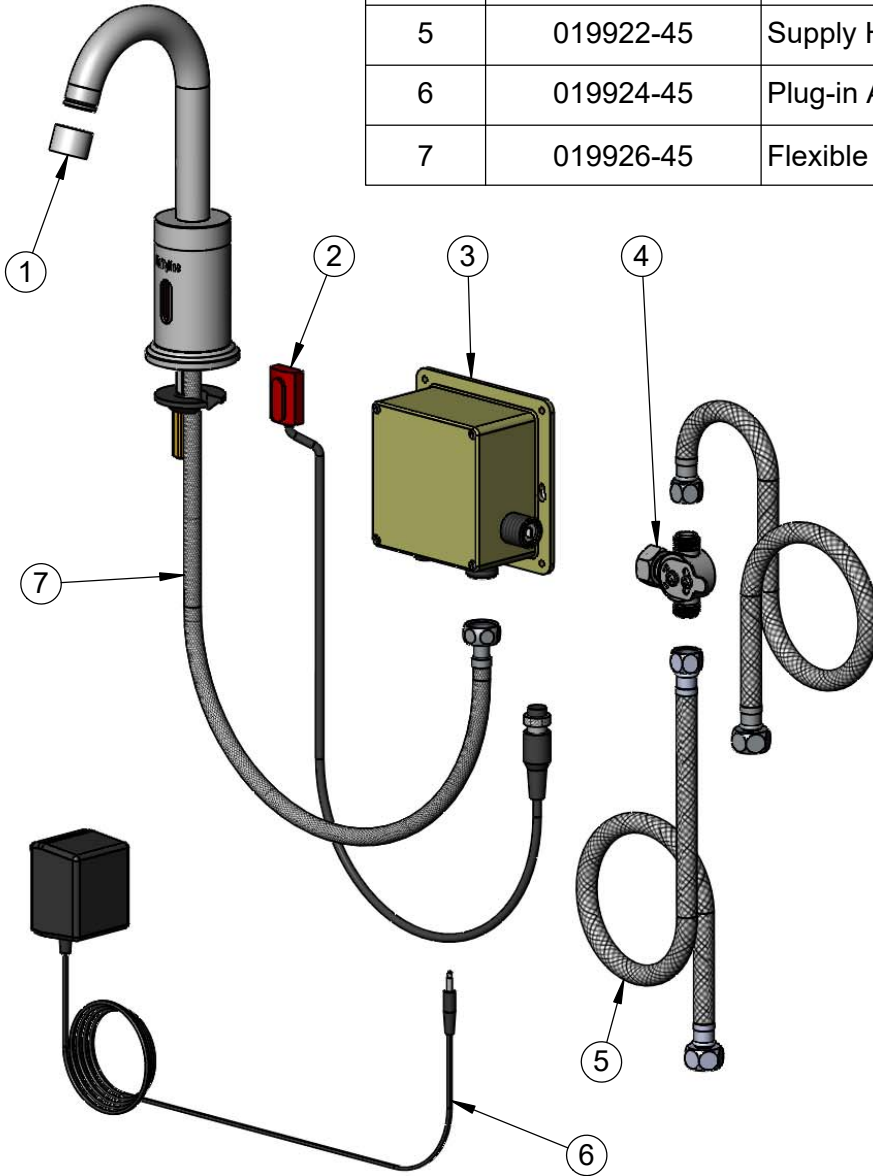
T&S BRASS AND BRONZE WORKS, INC.
 2 Saddleback Cove / P.O. Box 1088
 Travelers Rest, SC 29690

Model No.
CEF-1DG-VF05

Item No.

Travelers Rest, SC: 800-476-4103 • Simi Valley, CA: 800-423-0150 • Fax: 864-834-3518 • www.tsbrass.com

ITEM NO.	SALES NO.	DESCRIPTION
1	EU-0199-M22-V05	VR 0.5 GPM Spray Device, M22 x 1 Female
2	020377-45	Sensor Cable
3	019920-45	Control Module
4	019921-45	Mechanical Temperature Mixing Valve
5	019922-45	Supply Hose, G 3/8" x G 1/2" Connections
6	019924-45	Plug-in AC Transformer
7	019926-45	Flexible Connector Hose



Product Specifications:
 Single Hole Deck Mount Sensor Faucet w/ Swivel Gooseneck, VR 0.5 GPM Non-Aerated Spray Device, Control Module, AC/DC Transformer, Mechanical Mixing Valve and G 1/2" Flexible Supply Hoses

Product Compliance: