



T&S BRASS AND BRONZE WORKS, INC.

2 Saddleback Cove / P.O. Box 1088
Travelers Rest, SC 29690

Model No.

CEF-1DG-ST

Item No.

Travelers Rest, SC: 800-476-4103 • Simi Valley, CA: 800-423-0150 • Fax: 864-834-3518 • www.tsbrass.com

This Space for Architect/Engineer Approval

Job Name _____ Date _____

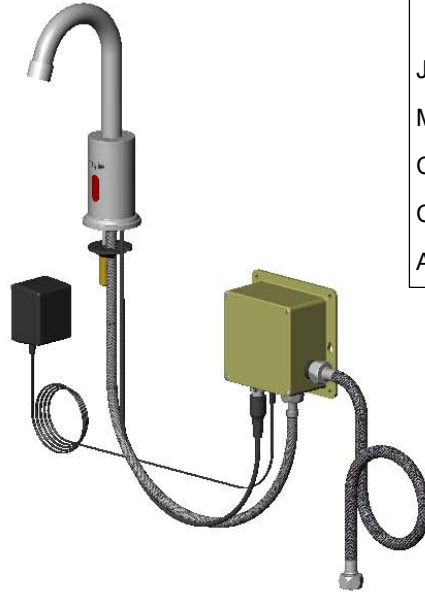
Model Specified _____ Quantity _____

Customer/Wholesaler _____

Contractor _____

Architect/Engineer _____

Ø 2 7/16"
[61mm]



Swivel Gooseneck w/
Vandal Resistant
2.2 GPM Aerator

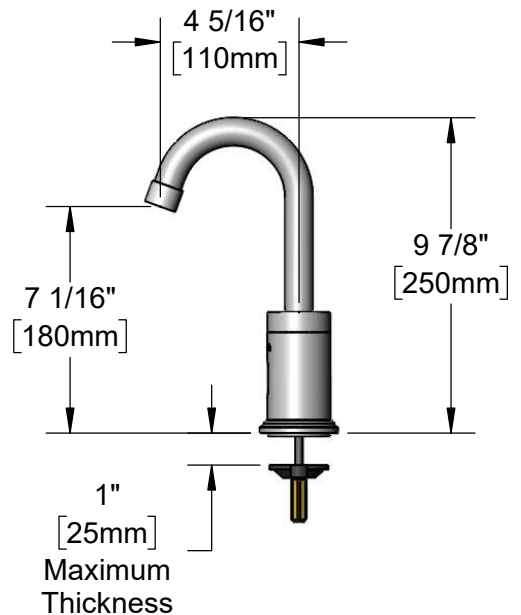
Control Module Box w/
Integral Inlet Filter.
AC or DC Powered.
(4) AA Batteries Included.

4 3/4"
[120mm]

4 15/16"
[125mm]

100-240 VAC Adapter w/
I.E.C. Type A Plug and
53" [1350mm] Long Cord

Flexible Supply Hose
w/ G 1/2" Female Inlet



Rough-In Requirement:
Ø 1 1/4" [32mm] Mounting Hole

Product Specifications:

Single Hole, Single Temperature, Deck Mount Sensor Faucet w/ Swivel Gooseneck, VR 2.2 GPM Aerator, Control Module, AC/DC Transformer and G 1/2" Flexible Supply Hose

Product Compliance:



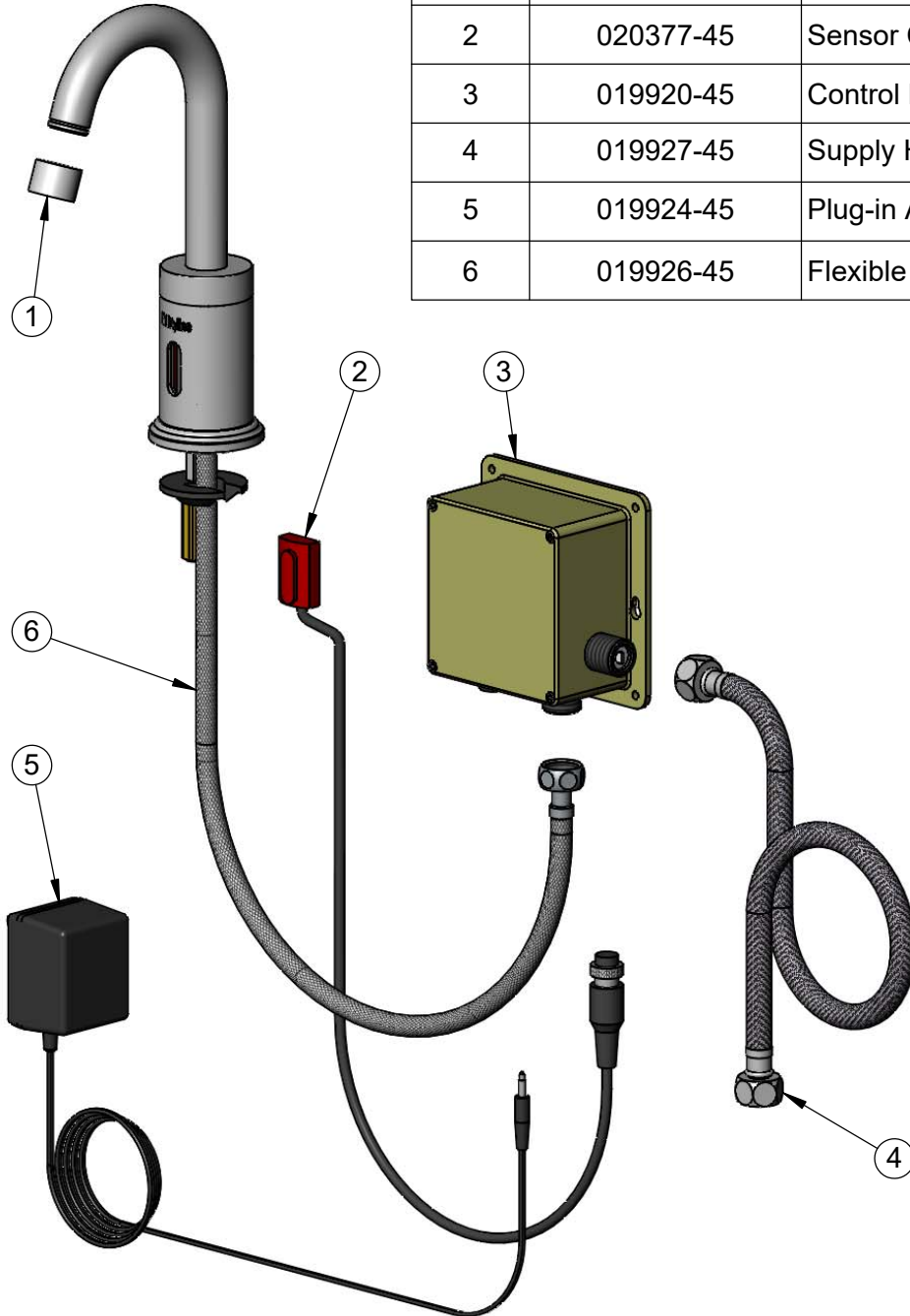
T&S BRASS AND BRONZE WORKS, INC.
 2 Saddleback Cove / P.O. Box 1088
 Travelers Rest, SC 29690

Model No.
CEF-1DG-ST

Item No.

Travelers Rest, SC: 800-476-4103 • Simi Valley, CA: 800-423-0150 • Fax: 864-834-3518 • www.tsbrass.com

ITEM NO.	SALES NO.	DESCRIPTION
1	EU-0199-M22-V22	VR 2.2 GPM Aerator, M22 x 1 Female
2	020377-45	Sensor Cable
3	019920-45	Control Module
4	019927-45	Supply Hose, G 1/2" Connections
5	019924-45	Plug-in AC Transformer
6	019926-45	Flexible Connector Hose



Product Specifications:

Single Hole, Single Temperature, Deck Mount Sensor Faucet w/ Swivel Gooseneck, VR 2.2 GPM Aerator, Control Module, AC/DC Transformer and G 1/2" Flexible Supply Hose

Product Compliance: