



# T&S BRASS AND BRONZE WORKS, INC.

2 Saddleback Cove / P.O. Box 1088  
Travelers Rest, SC 29690

Model No.

**B-0296**

Item No.

Travelers Rest, SC: 800-476-4103 • Simi Valley, CA: 800-423-0150 • Fax: 864-834-3518 • www.tsbrass.com



**ADA Compliant**

This Space for Architect/Engineer Approval

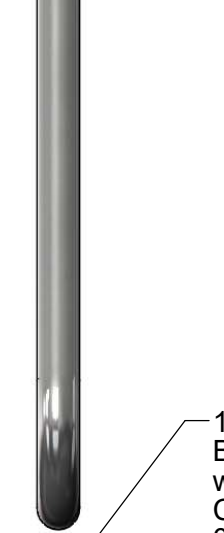
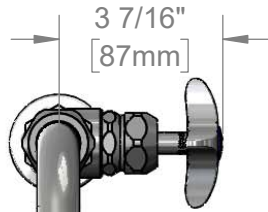
Job Name \_\_\_\_\_ Date \_\_\_\_\_

Model Specified \_\_\_\_\_ Quantity \_\_\_\_\_

Customer/Wholesaler \_\_\_\_\_

Contractor \_\_\_\_\_

Architect/Engineer \_\_\_\_\_



114X  
Big-Flo 12" Swing Nozzle  
w/ Plain End Outlet.  
Converts to Rigid w/  
016807-45  
Lock Washer (Included)

Swivel  
Joint

Big-Flo Cartridges &  
4-Arm Handle w/  
Blue Color Coded  
Index

1 7/16"  
[37mm]

2 7/16"  
[61mm]

12"  
[305mm]

8 5/16"  
[212mm]

12"  
[305mm]

Mounting Surface

5/8"  
[16mm]  
Maximum  
Thickness

Ø 2" [51mm]  
Flange w/  
1/2" NPT  
Male Inlet

Rough-In Requirement:  
Ø 1" [25mm] Mounting Hole

**Product Specifications:**

Single Hole Single Temperature Big-Flo Faucet, 4-Arm Handle, Big-Flo 12" Swing Nozzle & 1/2" NPT Supply Nipple Kit

**Product Compliance:**

ASME A112.18.1 / CSA B125.1  
NSF 61 - Section 9  
NSF 372 (Low Lead Content)  
ANSI A117.1 (ADA)



# T&S BRASS AND BRONZE WORKS, INC.

2 Saddleback Cove / P.O. Box 1088  
Travelers Rest, SC 29690

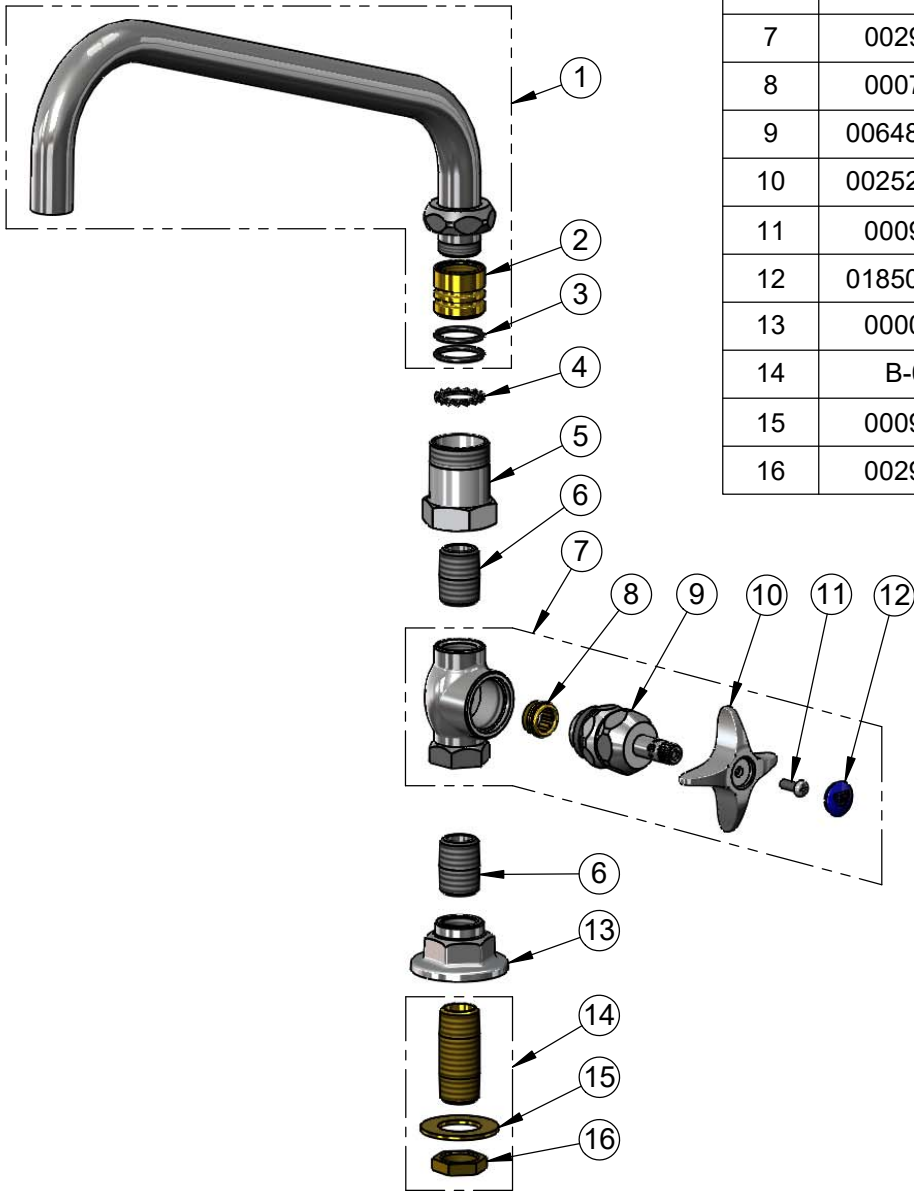
Model No.

**B-0296**

Item No.

Travelers Rest, SC: 800-476-4103 • Simi Valley, CA: 800-423-0150 • Fax: 864-834-3518 • www.tsbrass.com

ITEM NO.	SALES NO.	DESCRIPTION
1	114X	12" Big-Flo Swing Nozzle
2	000847-20	Big-Flo Swivel Piece
3	001068-45	O-ring
4	016807-45	Serrated Lock Washer
5	000594-25	Swivel Body x 1/2-14 NPT
6	002534-25	Close Nipple, 1/2" NPT
7	002900-40	Valve Assembly w/ 4-Arm Handle
8	000764-20	Seat, Big-Flo
9	006482-40NS	Big-Flo Cartridge, RTC
10	002521-45NS	4-Arm Handle (New Style)
11	000925-45	Lab Handle Screw
12	018506-19NS	Blue Button Index, Press-in
13	000013-40	Flange, 1/2" NPT Wall Mount
14	B-0425	1/2" NPT Supply Nipple Kit
15	000999-45	Brass Lock Washer
16	002954-45	Shank Lock Nut



**Product Specifications:**

Single Hole Single Temperature Big-Flo Faucet, 4-Arm Handle, Big-Flo 12" Swing Nozzle & 1/2" NPT Supply Nipple Kit

**Product Compliance:**

ASME A112.18.1 / CSA B125.1  
NSF 61 - Section 9  
NSF 372 (Low Lead Content)  
ANSI A117.1 (ADA)