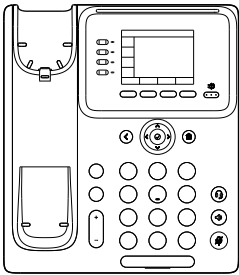


Poly CCX 350 Business Media Phone

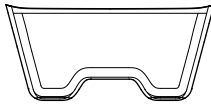


Package Contents

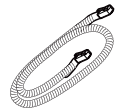
Poly CCX 350 Phone Console



Stand



Handset

Handset
Cord

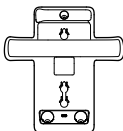
Setup Sheet



Network Cable



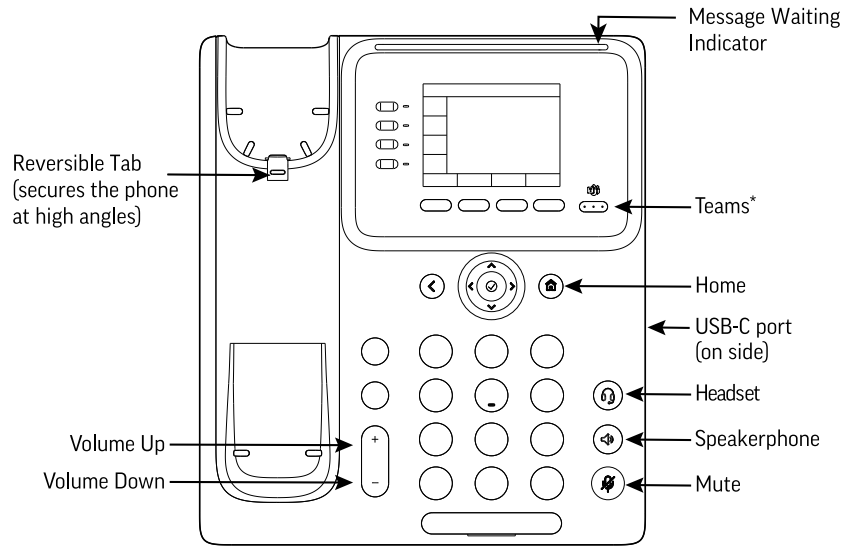
Optional Accessories

AC Power Adapter
(varies by region)

Wall Mount Bracket

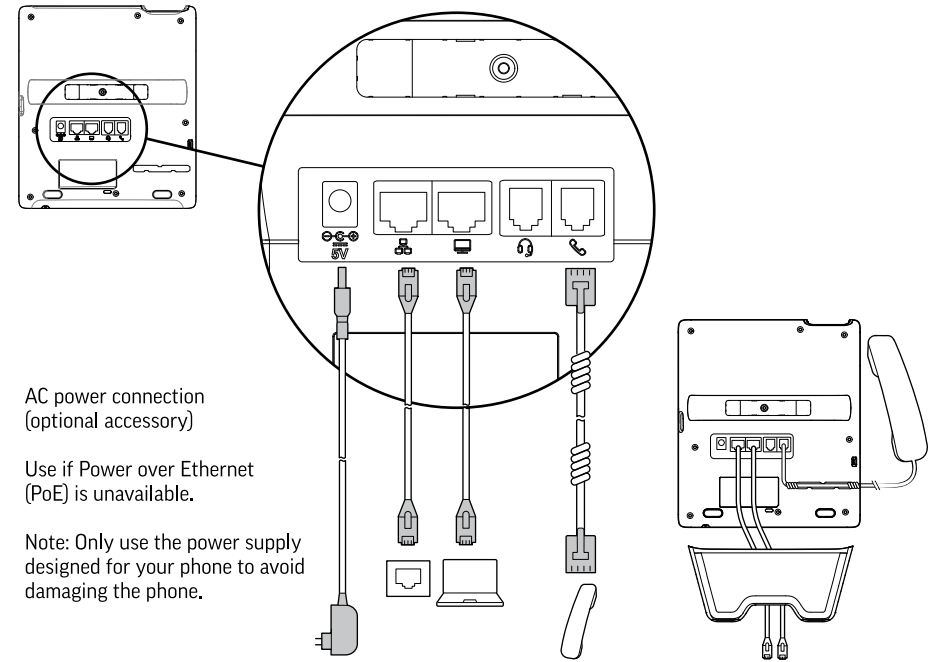
For more information on optional accessories, contact your reseller.

Features

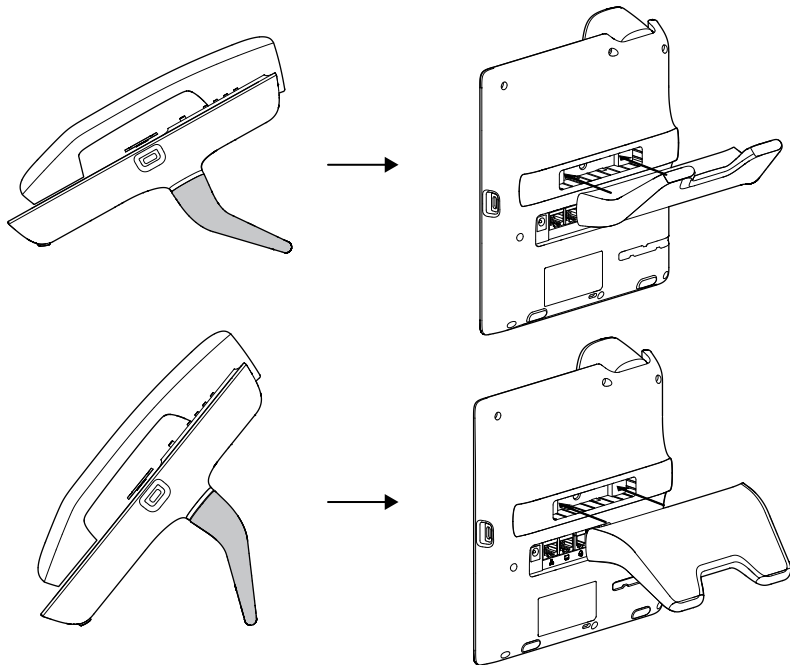


*The Microsoft Teams logo appears when the CCX 350 is running the Teams application. When running the Teams application, the Teams button returns you to the Teams **Home** screen.

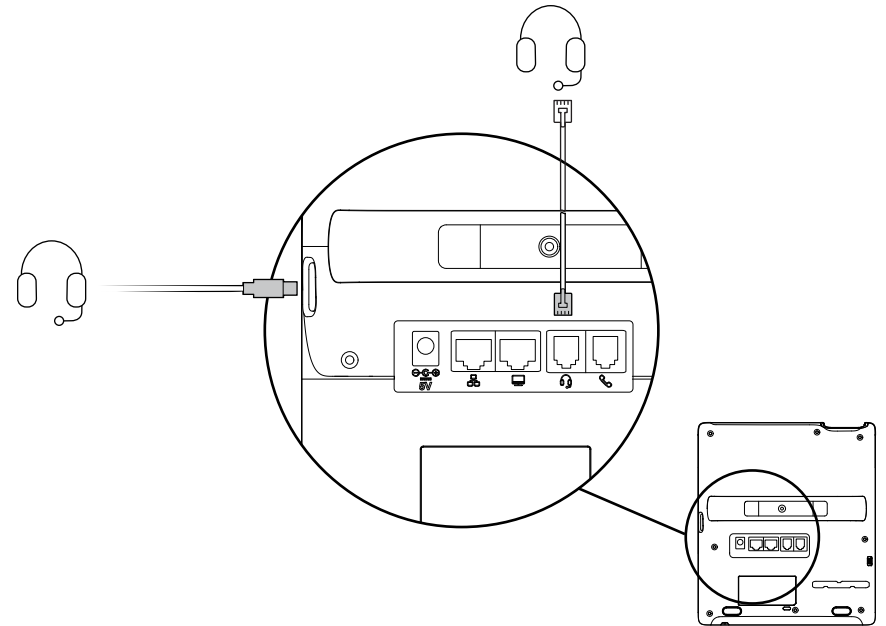
Connect Cables



Connect Desktop Stand



Connect Optional Headset





BY USING THIS PRODUCT, YOU ARE AGREEING TO THE TERMS OF THE END USER LICENSE AGREEMENT (EULA) AT: POLY END USER LICENSE AGREEMENT. IF YOU DO NOT AGREE TO THE TERMS OF THE EULA, DO NOT USE THE PRODUCT, AND YOU MAY RETURN IT IN THE ORIGINAL PACKAGING TO THE SELLER FROM WHOM YOU PURCHASED THE PRODUCT.

Refer to the Warranty information found at www.poly.com/support/ccx-350.

UKCA

UK representative: Plantronics Ltd, Building 4, Foundation Park, Cannon Lane, Part 1st Floor, Maidenhead, SL6 3UD

EU

EU representative: Plantronics, B.V. (Netherlands), Scorpius 171, 2132 LR Hoofddorp, Netherlands

ENERGY STAR®



Backlight intensity and timeout can be adjusted in basic user settings menu. By default, after the phone is idle for 40 seconds, the backlight dims. The backlight automatically turns on with any phone activity.



poly.com/support/ccx-350

© 2022 Poly. All trademarks are the property of their respective owners.

Contact Information:

Contact your authorized reseller for assistance.

www.poly.com

Poly, 345 Encinal Street Santa Cruz, California 95060

1725-49684-001A

