



QUICK START

POLY STUDIO X52 WITH DISPLAY CLAMP



poly.com/support/studio-x52/dc

MANAGEMENT SOFTWARE

POLY LENS

poly.com/lens

TOOL



CONTENTS



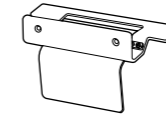
(2) M4 x 8 mm Flat Head Screw



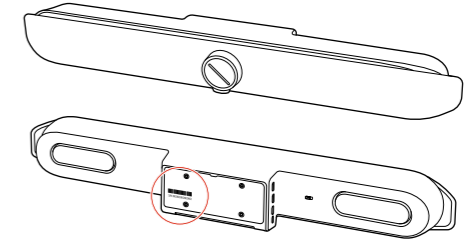
HDMI 2 m (6.6 ft)*



Ethernet Network Cable 4.6 m (15 ft)*



Display Clamp

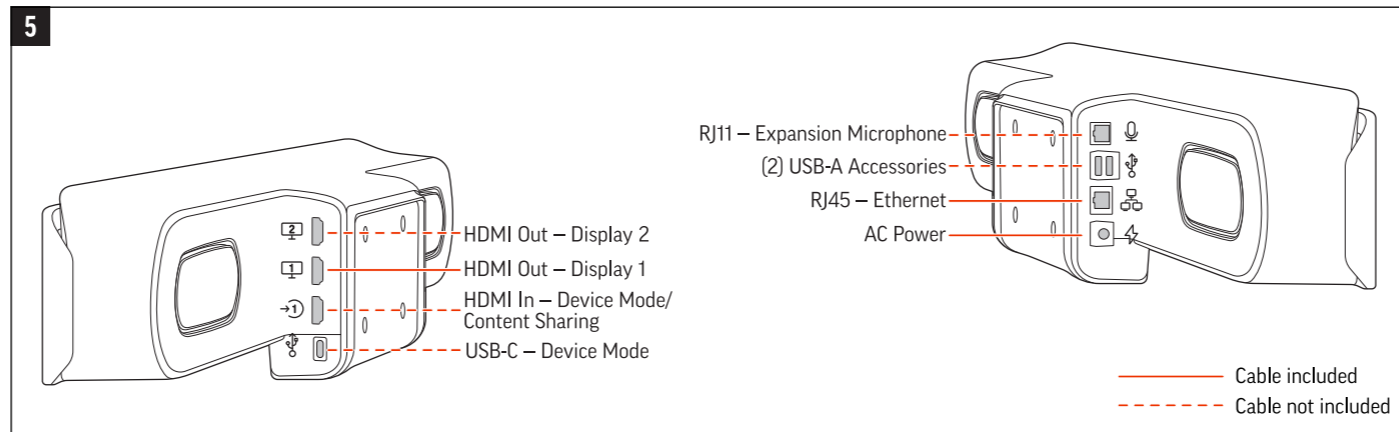
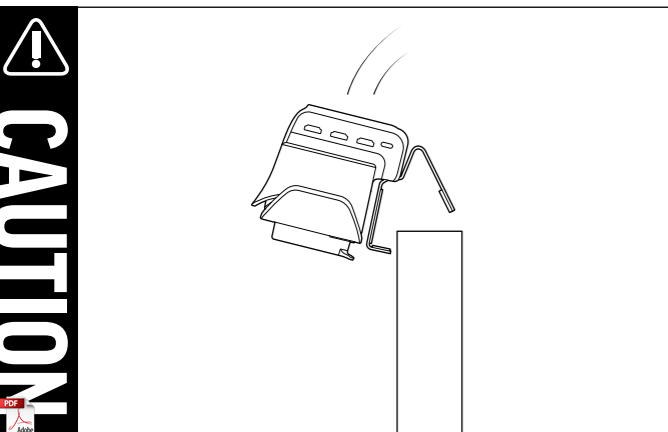
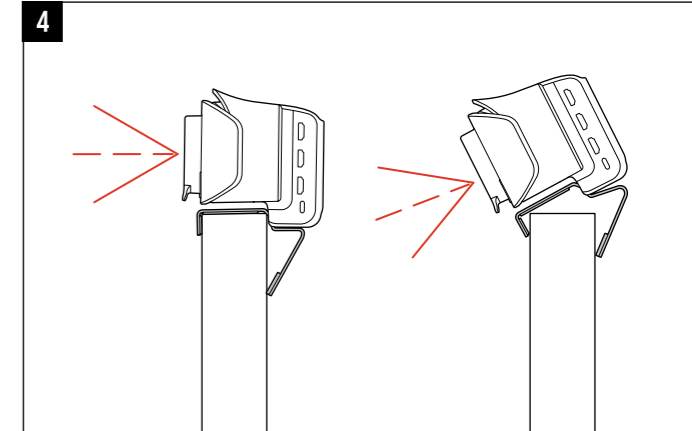
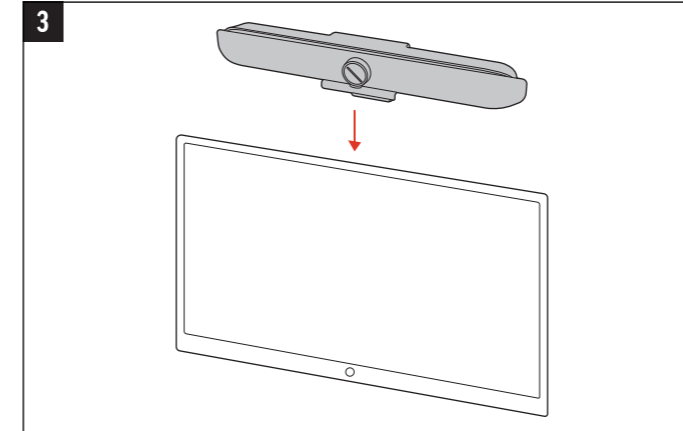
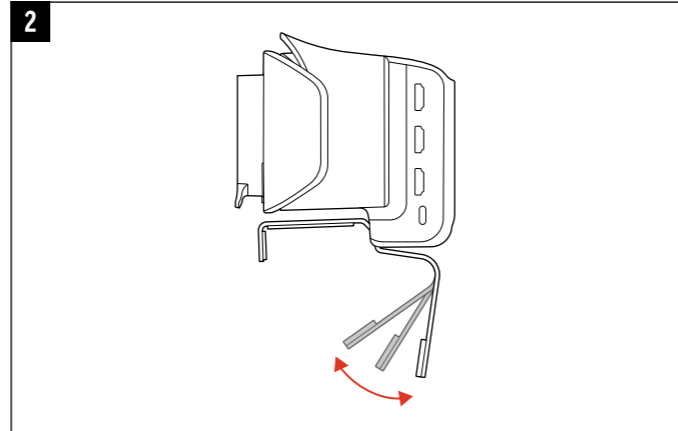
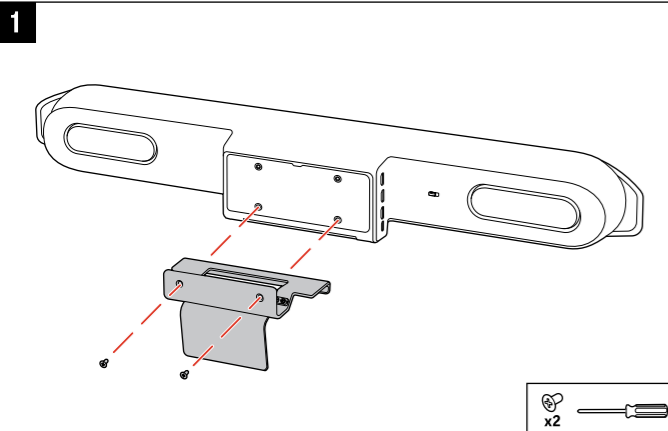


Poly Studio X52 and Power Supply*



S/N XXXXXXXXXXXXXXX

*Not supplied in the Studio X52 Display Clamp Accessory Kit



poly.com/support/studio-x52

Recyclable where facilities exist

Frequency and transmit power for radio-enabled products only:

Frequency Range	Maximum Transmit Power
2.412GHz - 2.462GHz	19.41 dBm e.i.r.p
5.180GHz - 5.725GHz	20.19 dBm e.i.r.p

© 2023 Poly. All trademarks are the property of their respective owners.



1725-87989-001C 02.23
Studio X52 Model P033