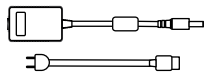
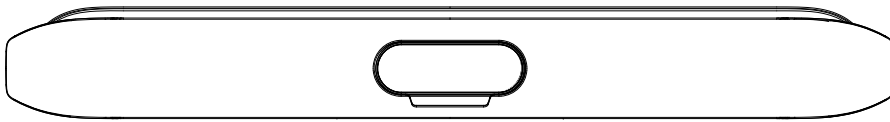


Poly Studio X50

See the Poly Studio X30 and Poly Studio X50 Regulatory Notices for all regulatory and safety guidance prior to configuration.

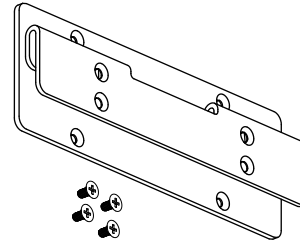
Avant de procéder à la configuration, veuillez consulter les Avis de réglementation du Poly Studio X30 and Poly Studio X50, afin de prendre connaissance des recommandations en matière de sécurité et de réglementation.

CONTENTS

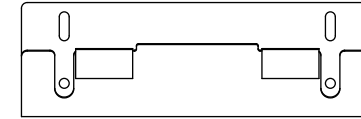


HDMI
1.83 m (6 ft)

LAN (STP)
4.57 m (15 ft)



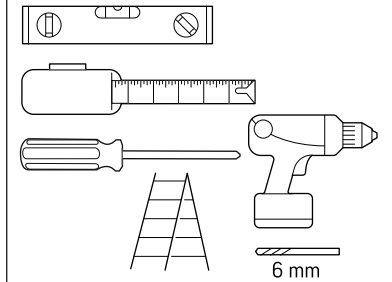
(4) M4 x 8 Screw



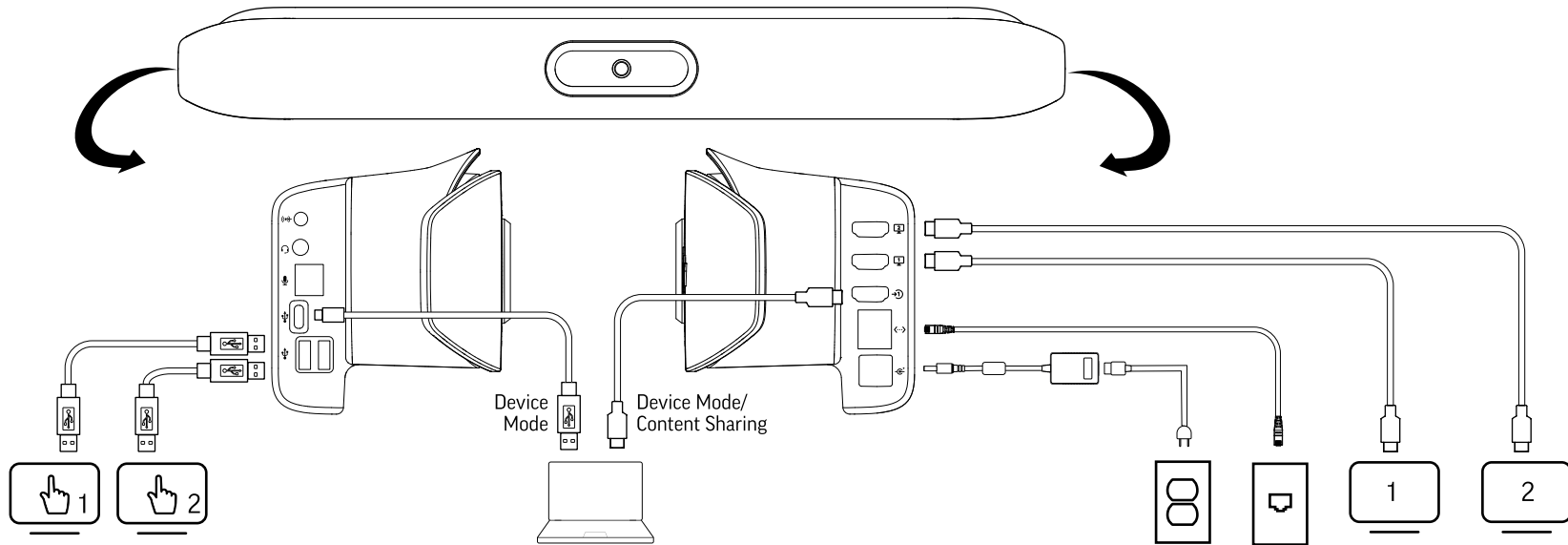
(4) #8 x 7/8" Plastic Anchor

(4) #8 x 1" Screw

TOOLS

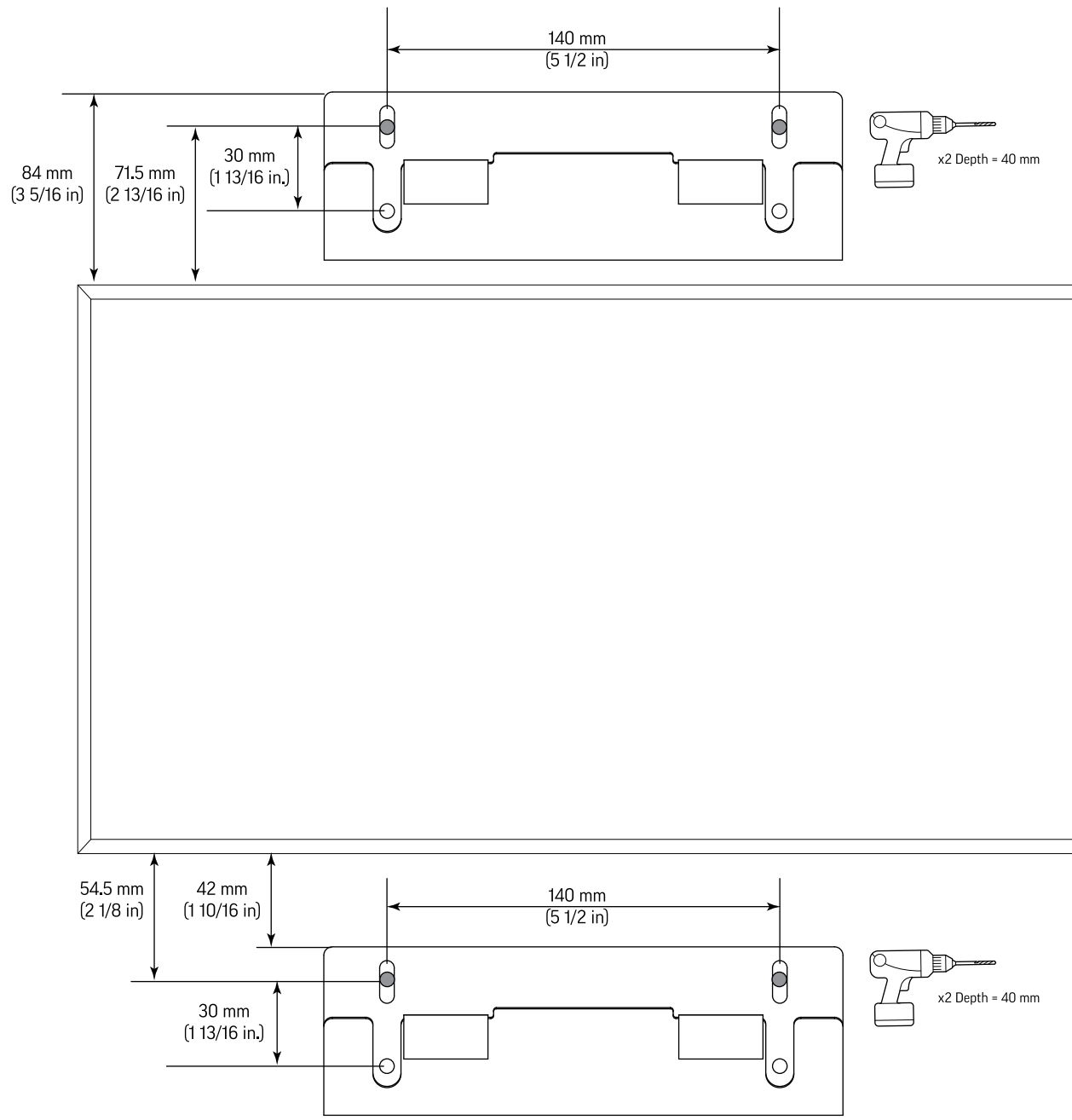


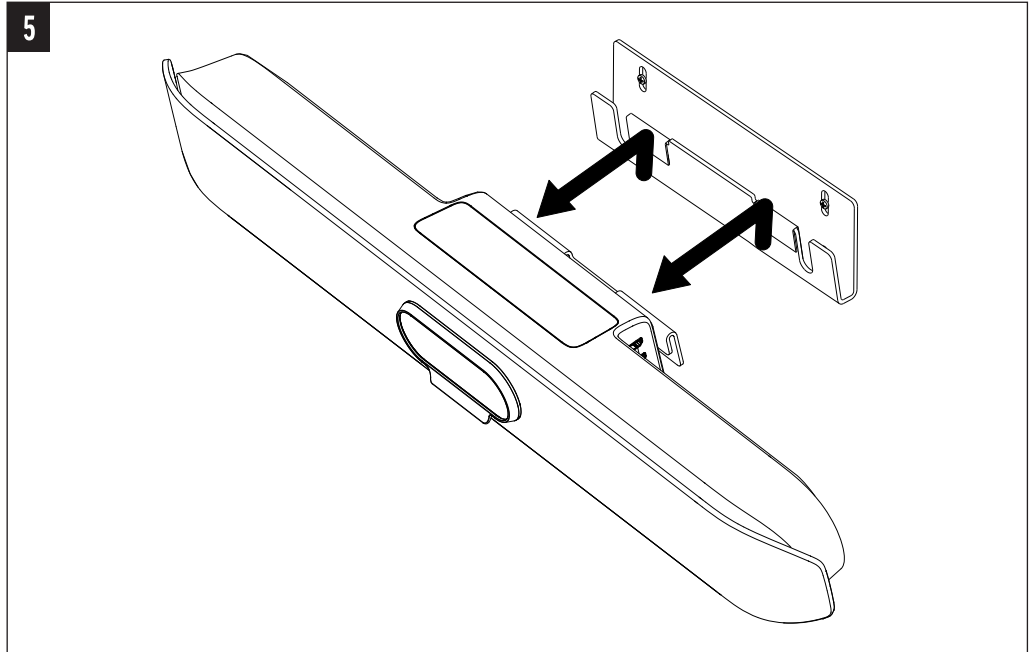
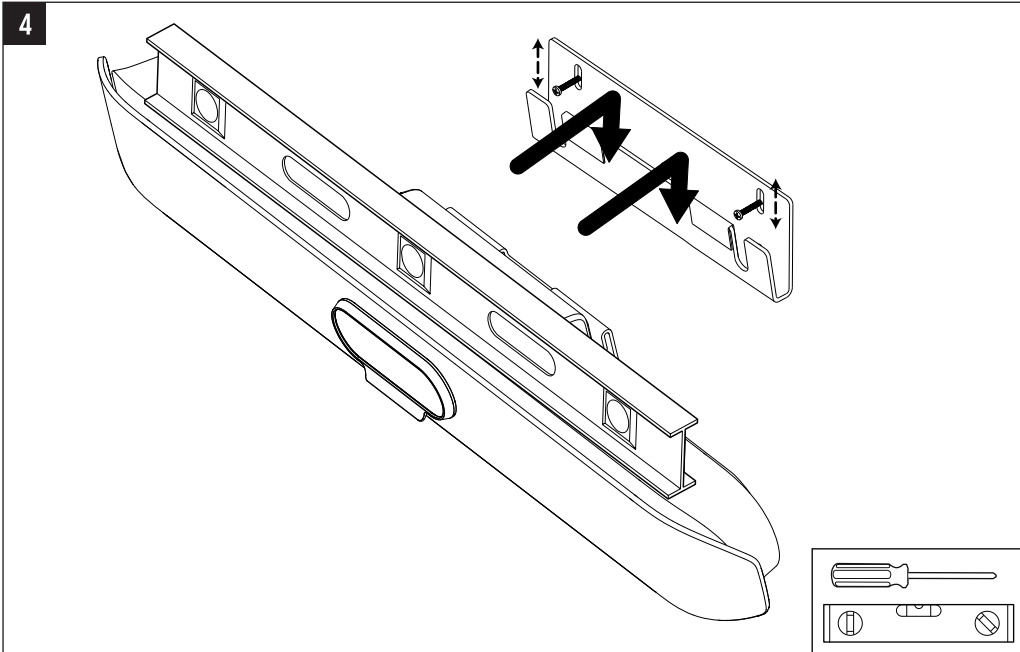
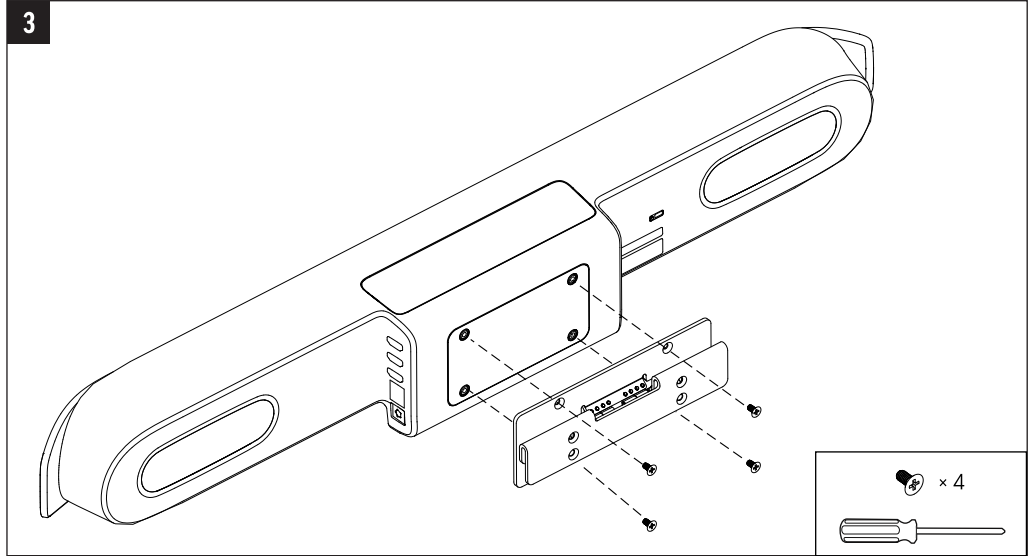
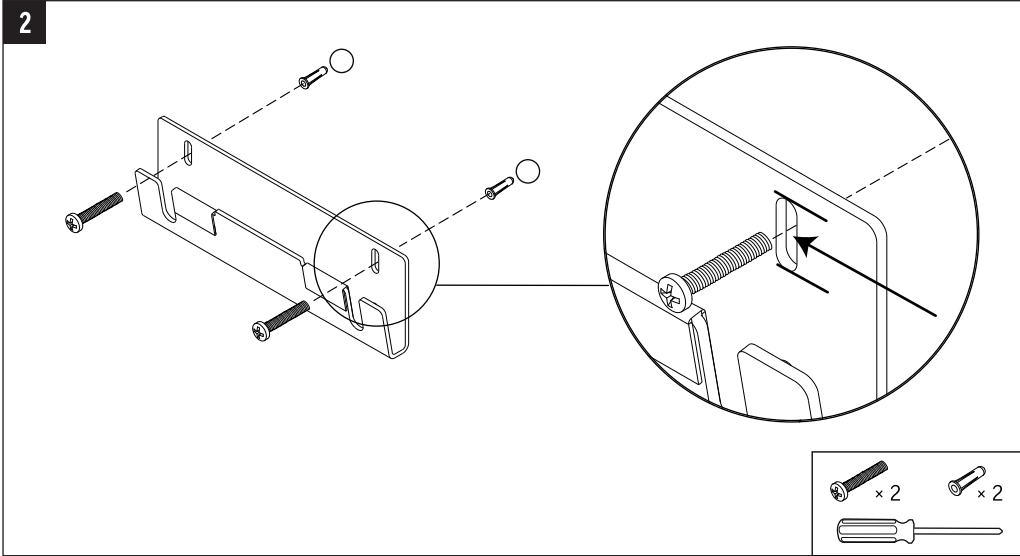
6 mm

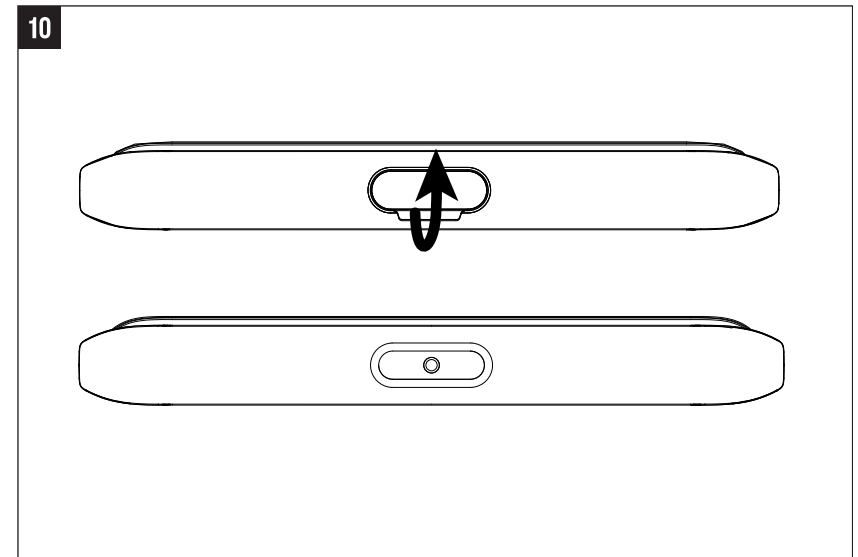
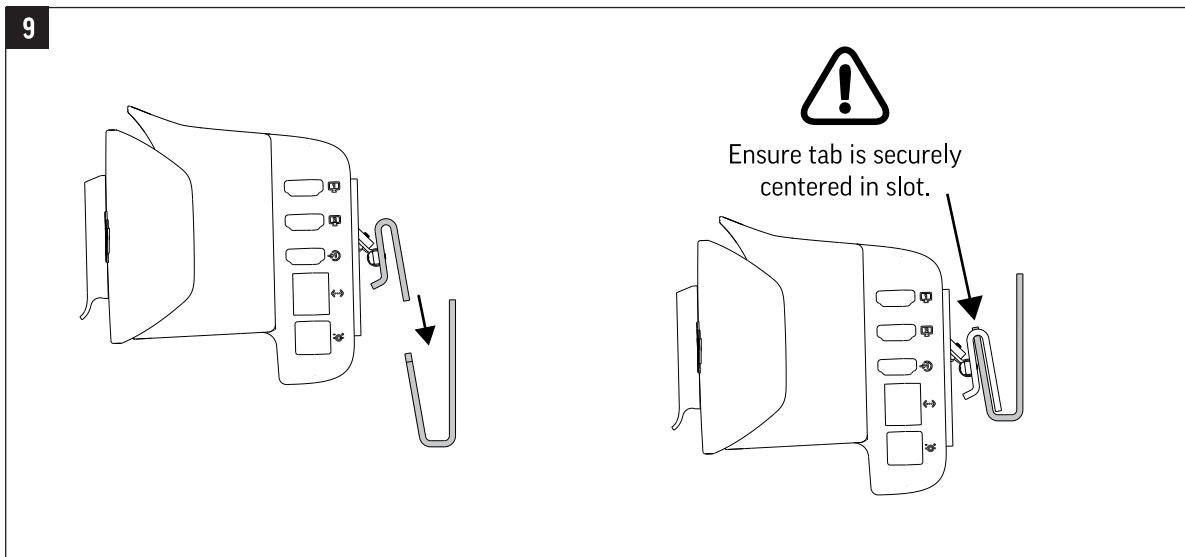
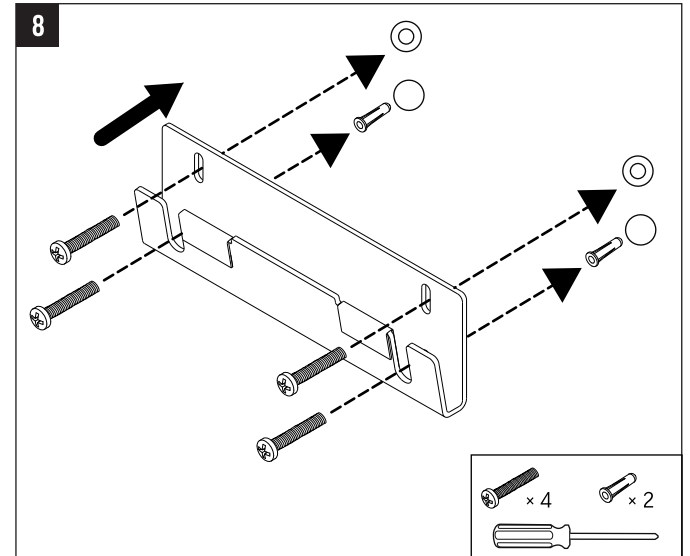
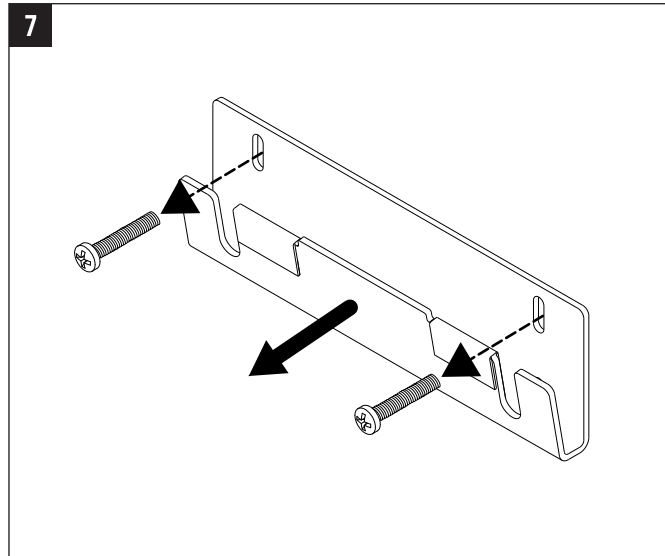
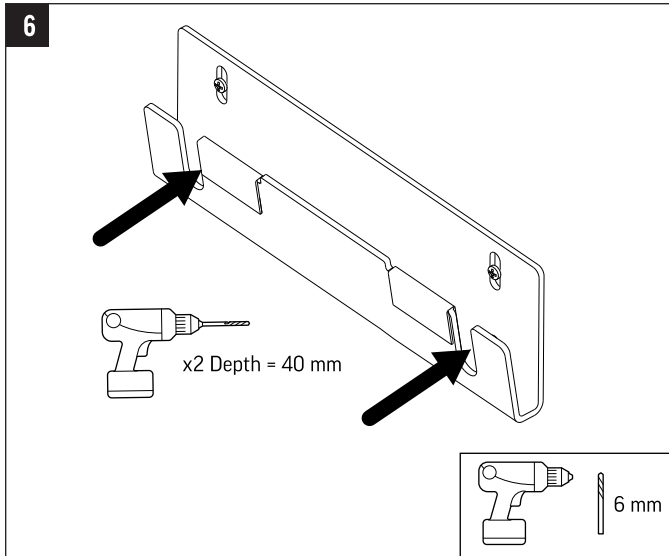


1725-86423-003B
Studio X50 Model P017

1







Hereby, Plantronics B.V. declares that the radio equipment type Model P018 and P017 is in compliance with Directive 2014/53/EU. The full text of the EU declaration of conformity is available at <https://www.poly.com/gb/en/legal/compliance/conformity>.

Frequency Range	Maximum Transmit Power	
	P017	P018
2422 - 2480MHz	Max EIRP [19.1] dBm	Max EIRP [18.88] dBm
5150 - 5350MHz	Max EIRP [19.93] dBm	Max EIRP [20.06] dBm
5470 - 5725MHz	Max EIRP [19.33] dBm	Max EIRP [19.7] dBm

© 2022 Poly. All trademarks are the property of their respective owners.



www.poly.com/support/studio-x50