



High Frequency Horn PH-3220

Applications

PH-3220 HIGH FREQUENCY HORN

The PH-3220 is a medium format high frequency horn designed for use in professional sound reinforcement systems. The PH-3220 has a nominally rated radiation pattern of 100 degree horizontal by 60 degree vertical. This rated coverage pattern makes the horn an ideal choice for use in high level two way 12 inch or 15 inch system designs. The rectangular mouth geometry allows for a wide horizontal coverage and the mouth horizontal dimension maintains excellent coverage control to below 1000Hz.

The PH-3220 features a 1 inch (25.4mm) diameter bolt on throat design. This 1 inch diameter design allows many of the P Audio PreNeo and BMD series professional compression drivers to be coupled to the horn. Because the 1 inch throat is an industry standard, the PH-3220 is also compatible with a wide variety of competitive professional level compression drivers.

The PH-3220 is a rugged and structurally sound injection molded design. A very high impact ABS resin utilizing glass filler provides a high degree of structural support for the compression driver.

The PH-3220 may be used with the following P.audio professional compression drivers. (or any industry standard compatible driver)

- BM-D440
- BM-D450
- PreNeo-450N
- PA-DE34



Specifications

Nominal Coverage Angle (H° X V°) - 6 dB.	100° x 60°
Cut Off Frequency (Hz.)	500 Hz
Throat Diameter	25.4mm. (1")
Mounting Type	BOLT ON
Construction	Injected Polymer A.B.S.with glass fiber filled Black Polycarbonate

MOUNTING DIMENSIONS :

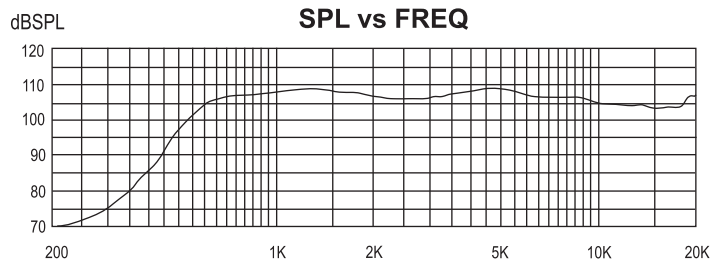
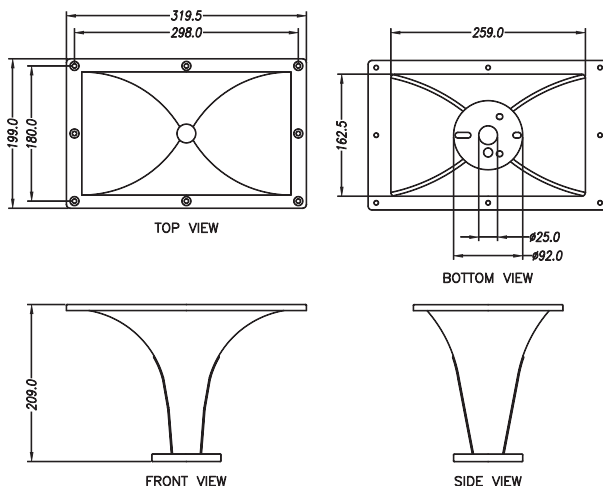
Rear Height :	164mm (6.49")
Rear Width :	260mm (10.23")

OVERALL DIMENSIONS :

Mount Height :	199mm(7.79")
Mount Width :	319mm (12.51")
Length :	210mm (8.26")

BAFFLE CUTOUT DIMENSIONS :

Height :	170mm (6.69")
Width :	266mm (8.89")
Net Weight :	0.7kg (1.54 lbs)
Shipping Weight :	1.1kg (2.42 lbs)
Packing Dimension :	228mm x 330mm x 210mm 8.97" x 12.99" x 8.26"



Response of horn with BM-D440

19/4 Moo 2 T.Bangkratuk A. Samparn Nakornpathom 73210 Thailand
 Tel: +66-2-441-6600 Auto 30 Lines
 e-mail: info@paudiothailand.com
 Web site: www.paudiothailand.com
 All rights reserved by P.Audio System Co., Ltd. 2007

