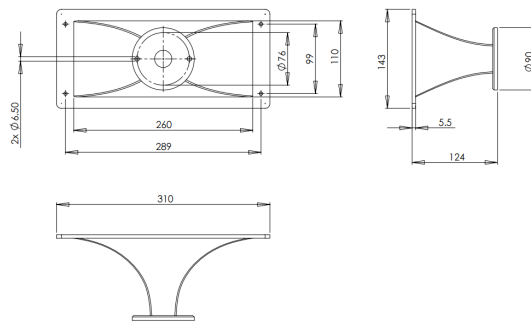
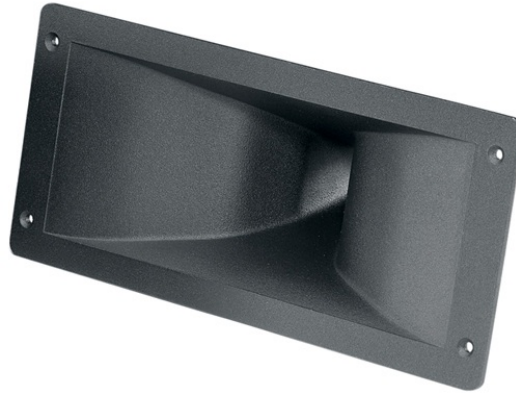


ME45

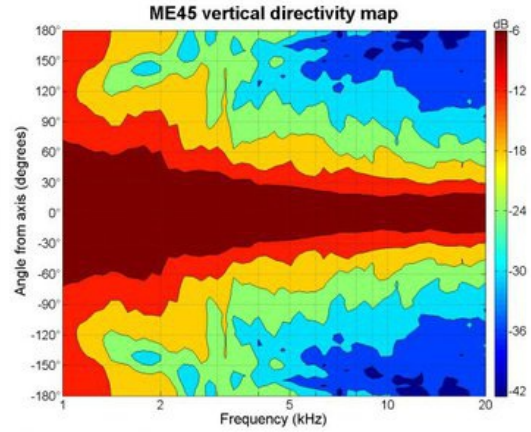
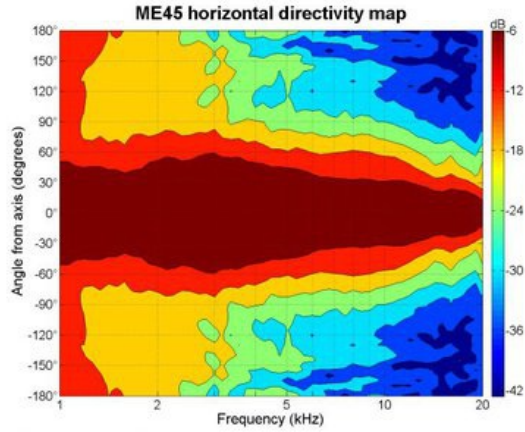
Horns - 1.0 Inches



- 1" throat entry
- 90° x 40° nominal coverage
- Exponential flare
- Very good loading down to 1 kHz

ME45

Horns- 1.0 Inches



SPECIFICATIONS

Throat diameter	25 mm (1.0 in)
Nominal coverage horizontal	90 °
Nominal coverage vertical	40 °
Cutoff frequency	1.0 kHz
Material	Cast Aluminium
Dimensions	310x140x124 mm (12.2x5.6x4.9 in)

MOUNTING AND SHIPPING INFO

Baffle cutout dimension	260x110 mm (10.2x4.3 in)
Net weight	0.8 kg (1.8 lb)
Shipping units	4
Shipping weight	4.9 kg (10.8 lb)
Shipping box	540x350x185 mm (21.2x13.8x7.3 in)