



Product Specification

General Specifications

Type	Compression Driver			
Throat Diameter	2	inch	50.8	mm
Diaphragm Diameter	2.84	inch	72.1	mm
Nominal Impedance	8	Ω		
Voice Coil DC Resistance	6.5	Ω		
Power Handling Capacity	110	W(AES)		
Frequency Bandwidth ($\pm 3dB$)	500-20k	Hz		
Sensitivity @ 1W 1M	108	dB	load with PH-4528	
Recommended Crossover	1k	Hz	12dB/Octave Slope	
Mounting Type	Bolt on			

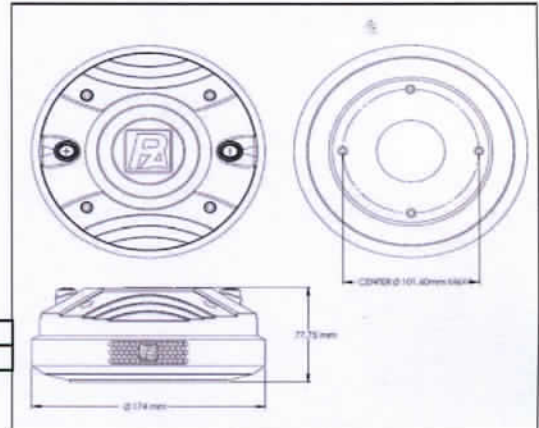
Code Number	F01020107221PAA		
Model Name	BM-D750 2016 8OHM		
Description	Compression Driver		
Customer Name	AEB		
Engineer	ART	Date	12/7/2016
Approved		Date	

Physical Information

Magnet	Type	Ferrite Y35		
	Size (mm)	168	86	20
	Volume	57.7 oz.		
Cover	Material	ALUMINIUM		
	Color	Blue		
Voice Coil	Wire	AL-R		
	Former	NSV		
Diaphragm	Material	Titanium		
	Color	Blue		
Packing Quantity	3 PCS			
Safe & Proper size				
	(mm)	340	215	240
	(inch)	13.4	8.5	9.4
	cu.ft	0.62		

Dimensions

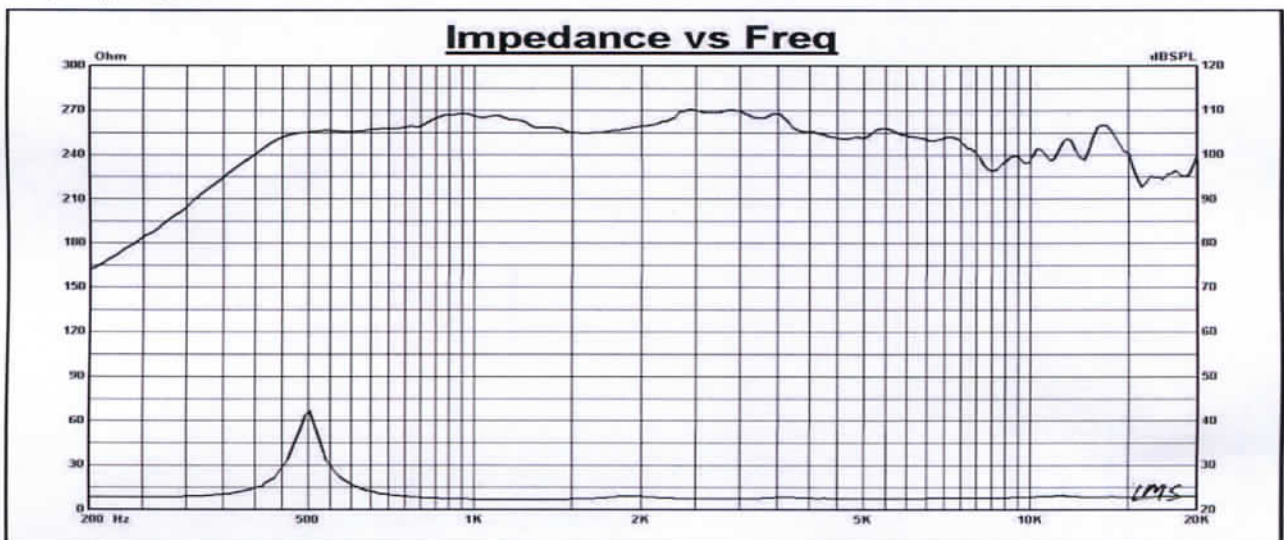
Overall Diameter	174	mm	6.9	inch
Mounting Hole Diameter	4-M6X1 PCD 101.6MM			
Mounting Hole Diameter				



Power Test

Apply Voltage	28.5	V	Duration	2	hour
Low Pass	1000	Hz	Hi Pass	20000	Hz

Frequency Response



Revision	A
----------	---

FM-RD-17D

