



Product Specification

General Specifications

| Type | Compression Driver | | | |
|----------------------------------|--------------------|----------|-------------------|----|
| Throat Diameter | 1 | inch | 25.4 | mm |
| Diaphragm Diameter | 1.75 | inch | 44.45 | mm |
| Nominal Impedance | 8 | Ω | | |
| Voice Coil DC Resistance | 6.8 | Ω | | |
| Power Handling Capacity | 80 | W(AES) | | |
| Frequency Bandwidth (\pm 3dB) | 1200-20K | Hz | | |
| Sensitivity @ 1W 1M | 109 | dB | load with+PH-220 | |
| Recommended Crossover | 1.5K | Hz | 12dB/Octave Slope | |
| Mounting Type | Bolt on | | | |

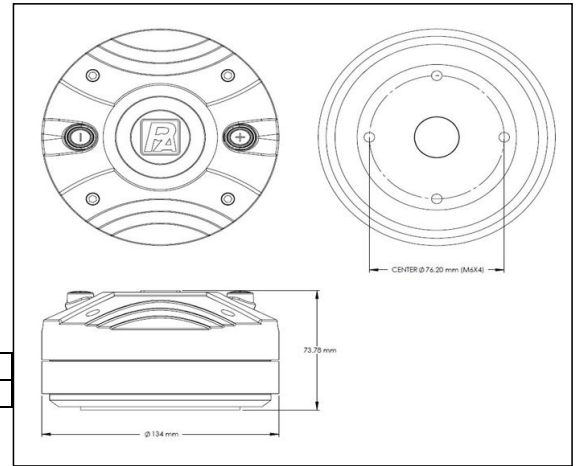
| | | | |
|---------------|--------------------|------|------------|
| Code Number | F01020102861PAA | | |
| Model Name | BM-D450 2016 8OHM | | |
| Description | Compression Driver | | |
| Customer Name | PAA | | |
| Engineer | ART | Date | 22-06-2016 |
| Approved | | Date | |

Physical Information

| | | | | |
|--------------------|-----------|--------------|------|-----|
| Magnet | Type | Ferrite Y30 | | |
| | Size (mm) | 134 | 56 | 20 |
| | Volume | 41.0 oz. | | |
| Cover | Material | Plastic ABS. | | |
| | Color | Blue | | |
| Voice Coil | Wire | AL-R | | |
| | Former | KSV | | |
| Diaphragm | Material | Titanium | | |
| | Color | Blue | | |
| Packing Quantity | 8 PCS | | | |
| Safe & Proper size | (mm) | 310 | 310 | 195 |
| | (inch) | 12.2 | 12.2 | 7.7 |
| | cu.ft | 0.66 | | |

Dimensions

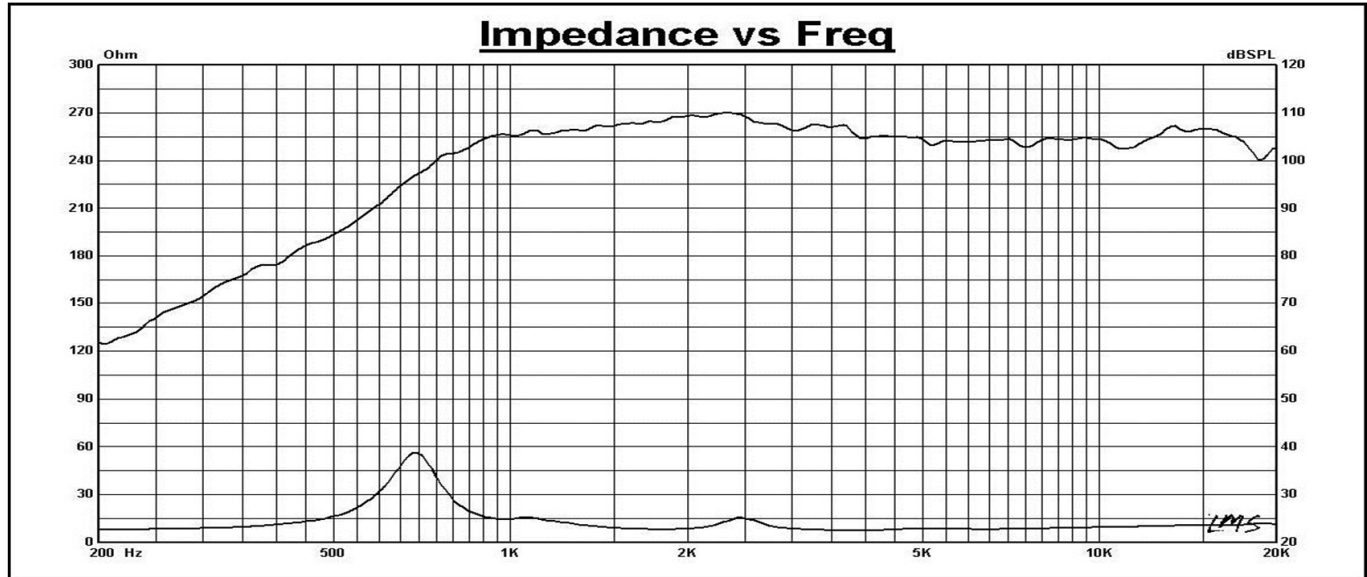
| | | | | |
|-----------------------|-----------------|----|-----|------|
| Overall Diameter | 134 | mm | 5.3 | inch |
| Mouting Hole Diameter | 4-M6X1 PCD 76.2 | | | |
| Mouting Hole Diameter | | | | |



Power Test

| | | | |
|---------------|----|----------|------|
| Apply Voltage | V | Duration | hour |
| Low Pass | Hz | Hi Pass | Hz |

Frequency Response



| | |
|----------|---|
| Revision | A |
|----------|---|