



LS/8

Sub Bass

Extending the versatility of GEO S12 and PS Systems

www.nexo-sa.com

Thinking. Inside the box.

NEXO

LS18

Adds bass.
Multiplies options.



GEO S12 PS

Clever cabinet design empowers the LS18 sub bass module to bring new levels of versatility to NEXO GEO S12 and PS Series systems.

Suddenly it's easy to create compact and powerful line arrays in fixed installations, while mobile options range from simple pole-mount systems to potent groundstacks – all quick and easy to configure, exploiting the wide range of NEXO rigging accessories.

Available in two versions, the standard LS18 features a steel pole mount on the top of the cabinet and plates on the side, compatible with GEO S12 and PS Series rigging hardware. The LS18e is a stripped-down version, dispensing with rigging plates, handles and pole mount to deliver an exceptional price/performance ratio in standalone applications.

LS18e



1 sub. Many applications.



With pole-mounted cabinets

A robust steel fitting on top of the LS18 makes it quick and easy to pole-mount a PS15 cabinet, creating a powerful full-range system for mobile applications.

A PS15 cabinet can also be mounted directly on top of the LS18 to provide a powerful drum monitor system.



In a groundstack

Identical in width to the height of a GEO S12 cabinet, the LS18 is compatible with GEO S12 rigging hardware, making it quick and easy to configure the appropriate scale of groundstack for any venue.



Flown in a line array

Flown above a series of GEO S12 cabinets, LS18 anchors a discreet and powerful line array that's perfect for applications in which a clear stage is required, such as houses of worship.

A single PS15 cabinet flown beneath an LS18 is an ideal compact and low-profile solution for fixed installations in clubs with a low ceiling height.



The precise ratio of LS18 subs to line array modules will vary depending on applications.

Specifications and Technical Data

LS18 with NXAMP TD Controller

Frequency Response [a]	35 Hz - 120 Hz \pm 3dB
Useable Range @-6dB [a]	32Hz - 130 Hz
Sensitivity 1W @ 1m [b]	107 dB SPL Nominal
Nominal Peak SPL @ 1m [b]	137 to 140 dB Peak
Nominal Impedance	8 Ω
Crossover Frequencies	60 Hz - 85 Hz - 120 Hz Active
Amplified Controller	NXAMP4x1: 2 x LS18 in parallel on 2 bridged channels NXAMP4x4: 2 x LS18 on 1 channel

PRODUCT FEATURES

Components	1 x 18" (46cm) 4" voice coil long excursion 8 Ω driver
Height x Width x Depth	510 x 675 x 775 mm (20.1" x 26.1" x 30.5")
Weight (LS18) : Net	55.5 kg (122.3 lbs)
Weight (LS18e) Net	53 kg (116.6 lbs)
Connectors	2 x NL4MP Speakon 4 pole
Construction	Baltic Birch Ply & structured black coating. Also available in white and custom paint finishes.
Fittings:*	Handles 4 metal recessed pockets (2 per side)
	Front finish Moulded Dark Grey Metal Grill
	Flying Points Two side plates connecting with external accessories
	Stand fittings Internal Steel Stand Fitting on Top (35mm, 1"3/8) allows pole mounting for PS15 or Geo S12

* Applies to LS18 only. There are no fittings or handles on the LS18e.

SYSTEM OPERATION

Electronic Controller	The NEXO NXAMP presets are precisely matched to the LS series cabinets and include sophisticated protection algorithms. Using LS Series cabinets without a properly connected NXAMP will result in poor quality and can damage components.
Speaker Cables	LS18 is wired 1- & 1+ on 2 In/Out Speakon connectors. Single cables can thus be used to loop through to PS15-R2 or to Geo S12.

As part of a policy of continual improvement, NEXO reserves the right to change specifications without notice.

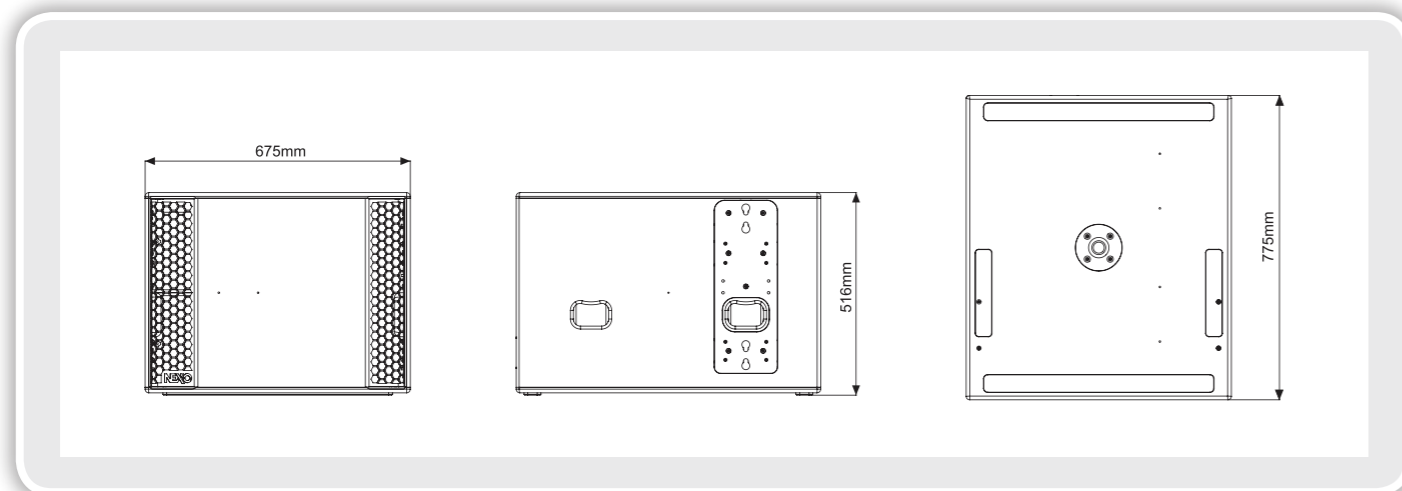
[a] Response curves & data : Half-Space Anechoic radiation for the LS18 + NXAMP

[b] Sensitivity & Peak SPL data : these will depend on spectral distribution and crest factor of program material. Measured with band limited Pink Noise., Wideband to the specified \pm 3dB range. Data are for speaker + processor + recommended amplifier combinations. Peak SPL is at clipping of recommended amplifier.

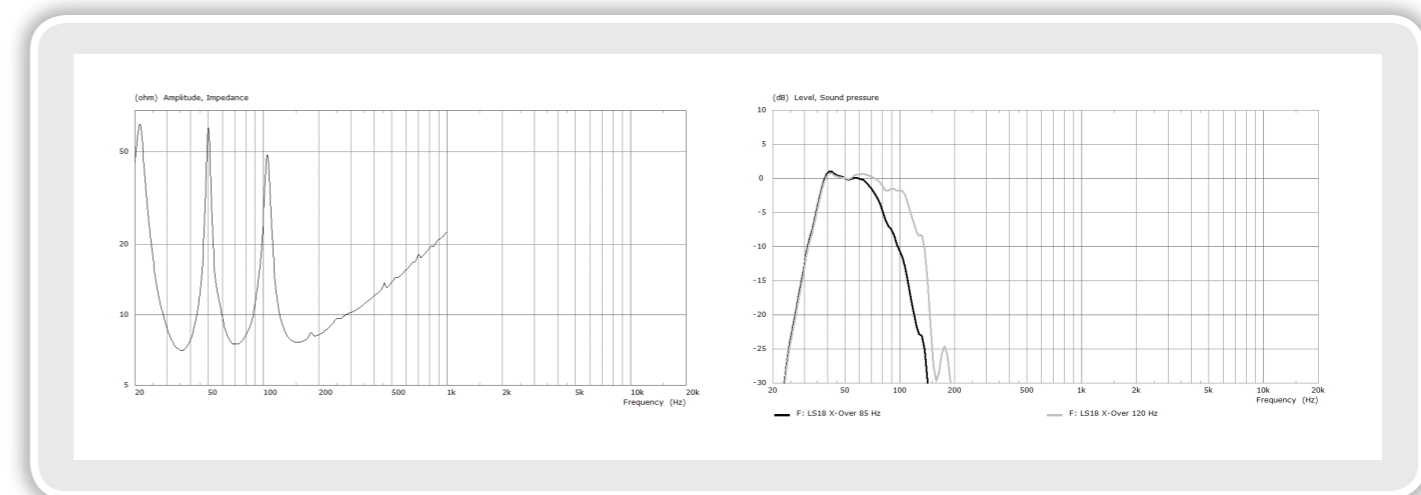
[c] Directivity curves & data : obtained by computer treatment on off axis response curves

E&OE January 2014

Dimensions



Impedance and frequency responses

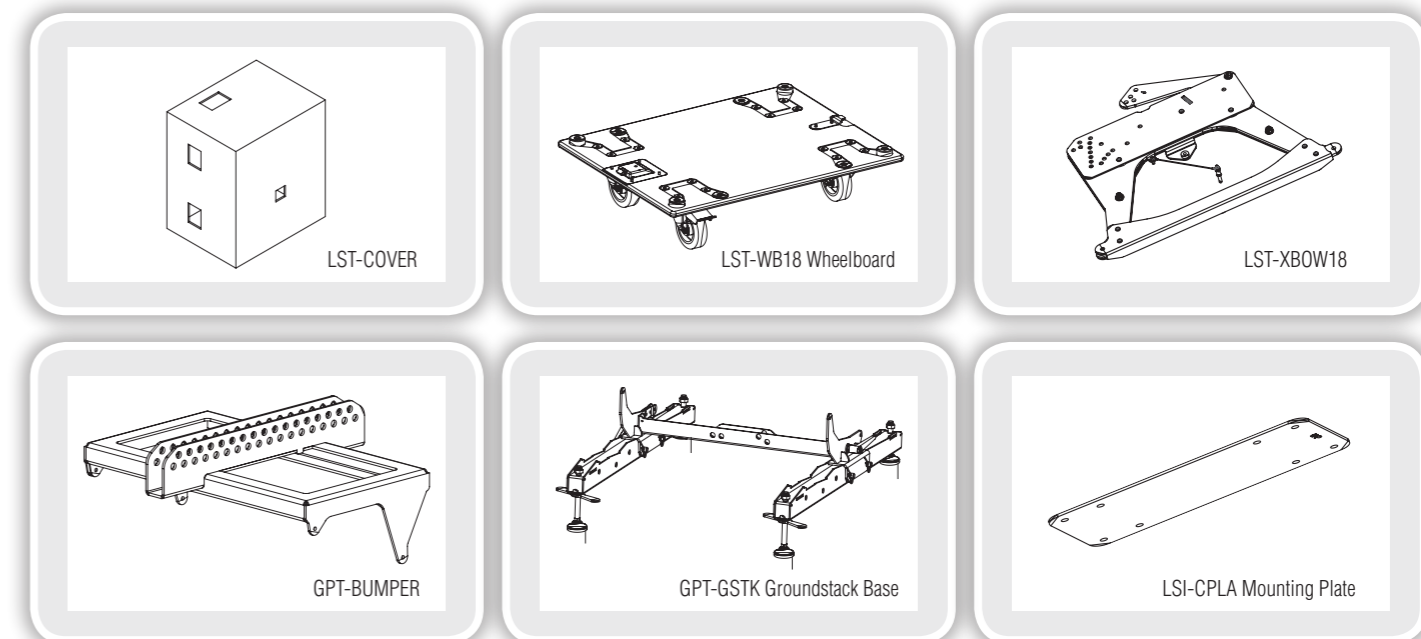


Architects' Specifications

The sub-bass loudspeaker system shall have one 18in, 4" voice coil long excursion transducer. Nominal Sensitivity shall be 107dB. When driven by a NXAMP 4x1 (2 x LS18 in parallel on 2 bridged channels), or NXAMP 4x4 (2 x LS18 on 1 channel), the system shall be capable of 137dB to 140dB peak SPL, with a frequency response of 35Hz to 120Hz \pm 3dB (32Hz to 130kHz -6dB). The system shall include an active crossover. Electrical connections shall be made via one of the two 4-pole NL4MP SPEAKON connectors.

The system shall have a tuned ported rectangular enclosure constructed of Baltic birch ply, finished in either black or white textured coating, or custom colours, and having exterior dimensions no greater than 510mm H x 675mm W x 775mm D (20.1in H x 26.1in W x 30.5in D): the system shall weigh 55.5kg (122.3 lbs). Exterior hardware shall include 1-pole socket and side mounting plates for attaching rigging hardware. The system shall be the NEXO LS18 with either the NXAMP 4x1 or NXAMP 4X4.

LS18 Accessories





NEXO

Parc d'Activité
du Pré de la Dame Jeanne
B.P.5
60128 Plailly
FRANCE
Tel: +33 (0)3 44 99 00 70
Fax: +33 (0)3 44 99 00 30
E-mail: info@nexo.fr



ISO 9001:2015
BUREAU VERITAS
Certification



www.nexo-sa.com

Thinking. Inside the box.

NEXO