



# COMPACT 8.4

## Passive Installation Speaker

COMPACT  
SERIES



### Applications

- Medium format design for use in reduced volume spaces
- Switchable design for use in low or high impedance system designs
- Permanent medium format installations

### Features

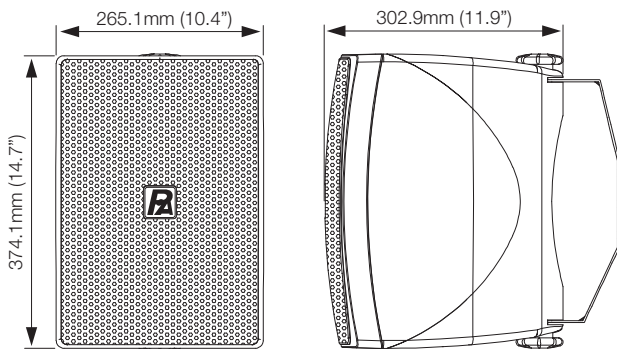
- Precision injected molded cabinet for attractive presentation and superior sound
- 8 Inch woofer with lightweight rubber surround for high SPL and low cut off frequency
- Two way design with highly optimized passive crossover network
- Available in black and white

The Compact 8.4 is a high performance large format foreground and background sound reinforcement system designed for permanent installation in a wide variety of acoustic environments. The design features an 8 inch (203mm) high output woofer and a short horn loaded 1 inch (25.4mm) soft dome tweeter. The extended low frequency response makes the Compact 8.4 ideally suited for retail spaces where high energy music playback is specified. The system is also excellent for larger fitness centers and workout rooms where amplified music supports verbal instruction. The Compact 8.4 presents a very cosmetic design and integrates well into upscale restaurant and pub environments where themed music is a part of the overall experience.

The system features a switchable low impedance or high impedance design. The low Z configuration is an 8 ohm nominal impedance. The high Z configuration provides an industry standard 100Vrms fully isolated transformer. There are 3 available taps: 35 watts; 25 watts; and 15 watts. System power handling is a full 100 watts and the high sensitivity of 89dB (1 watt at 1 meter) insures that the Compact 8.4 is capable of excellent elevated sound pressure level performance.

The Compact 8.4 features a precision injection molded design that also includes a powder coated perforated steel grill. The system includes a U bracket to allow for easy permanent installation in a wide variety of acoustic spaces. The Compact 8.4 is available in both black and white colors.

The Compact Series enclosures may also be used with the XT-15 Sub powered sub when additional bandwidth or high impact subwoofer program material is required. Adding the powered XT-15 Sub to any of the Compact Series will produce exceptional low frequency extension and impact.



### General Specifications

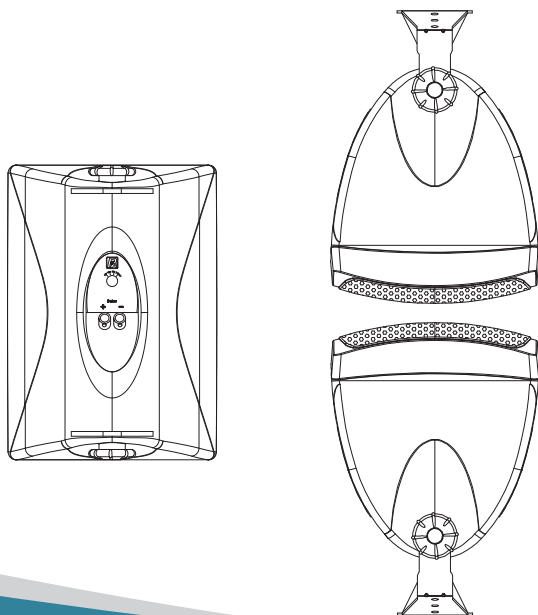
Type	Two-Way Full Range Passive Bass Reflex
Woofer Size	8"
Woofer Voice Coil	1.5"
HF Size	1"
HF Voice Coil	1"
Cabinet design	Plastic Polycarbonate
Handles	None
Pole Mount	Mounting "U" Bracket
Weight	5.7 kg / 12.5 lbs
Dimensions (WxDxH)	265.1x302.9x374.1 mm / 10.4x11.9x14.7 in

### Acoustic Specifications

Sensitivity (1w/1m) (dB)	89dB
-3dB Response	50Hz-18kHz
-10dB Response	45Hz-20kHz
Power Handling (Watt)	100w
Maximum Continuous SPL (dB)	109dB
Maximum Peak SPL (dB)	115dB
Dispersion (HxV)	90x90

### Electrical Specifications

Impedance	8 Ohm (Switchable)
Input	1 x Binding Post



P.AUDIO SYSTEM CO.,LTD.