



## GM SERIES

# GM18-100F

### Low Frequency Ferrite Woofer



#### Features

- 4" Large Format Voice Coil
- 4800 Watts Peak Power Handling
- 97 dB Sensitivity
- FEM Designed Ferrite Magnetics
- Precision Round Wire Inside/Outside Coil Design
- Triple Aluminium Demodulation Rings

#### Applications

The P. Audio 'Golden Master' GM18-100F is the intersection of advanced design and state of the art manufacturing. The GM18-100F is an 18 inch (457mm) low frequency transducer for high performance professional audio. The 4 inch (101.6mm) inside/outside wound voice coil is designed for superior reliability and excursion, featuring ultra-high temperature wire and extended winding length. The weight-optimized ferrite magnetics maximize the coil's strengths by providing strong magnetic flux across its whole range of movement. This keeps coil motion faithful to the audio signal without distorting. Aluminum 'demodulation' rings negate inductance effects in the motor, further improving the fidelity of coil movement.

The ferrite magnet structure cooperates with a carefully optimized venting system on the bottom of the sleek Golden Master chassis to control airflow around the voice coil. This cools the durable design to further levels of reliability without losing sensitivity – the GM18-100F is rated at 4800 W peak power handling/1200 W AES continuous power handling with nominal sensitivity of 97 dB.

Linear and symmetrical stiffness behavior of the suspension compliments linear coil motion. The GM18-100F's large diameter spider is a durable silicone laminate design that provides symmetrical displacement and reliable voice coil positioning even after hours at high power levels. The cone features a proprietary triple-roll cloth surround. The perfect match of material and geometry mean ultra-low distortion of cone movement and ultra-low distortion of sound. Coating keeps the cone rigid and waterproof during operation.

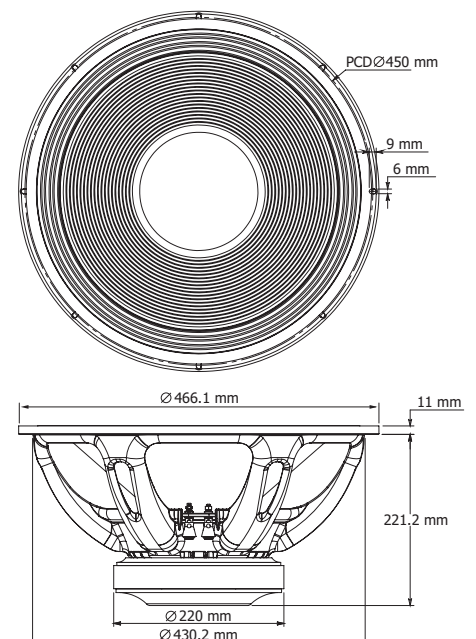
The ideal application for the GM18-100F is in a well-tuned vented enclosure, and it is suited to sub-woofer designs using bi-amped configurations. Performance is optimized when using a high pass 4th order Butterworth filter tuned near the enclosure vent frequency. The GM18-100F offers a 30-200Hz useable bandwidth, extending past the 80 to 150Hz upper limit of typical applications.

#### General Specification

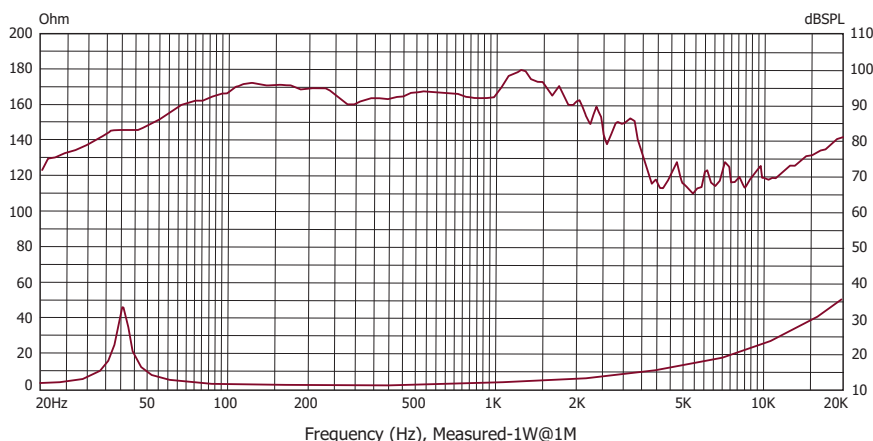
Nominal diameter	457 mm / 18 in
Peak Power	4800 W
AES Power	1200 W
Nominal impedance	8 Ohm
Sensitivity (1W/1m)	97 dB
Frequency range	30 - 200 Hz
Chassis type	Cast Aluminium
Magnet type	Ferrite
Magnet weight	4.28 kg / 150.8 oz
Voice coil diameter	101.6 mm / 4 in
Coil material	Round Copper Wire
Former material	Glass fiber
Cone material	Paper
Surround material	Cloth
Suspension	Silicone Impregnated Spider
Xmax	7.5 mm / 0.30 in
Gap depth	15 mm / 0.59 in
Voice coil winding width	30 mm / 1.18 in
Unit weight	15.2 kg / 33.5 lb
Shipping weight	17.1 kg / 37.7 lb
Packaging dimension WxDxH	505x505x290 mm 19.9x19.9x11.4 in

#### Thiele Small Parameters

Fs	36 Hz
Re	5.2 Ohm
Qms	9.9
Qes	0.48
Qts	0.45
Bl	24.04 Tm
Mms	231.99 g / 8.19 oz
Mmd	207.34 g / 7.32 oz
Vas	172.59 lt / 6.09 cu.ft <sup>3</sup>
Sd	1225 cm <sup>2</sup>
Le	1.00 mH
Cms	8.2e - 05 m/N
Rms	5.4 Ns/m



#### Frequency response and Impedance curve



P.AUDIO SYSTEM CO.,LTD.