



EM SERIES

EM15-LB600

Low Frequency Ferrite Woofer



Features

- 3.5" Voice Coil
- 2400 Watts Peak Power Handling
- 95 dB Sensitivity
- Ferrite Magnetics
- Precision Round Wire Inside/Outside Coil Design
- Stamped Steel Chassis

Applications

The P Audio EM15-LB600 is a high performance 15 inch (381mm) diameter low frequency/full range transducer. The EM15-LB600 features a very large diameter silicone impregnated spider that substantially reduces component stress and improves both linearity and long term reliability. The large diameter suspension elements combine with the unique 3.5" (88.9mm) voice coil diameter and extended winding length to produce high Xmax performance and very tight low frequency sonic character. The EM15-LB600 is an excellent choice for full range two way designs.

The EM15-LB600 features 2400 watt peak power handling (600 watts continuous) and extended bandwidth frequency response. The unique 3.5 inch voice coil diameter provides an excellent balance between high power handling and controlled moving mass. The result is a high efficiency design that offers high impact low frequency response and high reliability. The 3.5 inch coil design offers less moving mass than a conventional 4 inch design. The reduced moving mass offers superior transient response as well as extended high frequency response.

The EM15-LB600 offers a 40Hz to 2500Hz useable bandwidth. The performance of the EM15-LB600 is optimized when using a high pass 4th order Butterworth filter tuned to near the enclosure vent frequency. Although the woofer is rated to 2500Hz, typical high frequency crossover points will be based on the compression driver and horn combination used for the high frequency section.

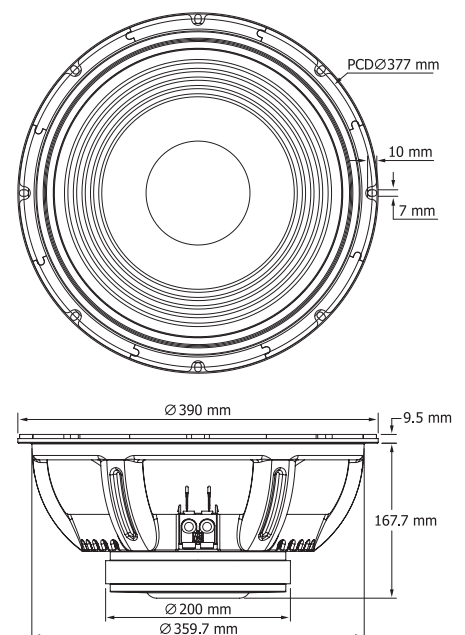
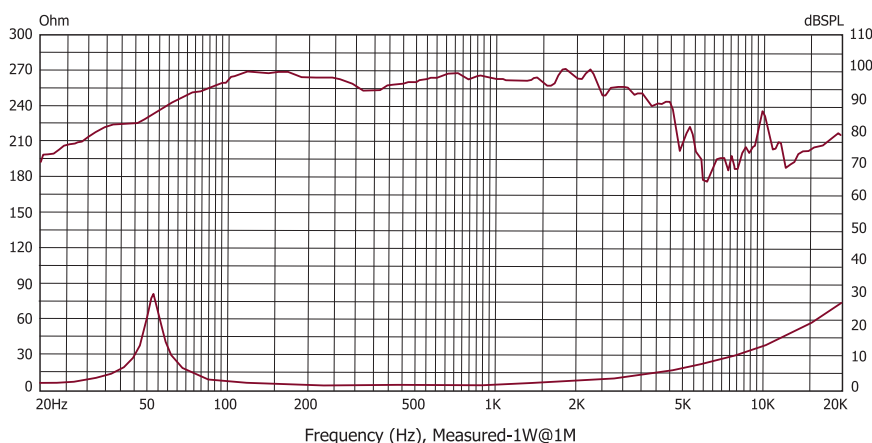
General Specification

Nominal diameter	381 mm / 15 in
Peak Power	2400 W
AES Power	600 W
Nominal impedance	8 Ohm
Sensitivity (1W/1m)	95 dB
Frequency range	40 - 2500 Hz
Chassis type	Heavy Duty Stamped Steel
Magnet type	Ferrite
Magnet weight	2.95 kg / 103.9 oz
Voice coil diameter	88.9 mm / 3.5 in
Coil material	Copper Clad Aluminium
Former material	Glass fiber
Cone material	Paper
Surround material	Cloth
Suspension	Silicone Impregnated Spider
Xmax	4 mm / 0.16 in
Gap depth	10 mm / 0.39 in
Voice coil winding width	18 mm / 0.71 in
Unit weight	9.6 kg / 21.2 lb
Shipping weight	10.6 kg / 23.4 lb
Packaging dimension	415x415x220 mm
WxDxH	16.3x16.3x8.7 in

Thiele Small Parameters

Fs	52 Hz
Re	5.5 Ohm
Qms	8.05
Qes	0.56
Qts	0.52
Bl	17.76 Tm
Mms	98.12 g / 3.5 oz
Mmd	83.07 g / 2.9 oz
Vas	102.37 lt / 3.6 cu.ft ³
Sd	881 cm ²
Le	0.60 mH
Cms	9.4e - 05 m/N
Rms	4.04 Ns/m

Frequency response and Impedance curve



P.AUDIO SYSTEM CO.,LTD.