



EM SERIES

EM12-LB300

Low Frequency Ferrite Woofer



Features

- 3" Voice Coil
- 1200 Watts Peak Power Handling
- 95 dB Sensitivity
- Ferrite Magnetics
- 2 Layer Round Wire Coil Design
- Stamped Steel Chassis

Applications

The P Audio EM12-LB300 is a high performance 12 inch (305mm) diameter low frequency/full range transducer. The EM12-LB300 is an excellent choice for full range two way designs where high reliability and power handling as well as excellent transient detail are specified.

The EM12-LB300 features 1200 watt peak power handling (300 watts continuous) and extended bandwidth frequency response. The 3 inch voice coil diameter provides excellent power handling and controlled moving mass. The result is a high efficiency design that offers high impact response and high reliability. The 3 inch coil design offers less moving mass than larger voice coil designs. The reduced moving mass offers superior transient response as well as extended high frequency bandwidth.

The EM12-LB300 offers a 40Hz to 3500Hz useable bandwidth. The performance of the EM12-LB300 is optimized when using a high pass 4th order Butterworth filter tuned to near the enclosure vent frequency. Although the woofer is rated to 3500Hz, typical high frequency crossover points will be based on the compression driver and horn combination used for the high frequency section.

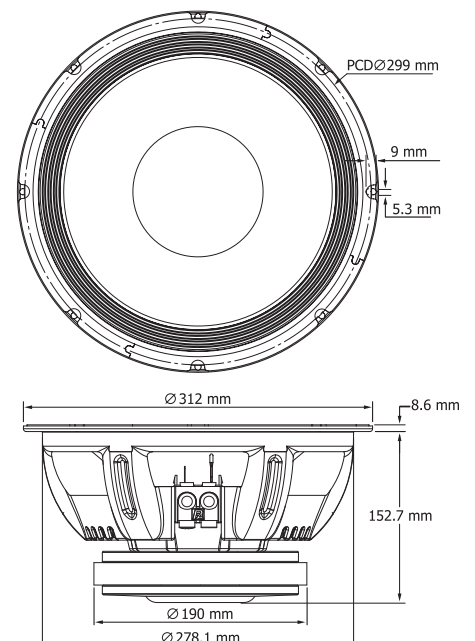
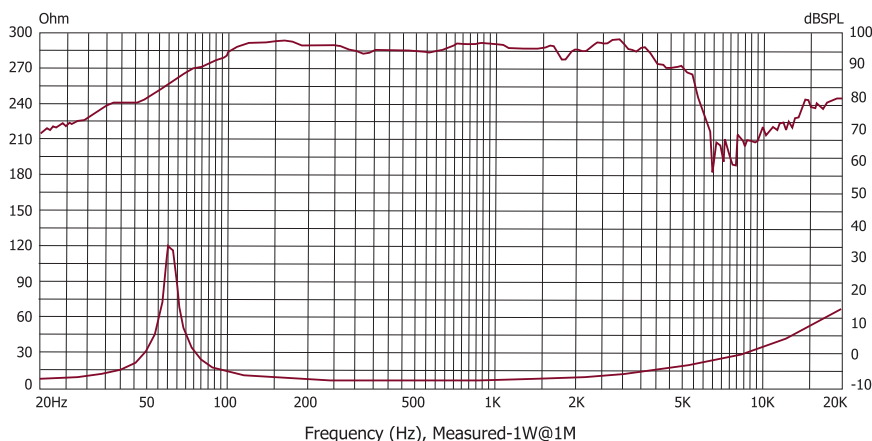
General Specification

Nominal diameter	305 mm / 12 in
Peak Power	1200 W
AES Power	300 W
Nominal impedance	8 Ohm
Sensitivity (1W/1m)	95 dB
Frequency range	40 - 3500 Hz
Chassis type	Heavy Duty Stamped Steel
Magnet type	Ferrite
Magnet weight	2.31 kg / 81.4 oz
Voice coil diameter	76.2 mm / 3 in
Coil material	Copper Clad Aluminium
Former material	Glass fiber
Cone material	Paper
Surround material	Cloth
Suspension	Single
Xmax	3.4 mm / 0.13 in
Gap depth	10 mm / 0.39 in
Voice coil winding width	16.8 mm / 0.66 in
Unit weight	7.7 kg / 17 lb
Shipping weight	8.5 kg / 18.7 lb
Packaging dimension WxDxH	355x355x200 mm 14x14x7.9 in

Thiele Small Parameters

Fs	61 Hz
Re	5.6 Ohm
Qms	9.33
Qes	0.45
Qts	0.42
Bl	16.08 Tm
Mms	53.88 g / 1.90 oz
Mmd	46.84 g / 1.65 oz
Vas	50.01 lt / 1.77 cu.ft ³
Sd	531 cm ²
Le	0.53 mH
Cms	1.3e - 04 m/N
Rms	2.23 Ns/m

Frequency response and Impedance curve



P.AUDIO SYSTEM CO.,LTD.