



iD INSPACE
DEFINITION

Compact Sound Reinforcement System



Corporate &
Public Spaces



Theatres



Bars &
Restaurants



Houses of
Worship



Immersive
Audio



iD14

A super-compact powerhouse

Employing a single, 4-inch coaxial driver, the super-compact ID14 might be the smallest loudspeaker that NEXO has ever built, but it punches well beyond its size and weight with the signature NEXO performance of powerful and dynamic full range sound. Equally at home in a hospitality environment or as part of sophisticated, immersive sound system, the ID14 features optional HF directivity and a myriad of mounting and connecting options, and finishes, delivering uniform audience coverage with low visual impact, indoors or out.

Power With Control

With a shared sonic signature, ID Series speakers create thrilling and immersive sonic experiences in the most complex acoustic environments

IP54 Rated
Installation versions of the ID24 and ID84 cabinets are IP54-rated for use in outdoor applications. ID14 is IP55-rated.



Corporate & Public Spaces



Theatres



Bars & Restaurants



Houses of Worship



Immersive Audio



iD24

Thrilling sound, venue-wide

With two 4-inch drivers in a unique V-formation and a user-rotatable horn for variable HF dispersion, the ID24 continues the theme of combining powerful, full range performance from a compact cabinet with unprecedented levels of versatility and flexibility for system designers and installers. NEXO NXAMP and DTDAMP power and processing solutions include presets for all ID24 horn settings – and all other ID Series cabinets, making it easy to configure high-performance systems in complex, zoned environments, ensuring consistently superior sonic experiences for visitors as they move throughout the venue.



ID Series cabinets can be specified in any RAL colour to ensure a low visual impact in every installation.

iD84

Taking the column speaker to new heights

NEXO's ID84 supercharges the concept of the column loudspeaker, expanding its role beyond traditional voice reproduction into powerful, high-quality music applications. Suddenly, venues like sports stadia and transport hubs can both inform and entertain visitors with thrilling and immersive audio experiences, and develop new revenue models with new types of content. And NEXO innovation extends way beyond sonic performance, as the ID84 also sets new standards in visual design, ease of installation and versatility of deployment.



Precision Sound

Right where it's needed

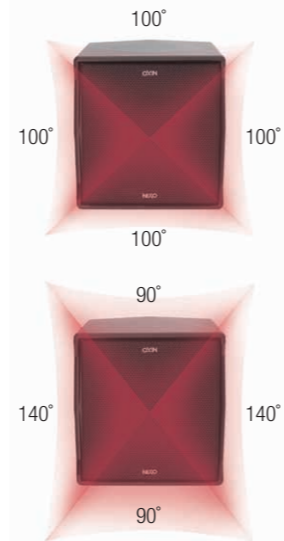
When it comes to creating the perfect immersive audio experience, directivity control is key to the superior performance of NEXO's compact ID Series speakers.

iD14

Optional dispersions

Used as a standalone speaker, partnered with the IDS108 sub or as part of a larger system with other ID Series speakers, the ID14 delivers powerful, full range sound from an exceptional compact form factor. To ensure perfect coverage in every application, the ID14 is available in two different HF coverage options: the standard 100°x100° horn, or an asymmetric version offering 90°x140° dispersion.

NXAMPMK2 power and processing provides dedicated presets for both horn options.



iD24

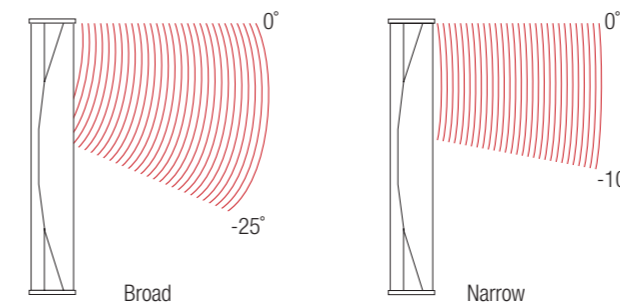
User-rotatable horn

The ID24 features a unique user-rotatable horn that lets users quickly select between 120° x 40° or 40° x 120° HF coverage, bringing unparalleled flexibility to the world of compact speakers. You don't even have to remove the grille or open the cabinet. And the versatility of the ID24 is further enhanced by a selection of horn options with dispersions including 60° x 60°, 90° x 40°, 120° x 40° and 120° x 60°.

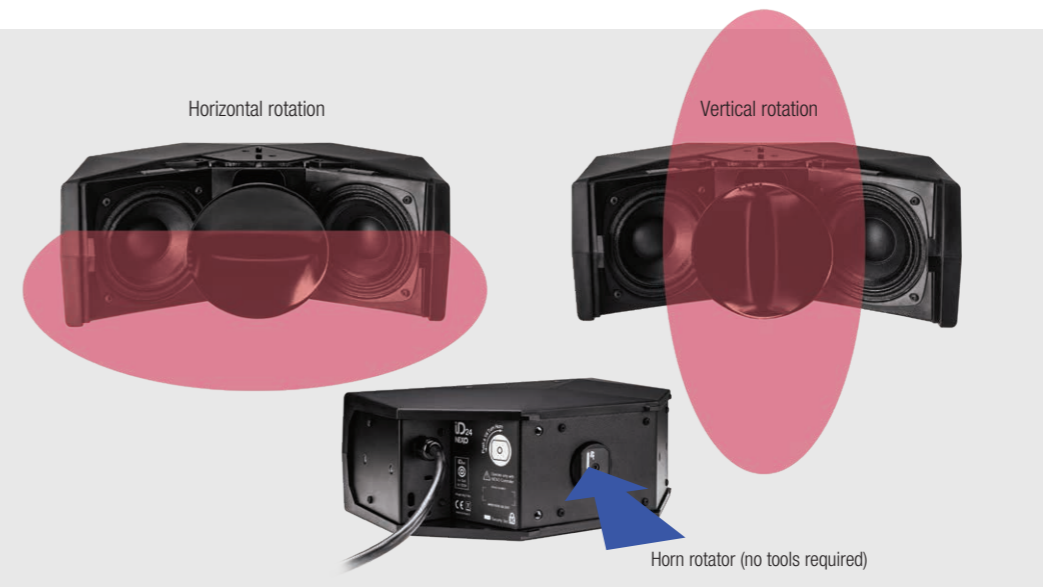
iD84

Switchable vertical directivity

The ID84 features a unique and easy to use system for changing vertical high frequency dispersion. A switch on the rear of the cabinet controls a passive filter which effectively changes the delay settings of the dome tweeter array at the top of the cabinet which, in turn, switches the HF vertical dispersion from broad (0° to -25°) to narrow (0° to -10°). The facility to create longer columns by joining cabinets vertically provides additional control over LF directivity (see page 8), resulting in a column speaker that's uniquely adaptable for its environment and application.



Vertical dispersion switch on the rear of the ID84 column.





iD84

Column speaker

Measuring 150mm wide x 215mm deep x the standard 1m high (39.0" x 5.9" x 8.5") and weighing 15kg (33lbs), the ID84 uses eight 4 inch drivers and an array of dome tweeters on a curved baffle in a light weight aluminium cabinet with a rigid steel spine. The choice of dome tweeters over a conventional HF compression driver results in particularly low levels of distortion and contributes to a 'hi-fi' performance that extends the ID84's suitability well beyond the traditional column speaker role of voice reproduction into music applications. The ID84 achieves a frequency range of 90Hz to 20kHz with a peak SPL of 136dB. The unique directivity switch on the rear panel enables instant switching of vertical HF dispersion, and cabinets can be linked 'end-to-end' to create longer columns. Multiple rigging options and a comprehensive range of accessories make it easy to deploy the ID84 in a wide range of fixed installations and mobile applications.

Using an array of dome tweeters rather than a compression driver significantly lowers HF distortion and gives the ID84 a 'hi-fi-like' sonic character.



Installed Systems



Wall mounting

ID accessories make it easy to wall-mount ID84 columns.



Rigging

A small bumper can be fixed to the top of the cabinet for hoist-mounting.

Mobile Applications



Pole mounting

ID84s can be pole mounted on a base board to create an elegant, freestanding system.



Rigging clamp

Rigging clamps are available for truss-mounting.



Sub mounting

An ID84 on a IDS312 sub creates a powerful, but visually unobtrusive FOH system.



Floor mounting

Adding an ID84L beneath the main ID84 cabinet creates a visually appealing and highly-effective full-range system.

ID84 Touring, Install, TIS and Low-Extension Models

Also available, the ID84L is an LF extension version of the ID84, identical in every way but without the dome tweeters. Touring versions of both models feature Magnelis steel grilles. Installation versions use an acoustic cloth over the front of the grilles. The TIS version is actually a Touring version plus the acoustic cloth in front. All versions are available in black, white or custom RAL colour on request. Connectivity on the Touring versions is via a Speakon connector on the rear plate, while Installation versions use a cable gland with a 2 core cable for audio input, ensuring IP54 protection.



ID84-T

ID84-I



ID84-TIS

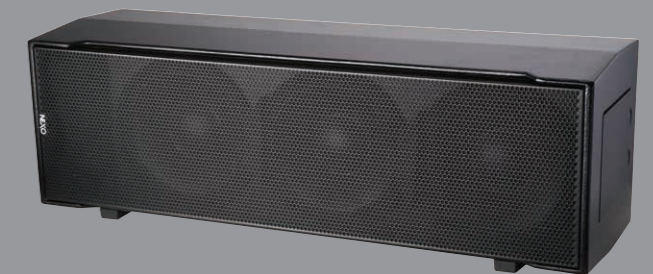
ID84L-T

ID84L-I

ID84L-TIS

IDS312 Subs

A dedicated 3 x 12" sub features a convenient system for mounting and connecting an ID84 cabinet on top, extending system LF response down to 40Hz and creating a full range system that's 2m in height. The IDS312 also features rubber strips to isolate vibration in horizontally-mounted applications.

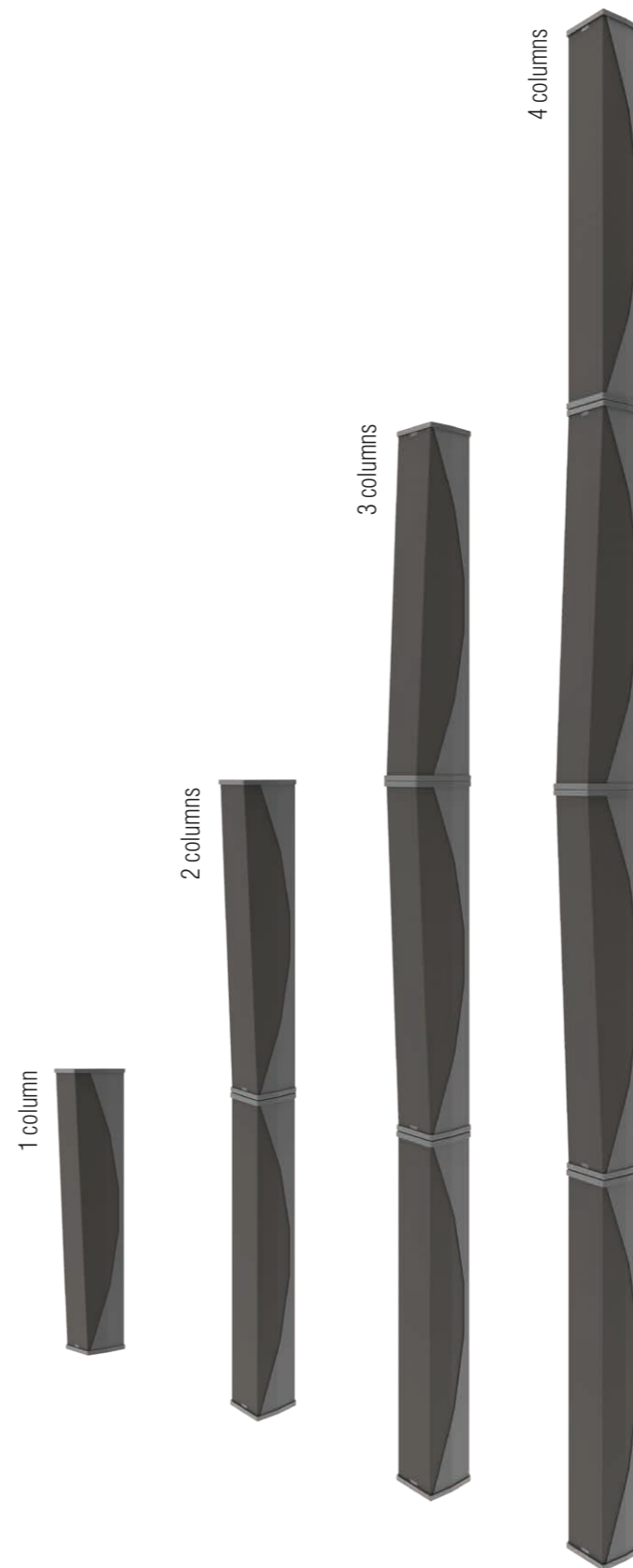
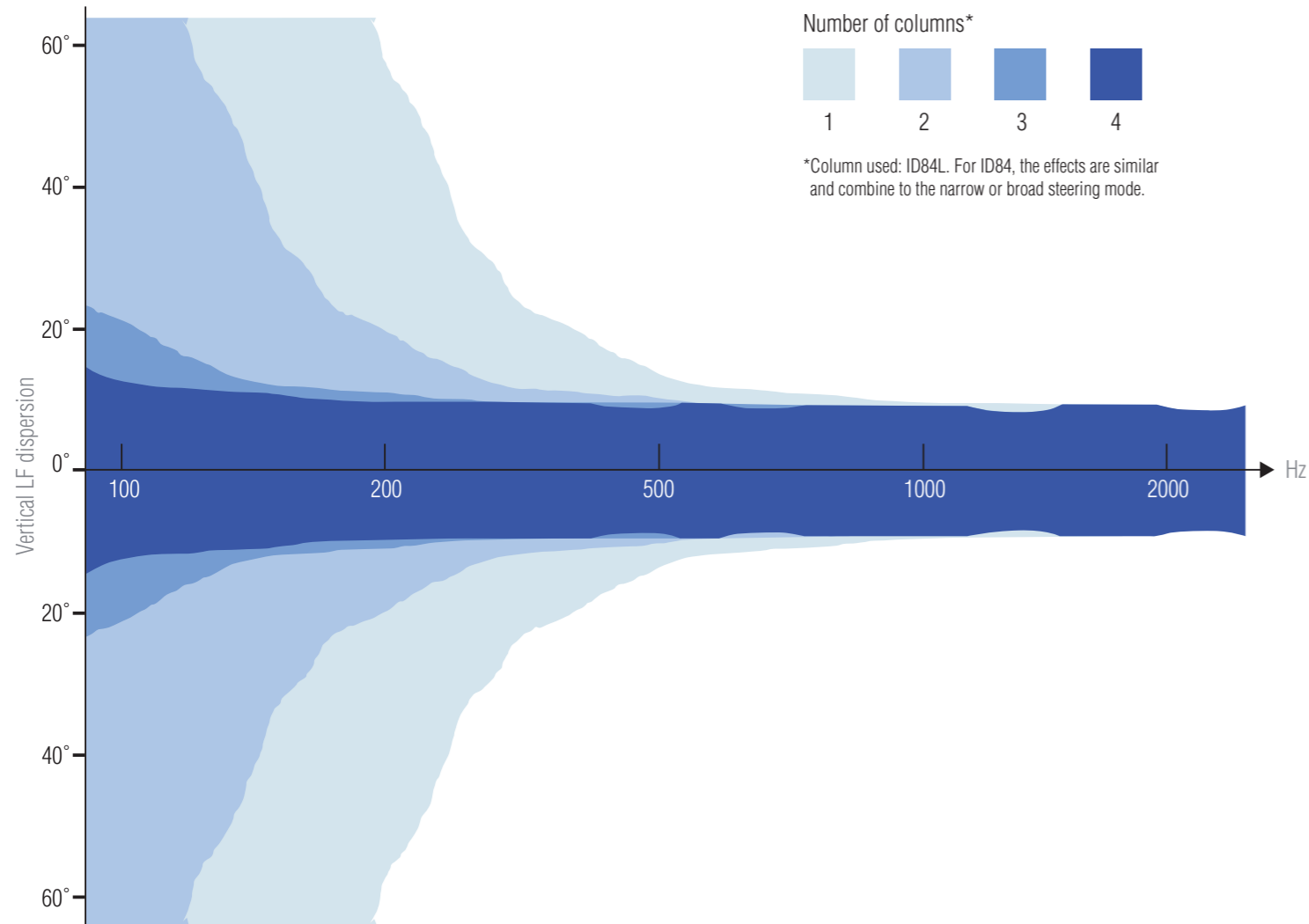


IDS312-T / IDS312-I

iD84

Superior LF control

As cabinets are joined together to create longer columns in 1 metre increments, so the low frequency dispersion becomes more focussed, increasing clarity and intelligibility in large space applications like train stations and shopping malls.



Instant cabinet coupling

A dedicated coupling bracket is used to join cabinets to create longer columns. ID84 cabinets are joined with the top cabinet inverted, such that tweeters are close-coupled for uncompromised high frequency performance.





iD₂₄

Compact speaker

Measuring 132mm x 309mm x 233mm (5.2" x 12.2" x 9.2") and weighing 6kg (13lbs), the ID24 uses twin 4 inch drivers in a V formation in a robust Polyurethane cabinet and achieves a frequency range of 95Hz to 20kHz with a peak SPL of 126dB. The unique, user-rotatable horn can be used to quickly select a range of HF directivity options, ensuring that horizontal and vertically mounted cabinets can be matched precisely to the application, with a dedicated preset for each horn option in the NXAMP powered controller to ensure perfect coverage at any frequency. Multiple rigging options include threaded M10 on Install models and rigging points on touring versions.

Installed Systems



Horizontal mounting

Compact and powerful, ID speakers and subs are ideal for discreet horizontal placement, bracketed to walls or ceilings.



Vertical mounting

With innovative V formation drivers, ID24 is equally at home mounted horizontally or vertically.



Bracket mounting

The U-Bracket can be used to mount ID24 to a variety of structures and surfaces.



Under balcony

Ideal for theatre applications, ID24 units can be used under balconies to reach the audience areas that the main system does not cover.

Mobile Applications



Stage front-fill

Use ID24 to 'beam' sound into the first rows of the audience from the stage, ensuring total coverage and the best listening experience throughout a venue.



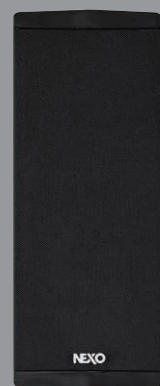
Pole mounting

For touring applications, ID24 can be quickly and easily pole-mounted using the optional IDT-TVP mounting bracket.



Flown and wedge

For live sound applications, ID24 is a single box solution that can be flown or even used as a wedge thanks to its innovative angled design.



ID24-T



ID24-I



ID24-C

ID24 Touring, Install and A La Carte Models

Touring versions of the ID24 feature Magnelis steel grilles and are available in black, white or custom RAL colours. Installation and Carte versions use an acoustic cloth over the front of the grilles and are also available in black, white or custom RAL colours. Connectivity on the Touring versions is via two Speakon connectors on the rear plate, while Installation and Carte versions use a cable gland with a 2 core cable for audio input, ensuring IP54 protection.



Install connector



Touring connector

IDS110/210 Subs

Dedicated 1x10" and 2x10" subs are available, extending ID24 system LF response down to 43Hz. With a low-profile, sleek design, IDS110 and IDS210 subs are easily installed discretely in a wide range of locations - within walls, staircases, under furniture and more. Available in Touring and Install versions, the IDS110 measures 285mm x 525mm x 550mm (11.2" x 20.7" x 21.7") and the IDS210 measures 285mm x 525mm x 550mm (11.2" x 20.7" x 21.7").

IDS110-T/IDS110-E



IDS210-T / IDS210-E



IP55 Rated
Installation versions ID14 cabinets can be specified in any RAL colour and are IP55-rated for use in outdoor applications.

iD14

Super-compact speaker

Measuring just 130mm x 130mm x 120mm (5.1" x 5.1" x 4.7") and weighing only 1.7kg (3.7lbs), the ID14 employs a single custom-designed coaxial driver in a robust Polyurethane cabinet. Despite its super-compact size, the ID14 achieves a full frequency range of 120Hz to 20kHz with a peak SPL of 116dB. Thanks to its fully symmetric design, there are no left or right version of the ID14, so all speakers in the inventory are the same. A choice of directivity options ensures that cabinets can be matched precisely to the application, with a dedicated preset for each horn option in the NXAMP powered controller to ensure perfect coverage at any frequency. Multiple rigging options are provided by a threaded M10 on each side of the cabinet, and two M6 inserts with a 73mm pitch on the back.

Installed Systems



Wall mounting

M6 inserts with a 73mm pitch are ready to receive NEXO wall mounting accessories.



Sub mounting

The ID14 can also be mounted directly onto the IDS108 sub.



Bracket mounting

The U-Bracket can be used to mount ID14 to a variety of structures and surfaces.

Mobile Applications



Pole mounting

The ID14 can be pole-mounted on the IDS108 sub for mobile applications.



Mic stand mounting

A threaded M10 on each side of the ID14 enables mounting on a microphone stand.



Stage front-fill

Use ID14 to 'beam' sound into the first rows of the audience from the stage, ensuring total coverage and the best listening experience throughout a venue.



ID14 Touring and Install Models

Touring versions of the ID14 feature Magnelis steel grilles and are available in black, white or custom RAL colours. Installation versions use an acoustic cloth over the front of the grilles and are also available in black, white or custom RAL colours. Connectivity on the Touring versions is via two Speakon connectors on the rear plate, while Installation versions use a cable gland with a 2 core cable for audio input, ensuring IP55 protection.



Install connector



Touring connector

IDS108 Subs

Measuring 305mm x 307mm x 305mm (12.0" x 12.1" x 12.0") and weighing 8 kg (17.6 lbs), the IDS108 sub employs a single 8" long excursion Neodymium driver. The perfect partner to the ID14, the IDS108 is also available in touring and install versions, extending LF down to 50Hz.



IDS108-I

IDS108-T

Plug & Play Power and Processing

A choice of compact, cost-effective 4-channel amplification and processing solutions feature phase-coherent presets for all directivity versions of all ID Series speakers.



NXAMP4x2 MK2

With DSP presets for all directivity versions of ID Series cabinets and subs, NEXO powered controllers make it easy for designers to create the perfect ID Series system for every application or installation.

NXAMP4x2 MK2

The result of a close collaboration between NEXO and Yamaha and available in 4 x 1300 Watts, 4 x 2500 Watts and 4 x 4500 versions, NXAMP4x2 is the perfect, light weight, 'Plug & Play' power and control solution for larger ID Series systems. NXAMP4x2 features 4 x ultra-low distortion Class D amplifiers and PFC technology, with all essential parameters accessible via a large colour touchscreen on the front panel.

DTD/DTDAMP

Ideal for powering fixed installations of NEXO ID Series systems, the 4-channel, 1U rack-mounting DTDAMP is available in two versions: 4 x 700 Watts and 4 x 1300 Watts. The DTDAMP partners perfectly with Touring and Installation versions of NEXO's DTD Controller to create a compact, light-weight, intelligent powering and control solution that's easy to configure and operate.

DTD-T touring version



DTD-I install version



System Design and Control

A comprehensive suite of software applications for designing, controlling and monitoring ID Series systems.

NXAMP4x2's native dual Ethernet card facilitates remote control and daisy-chaining of amplifiers and seamless integration with NEXO's NeMo amplifier management software, with optional Dante, EtherSound and AES network cards also available. NXAMP4x2 can also be controlled directly from Yamaha digital mixing consoles and is included in Yamaha's ProVisionaire control and monitoring software for installed systems.



NeMo

System Management and Remote Control solution for networked NEXO Powered TD Controllers

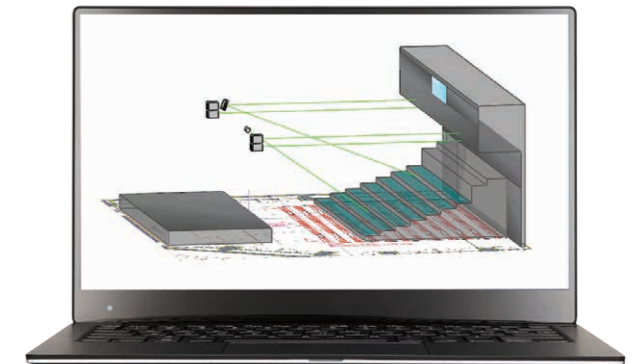
Available to download free of charge, NS-1 is a powerful and intuitive system configuration and simulation tool enabling NEXO users to configure and optimise the performance of any NEXO system by predicting its behaviour in any venue to ensure uniform SPL coverage.



ProVisionaire

An intuitive drag and drop interface includes ID Series and other all NEXO systems and sub bass cabinets, with measured speaker data processed along with complex mathematical data to predict SPL and delay coverage in 3 dimensions. NS-1 combines full acoustical and mechanical computations along with tools for optimising curved vertical array design. A Help section defines mechanical constraints to establish flown system safety, and generates reports for system dimensions, weight, gravity centre position, forces, moments, working load and safety factors.

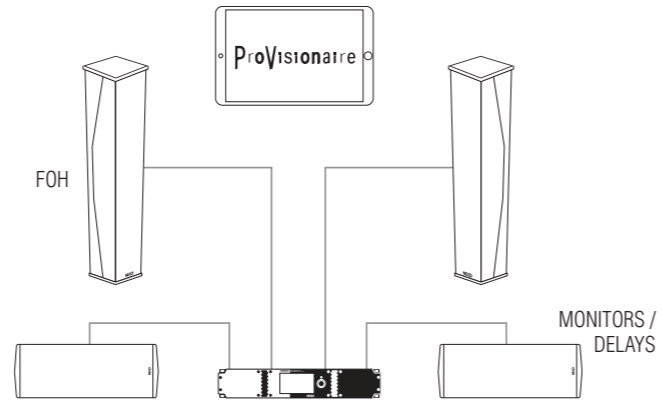
Installers are also invited to use NEXO's free System Design service. Visit nexo-sa.com/design for more information.



NS-1

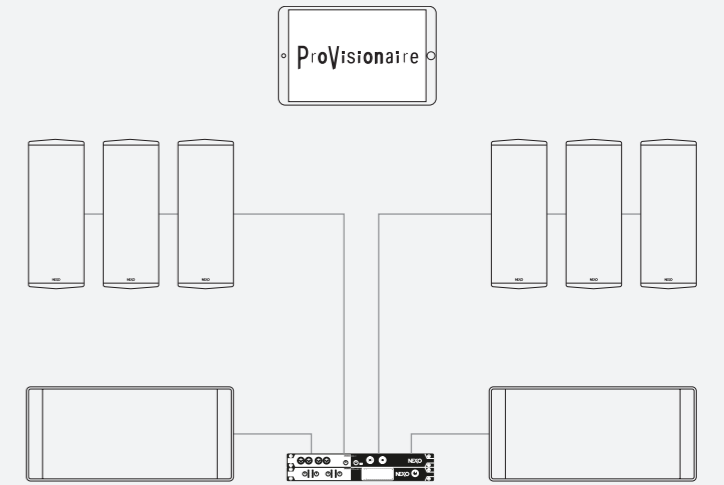
Typical Systems

Education



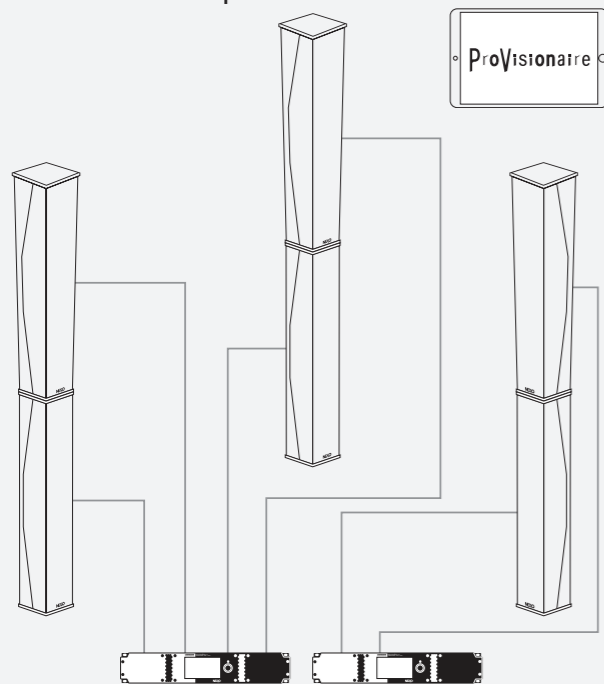
1 x ID84 + 1 x ID24 per side powered by NXAMP4X1MK2 (one channel per cabinet)

Bar



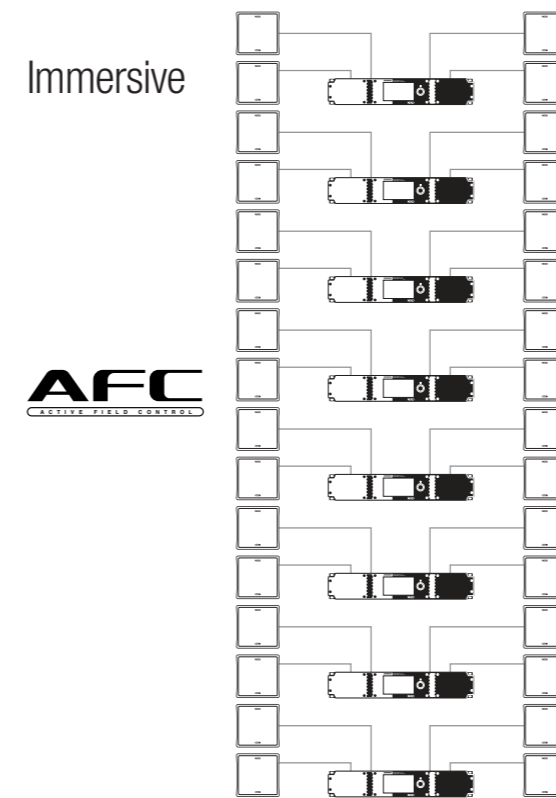
3 x ID24 + 1 x IDS110 per side powered by DTD/1 x DTDAMP4X1.3

House of Worship



3 x ID84 + 3 x ID84L powered by 2 x NXAMP4X1MK2

Immersive



8 x 2 x ID14 per side powered by NXAMP4X1MK2



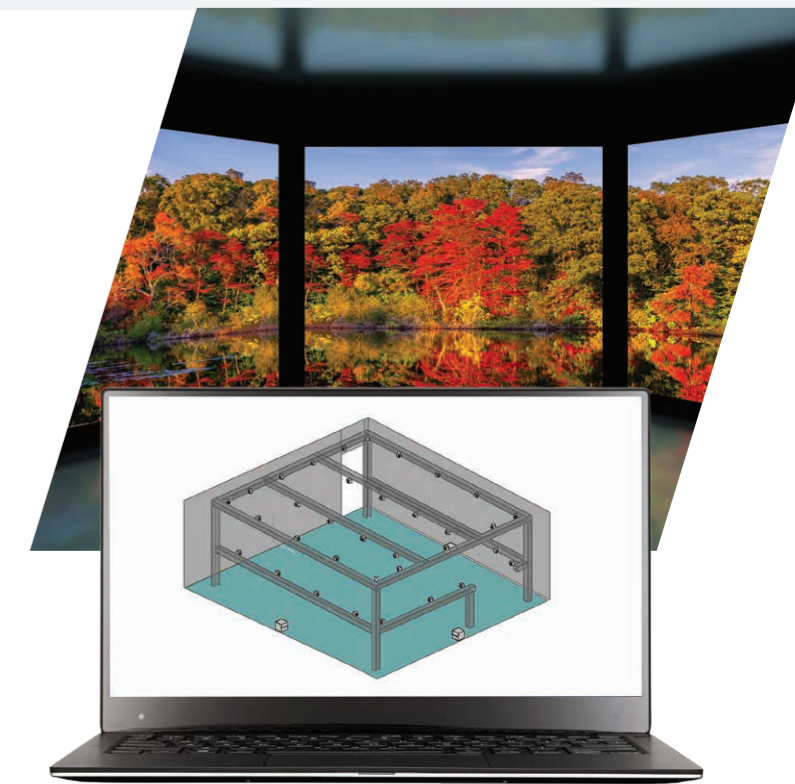
NS-1



NS-1



NS-1



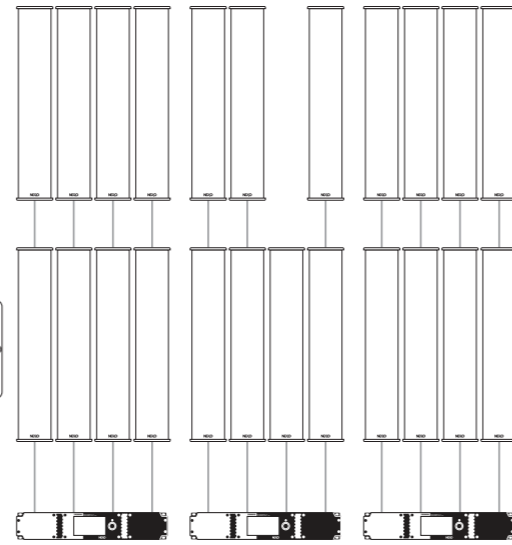
NS-1

Typical Systems

Airport



NS-1

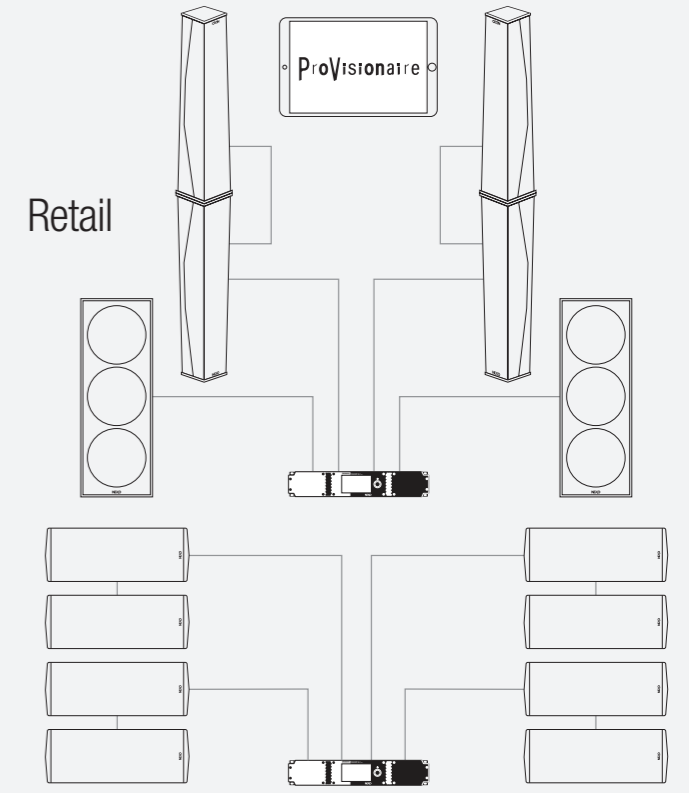


2 x ID84 per channel powered by NXAMP4X2MK2



NS-1

Retail

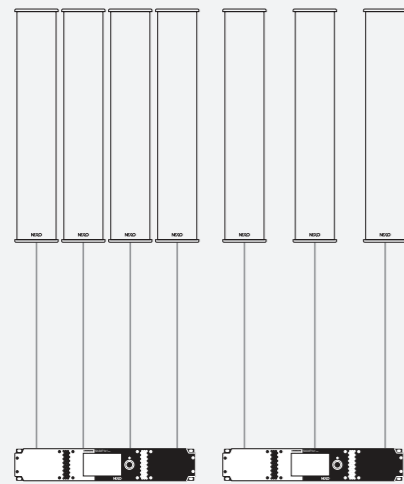


2 x ID84, 1 x IDS312 and 4 x ID24 per side, powered by NXAMP4X1MK2

Sports Stadium

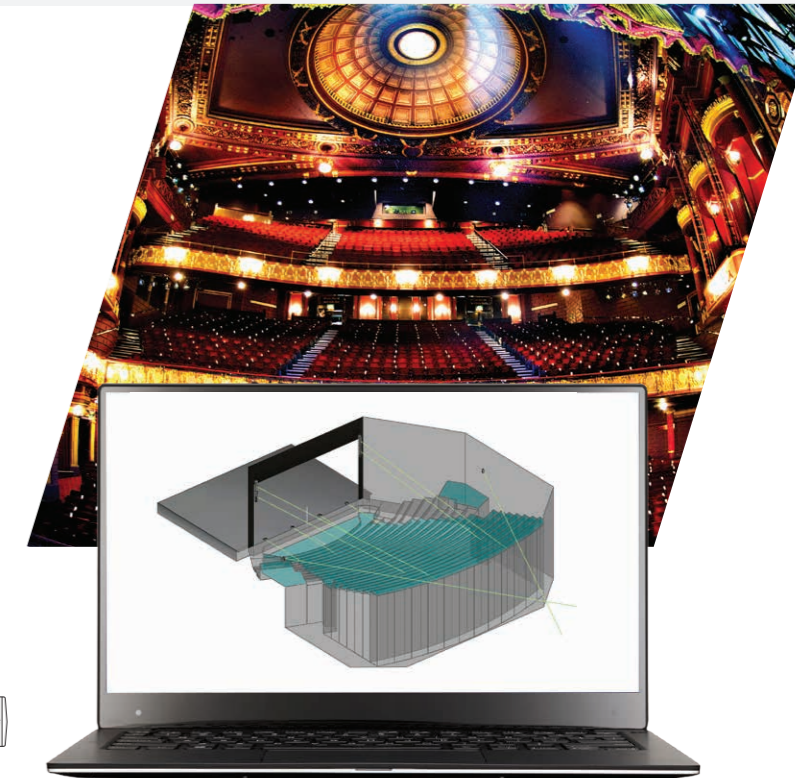


NS-1

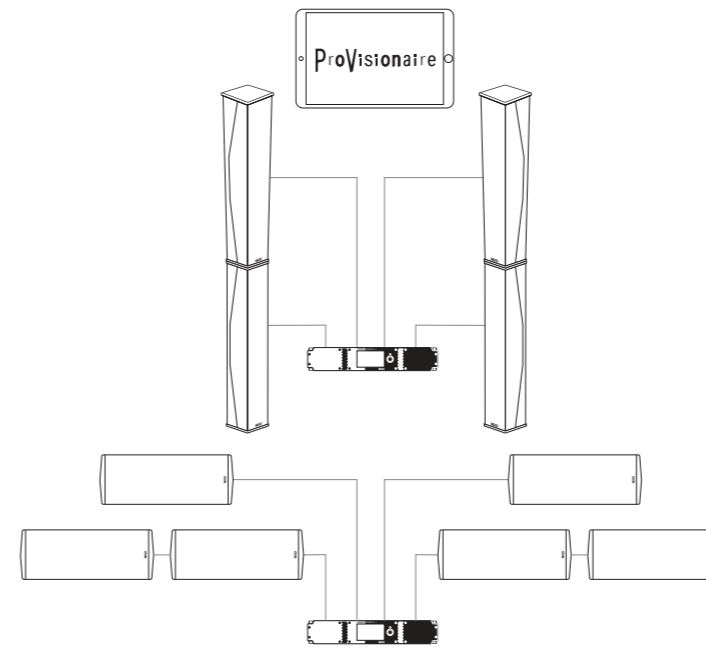


1 x ID84 per channel, powered by NXAMP4X1MK2

Theatre



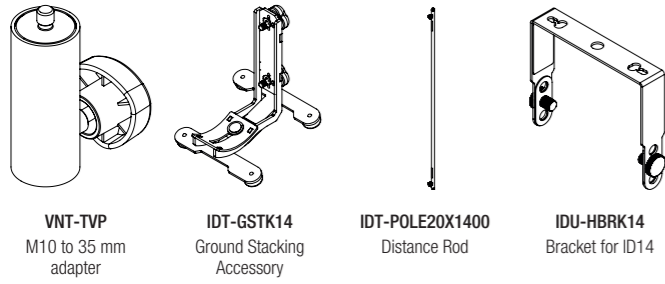
NS-1



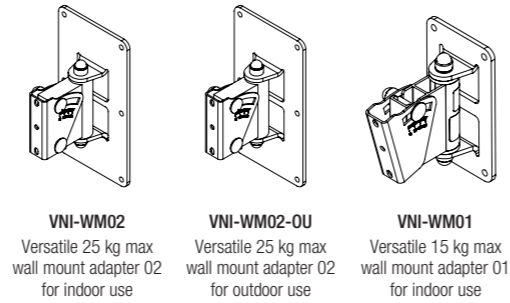
2 x ID84 FOH, 4 x ID24 front fills and 2 x ID24 side fills, powered by NXAMP4X1MK2

ID Series Touring and Installation Accessories

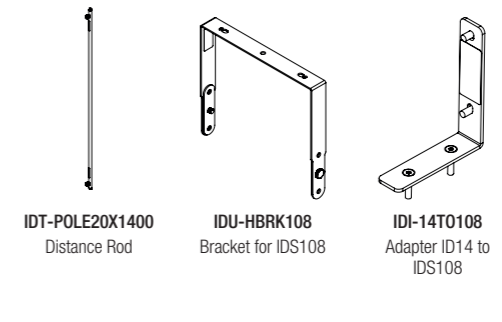
ID14 Touring Accessories



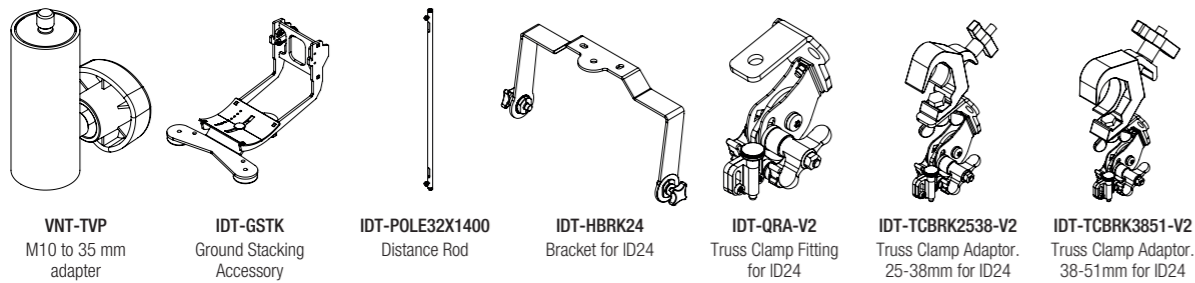
ID14 Installation Accessories



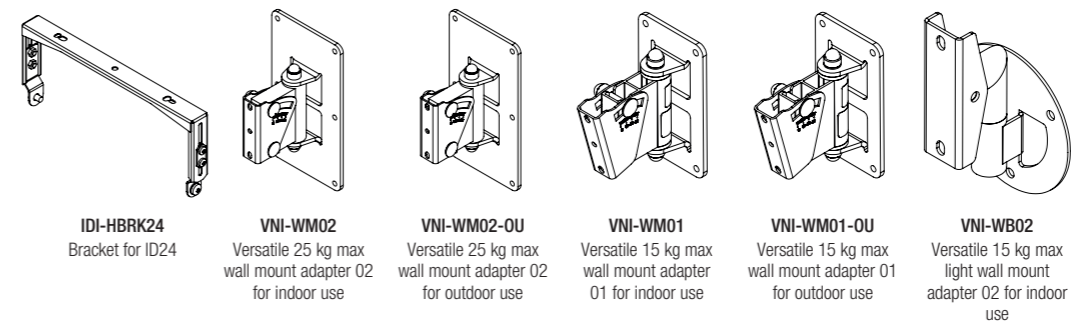
IDS108 Accessories



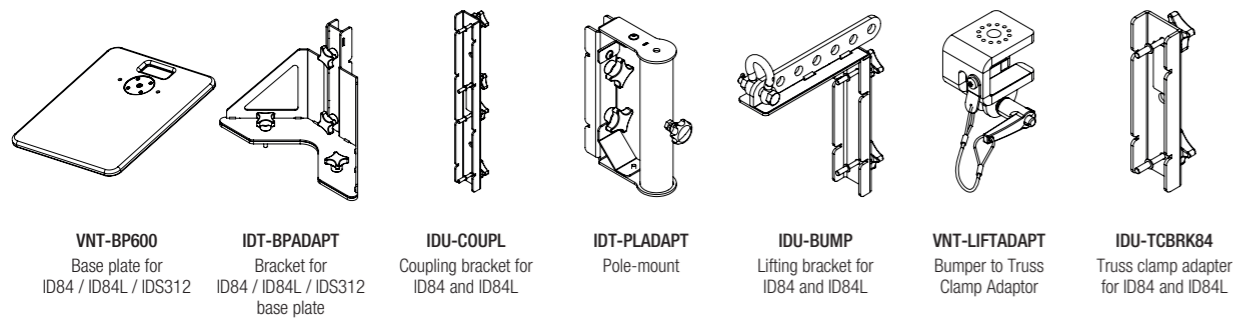
ID24 Touring Accessories



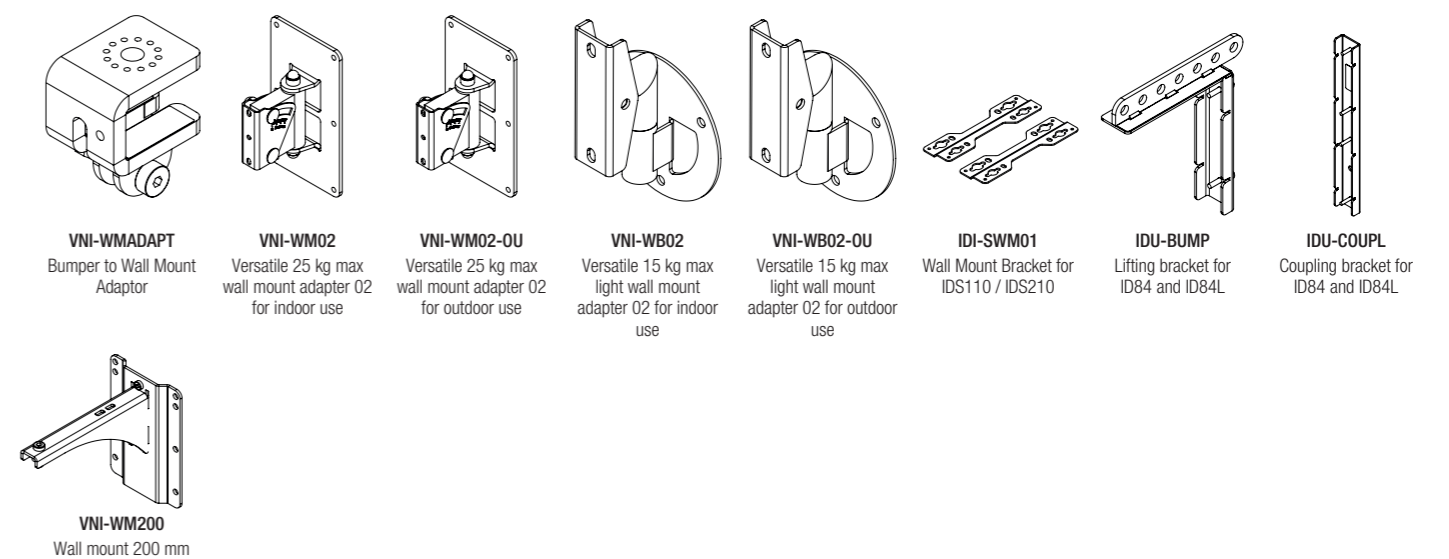
ID24 Installation Accessories



ID84 Touring Accessories



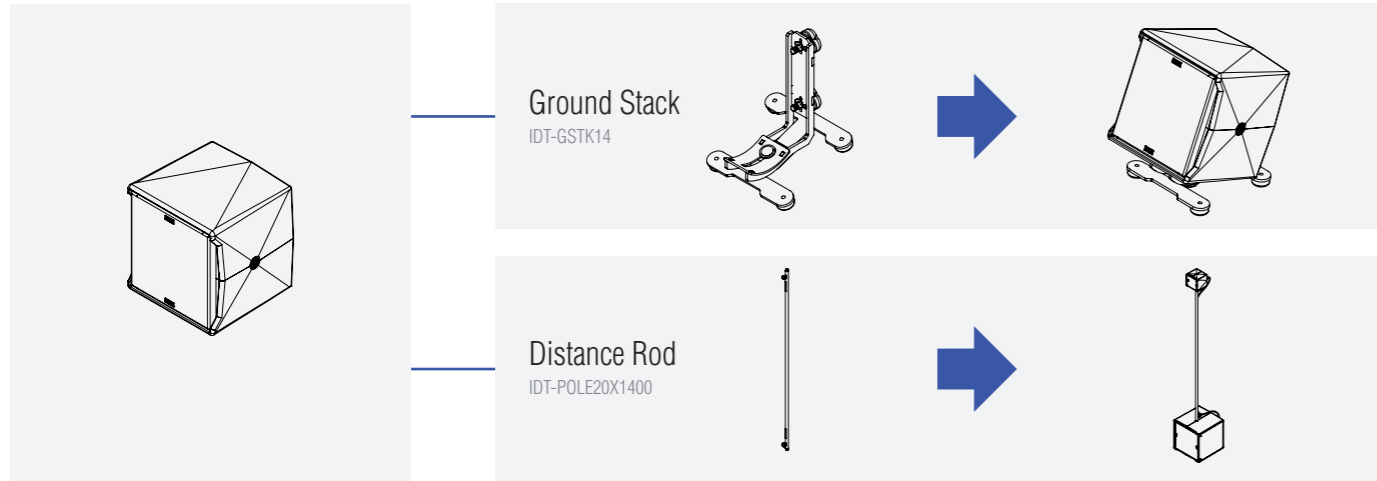
ID84 Installation Accessories



Floor Mounting Applications

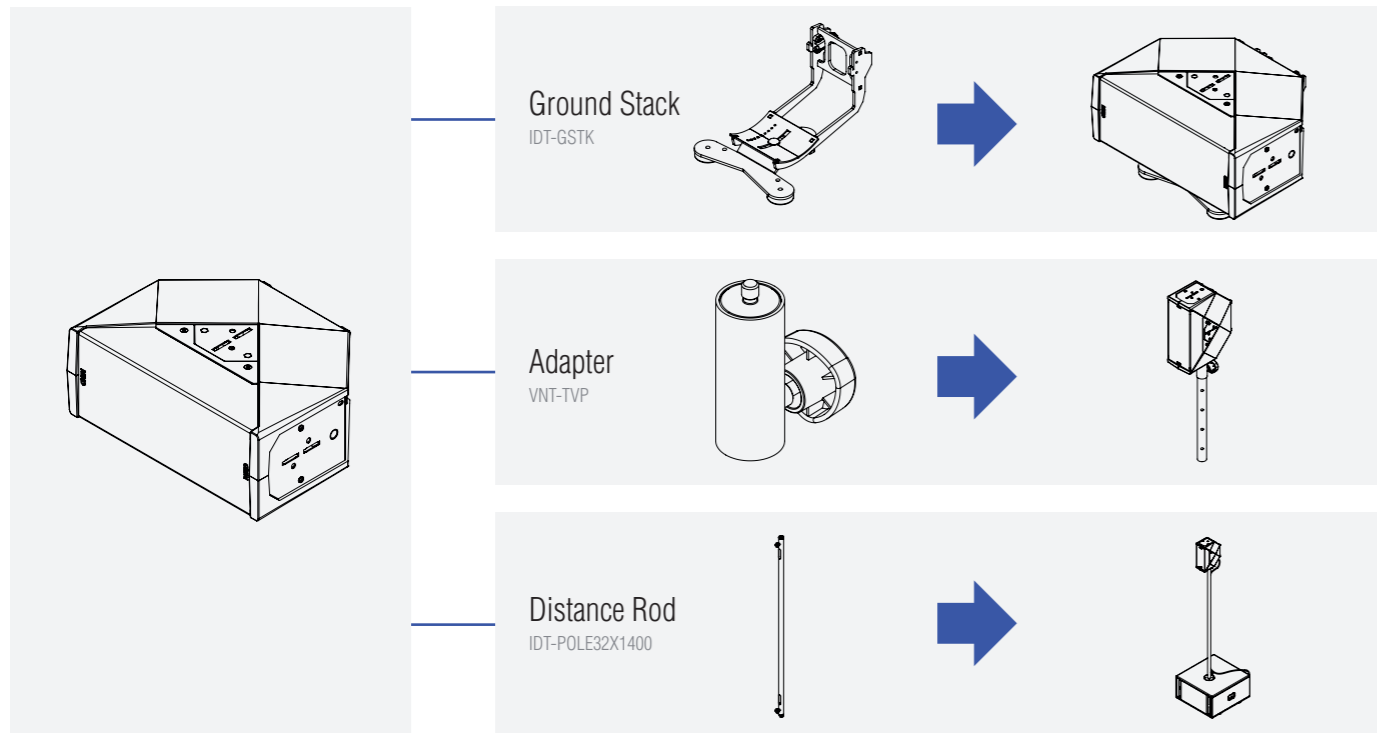
ID14

Can be used with:



ID24

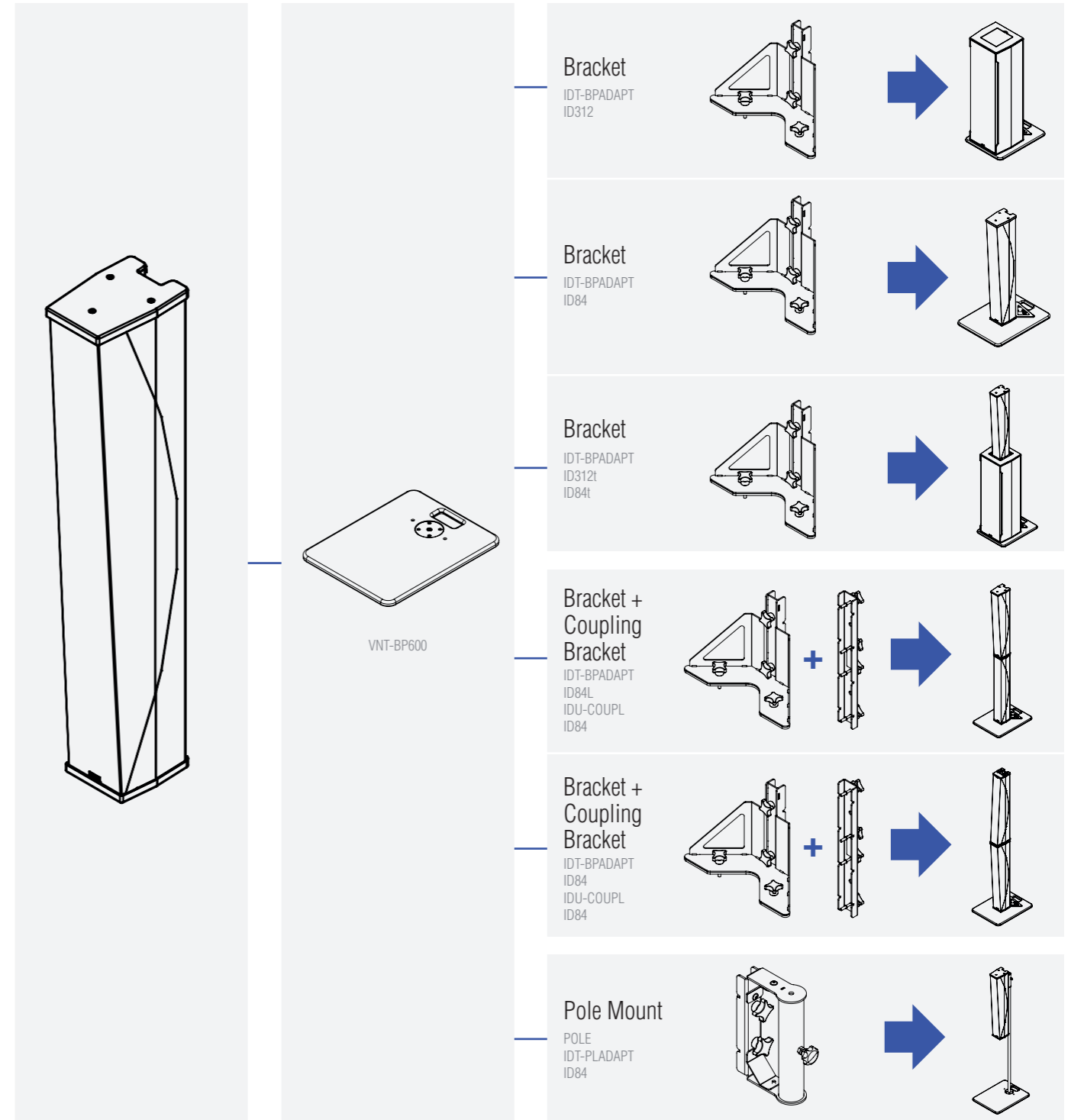
Can be used with:



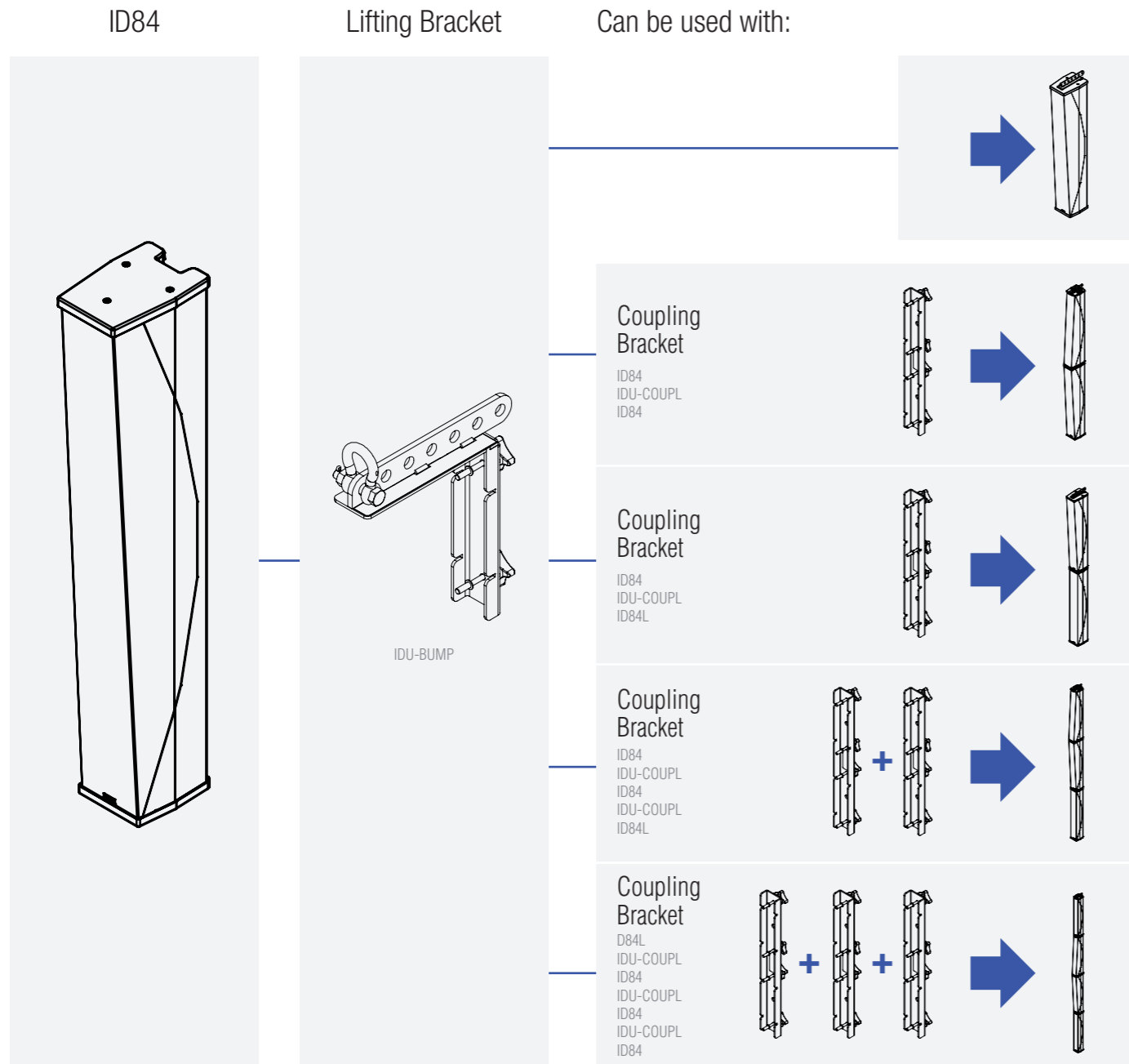
ID84

Base Plate

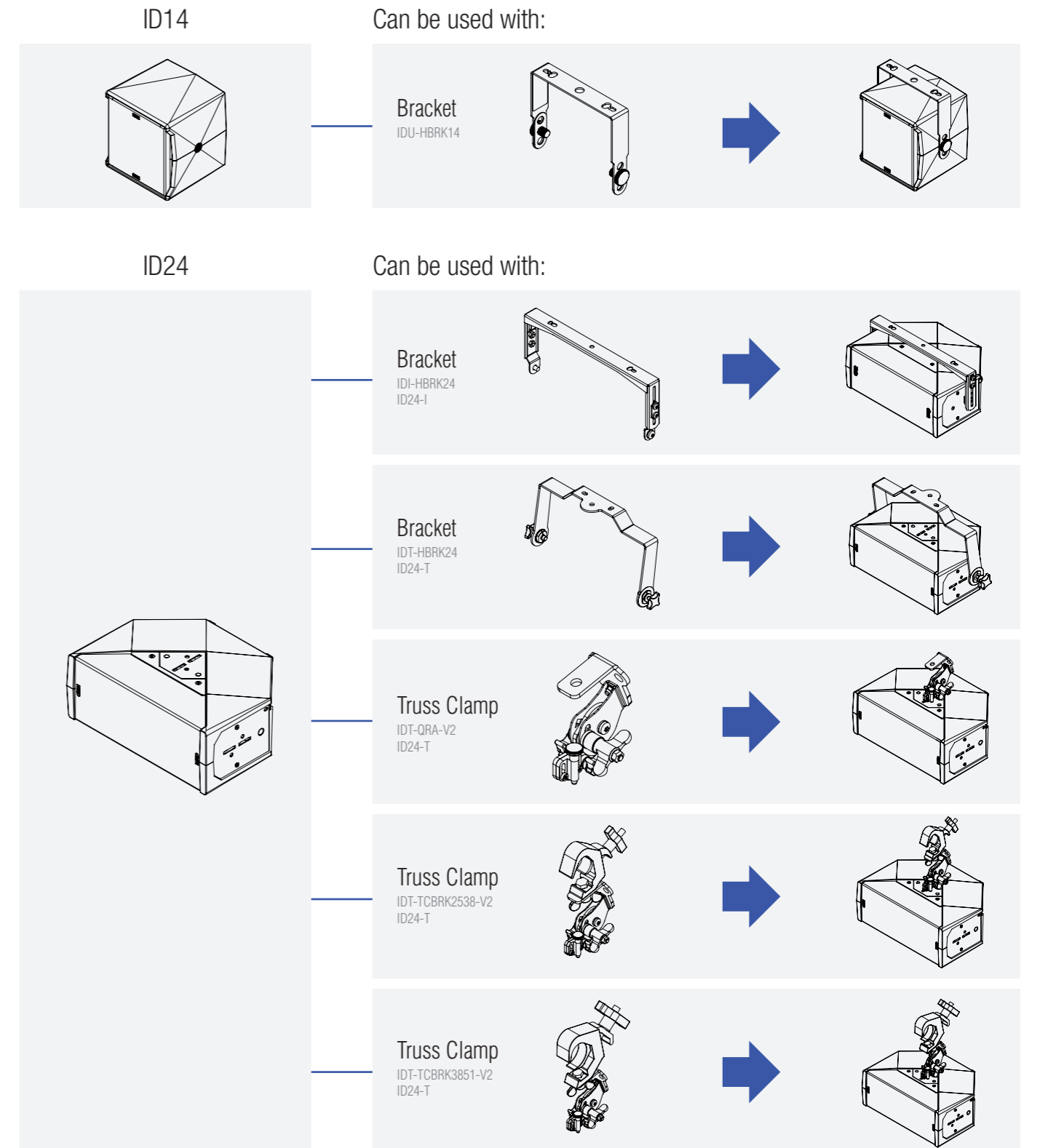
Can be used with:



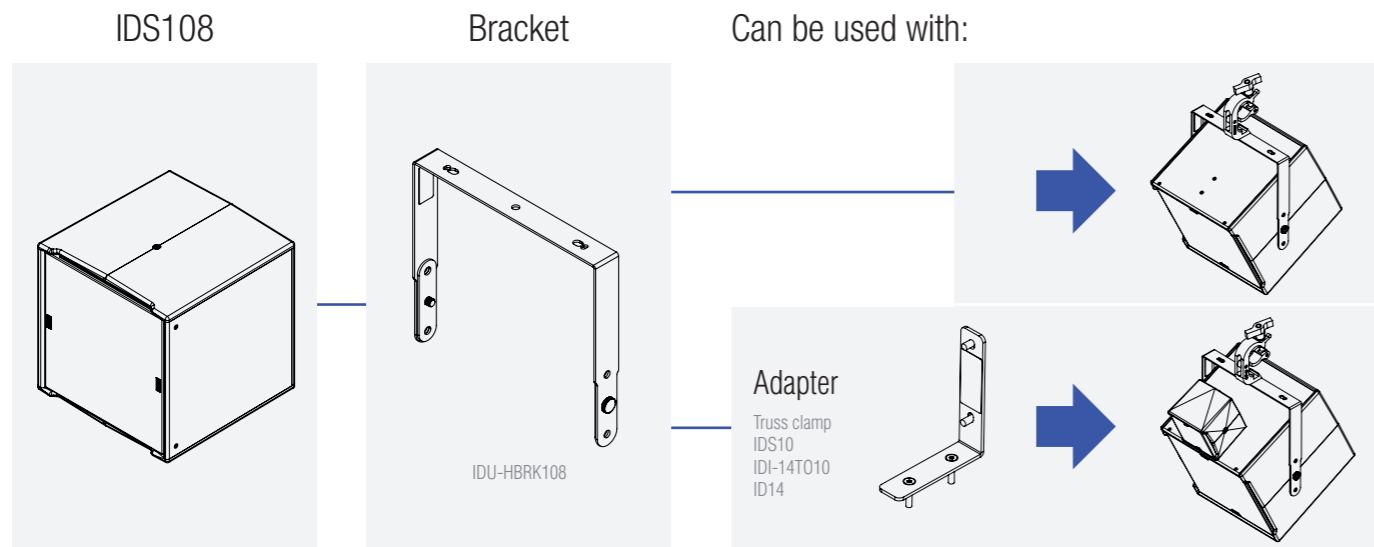
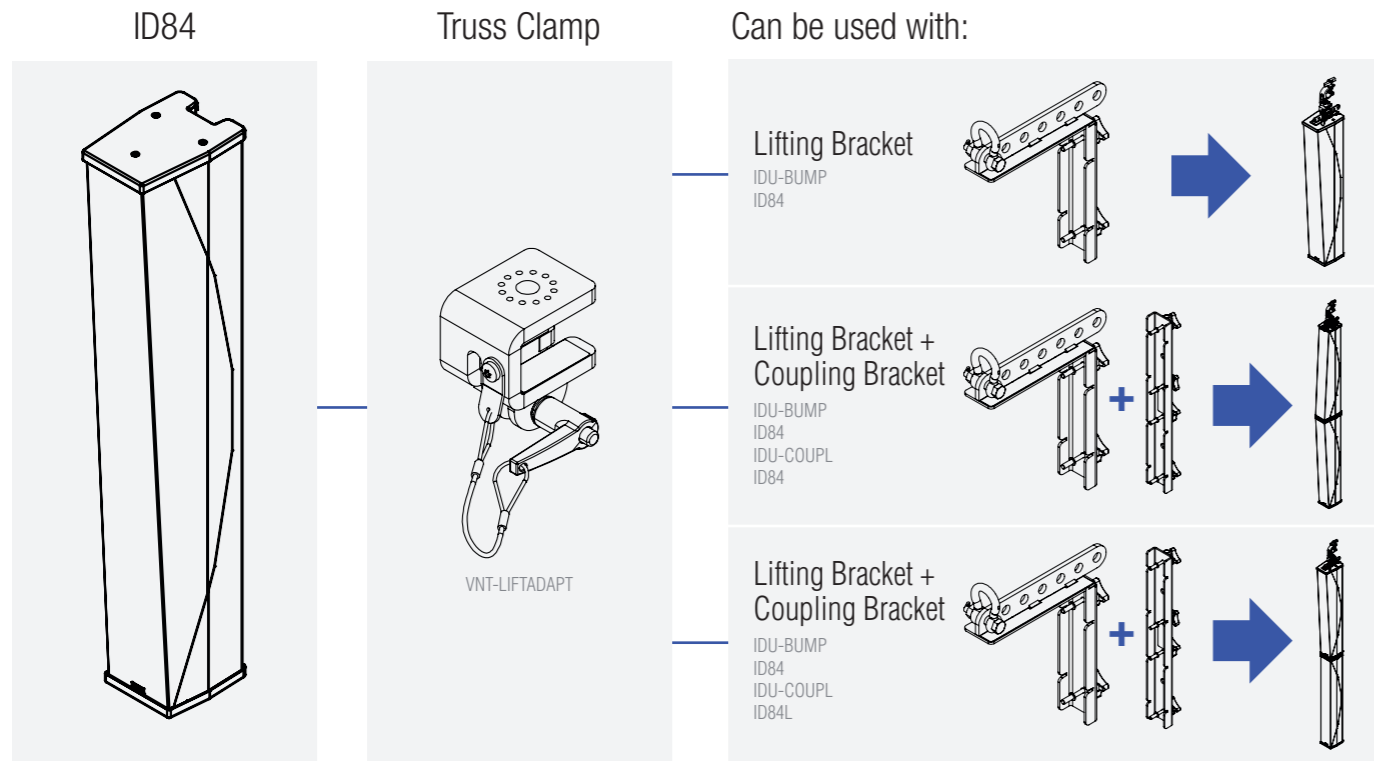
Hoist Mounting Applications



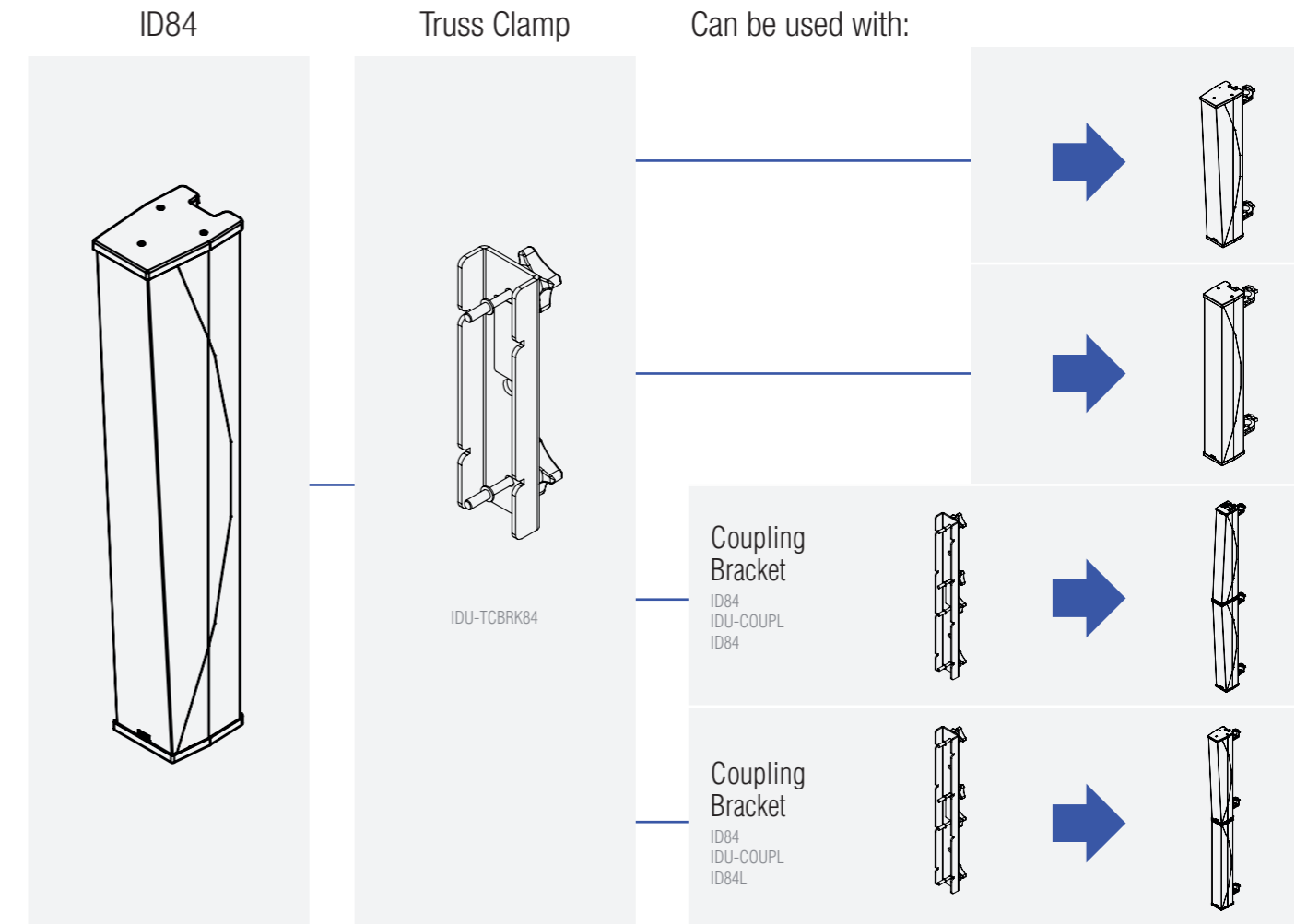
Horizontal Truss Applications



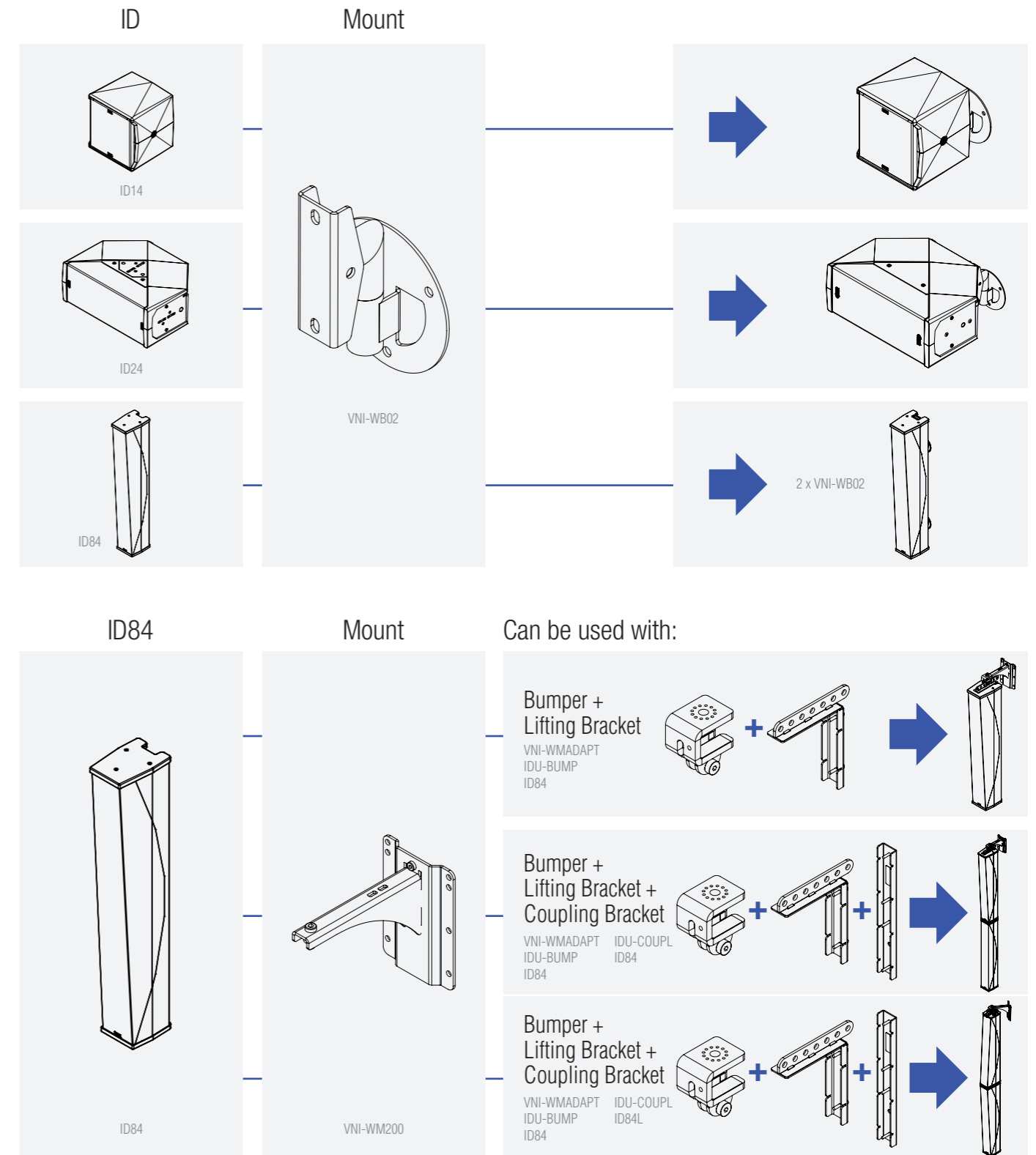
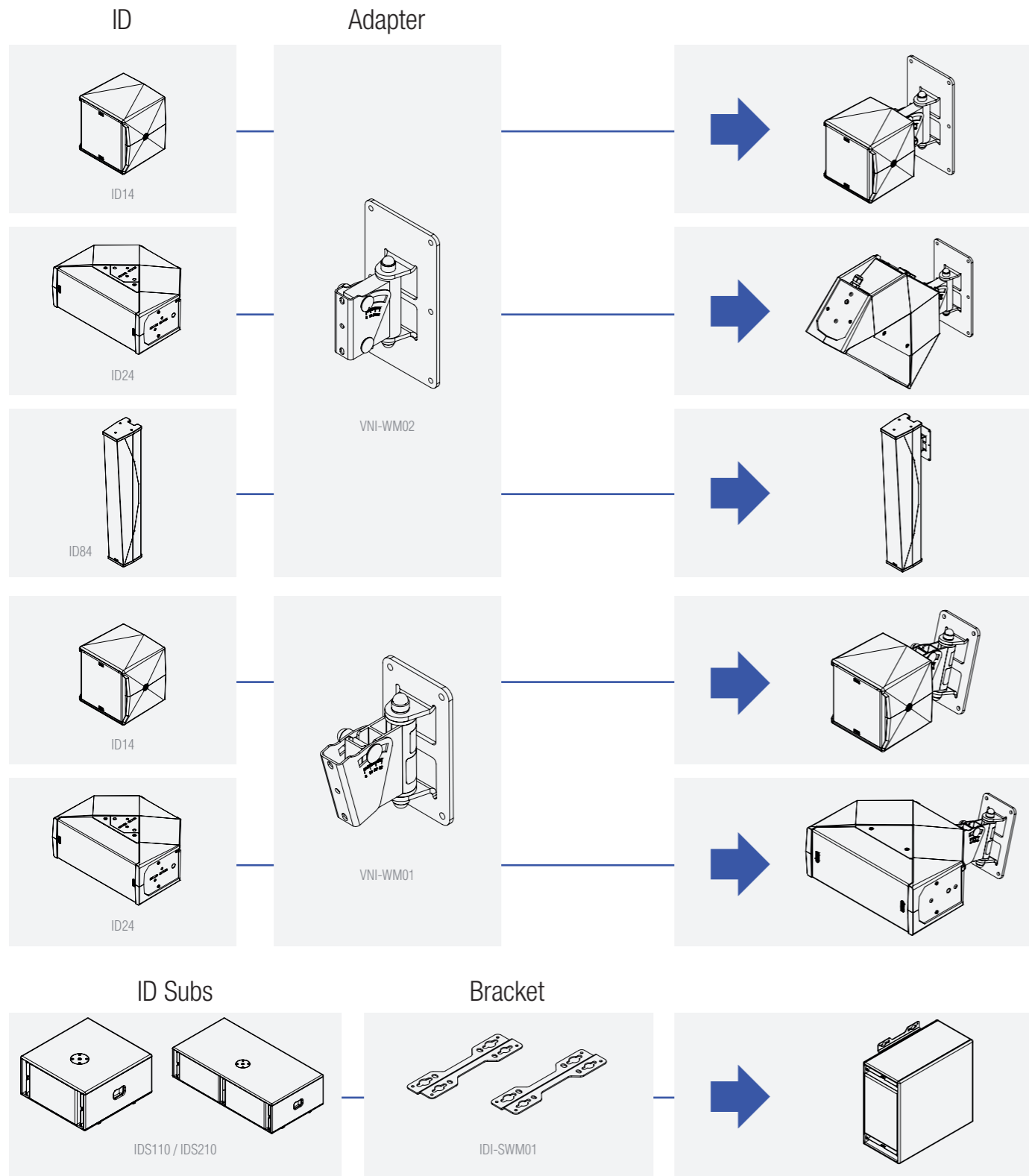
Horizontal Truss Applications



Vertical Truss Applications



Wall Mounting Applications



Specifications

	ID14 with NEXO Processing			
	ID14-I	ID14-T	IDS108-I	IDS108-T
Frequency Response @-6 dB	120 Hz to 20 kHz		50 Hz to 150 kHz	
Sensitivity	95 dB		95 dB	
Peak SPL@1m	116 dB		122 dB	
Available Crossover Frequencies	120 Hz, 150 Hz		50-120 Hz, 50-150 Hz	
HF Dispersion	100° x 100° or 90° x 140°			
Nominal Impedance	16Ω		8Ω	
Recommended Power	110 to 180 Watts / 16 Ohms (requires a 220 to 360 Watts / 8 Ohms amplifier)		350 Watts to 550 Watts / 8 Ohms	
Product Features				
Number of ways	2 ways passive			
Components	1 x Coaxial Neodymium LF 4" long excursion & HF 1.4 diaphragm		1 x 8" 8 Ohms Long excursion Neodymium driver	
Narrow/Wide mode selection				
Connectors	1 x Cable gland with 2 cores cable	2 x NL4, 4 poles connectors (1+/- Through /2+/- ID14)	1 x Cable gland with 2 cores cables	2 x NL4, 4 poles connectors (1+/- IDS108 / 2+/- Through)
Rigging points	1 x M10 on each side for dedicated U bracket + 2 x M6 / 73 mm pitch at the back		2x M10 Threaded inserts + 2 x M6 threaded inserts	
Construction	Water-resistant Polyurethane		Finnish birch plywood	
Finish	Black: Raw sandblasted polyurethane / White: Structural paint		Black or White structural paint	
Front Finish	UV & Fire Resistant acoustic fabric fitted Magnelis® front grill	Magnelis® front grill with back mesh	UV & Fire Resistant acoustic fabric fitted Magnelis® front grill	Magnelis® front grill with back mesh
Operating temperature range	0°C - 40 °C (32° F - 104° F)		0°C - 40 °C (32° F - 104° F)	
Storage temperature range	-20 °C - 60 °C (-4 ° F - 140° F)		-20 °C - 60 °C (-4 ° F - 140° F)	
Height x Width x Depth	130 mm x 130 mm x 120 mm (5.1" x 5.1" x 4.7")		305 x 307 x 305 mm (12.0" x 12.1" x 12.0")	
Weight: Net	1.7 kg (3.7 lbs)		8 kg (17.6 lbs)	
IP Rating	IP55	IP2X	IP54	IP2X
System Operation				
Recommended powering solution	DTDcontroller + DTDAMP4x0.7 : up to 4 x ID14 per channel		DTDcontroller + DTDAMP4x0.7 : up to 2 x IDS108 per channel	
Electronic Controllers	DTDcontroller + DTDAMP4x1.3 : up to 4 x ID14 per channel		DTDcontroller+DTDAMP 4 x 1.3: up to 2 x IDS108 per channel	
	NXAMP4x1mk2 Powered TDcontroller: up to 8 x ID14 per channel		NXAMP4x1mk2 Powered TDcontroller: up to 3 x IDS108 per channel	
	NXAMP4x2mk2 Powered TDcontroller: up to 8 x ID14 per channel		NXAMP4x2mk2 Powered TDcontroller: up to 4 x IDS108 per channel	
	NXAMP4x4mk2 Powered TDcontroller: up to 8 x ID14 per channel		NXAMP4x4mk2 Powered TDcontroller: up to 4 x IDS108 per channel	

ID24 with NEXO TDController Setup						
ID24-I	ID24-T	ID24-C	IDS110-E	IDS110-T	IDS210-E	IDS210-T
95Hz – 20kHz (+/- 6dB)			43 Hz to 130 Hz (+/- 3dB)		43 Hz to 130 Hz (+/-3dB)	
100 dB SPL Nominal			97 dB SPL Nominal		103 dB SPL Nominal	
126 dB			125 dB		131 dB	
95 Hz, 120 Hz, 150 Hz			85 Hz / 120 Hz		85Hz / 120 Hz	
60° x 60° 90° x 40° 120° x 40° 120° x 60°						
16Ω			4Ω		2Ω	
200 Watts to 500 Watts			400 Watts to 650 Watts		800 Watts to 1300 Watts	
Product Features						
2 ways passive						
LF: 2 x 4" – Long excursion – Neodymium magnet HF: 1" voice coil ½" throat – Neodymium magnet			1 x 10" Long excursion		2 x 10" Long excursion	
1 x Cable gland with 2 cores cables	2 x NL4, 4 poles connectors (1+/- Through /2+/- ID24)	A la carte	1x Cable gland with 2 cores cable	2x NL4, 4 poles connectors	1x Cable gland with 2 cores cable	2x NL4, 4 poles connectors
6x 6mm threaded inserts	6x points for quick rigging M10 threaded insert	A la carte, among 6x inserts 6mm 6x points for quick rigging M10 threaded insert	4 x M6 inserts M20 flange (T version only)		4 x M6 inserts M20 flange (T version only)	
Water-resistant Polyurethane			Finnish birch plywood		Finnish birch plywood	
White: Structural paint Black: Raw sandblasted polyurethane		A la carte	Black structured paint		Black structured paint	
Stainless steel Acoustic fabric, black or white	Stainless steel Black paint	A la carte				
0°C - 40 °C (32° F - 104° F)			0°C - 40 °C (32° F - 104° F)		0°C - 40 °C (32° F - 104° F)	
-20 °C - 60 °C (-4 ° F - 140° F)			-20 °C - 60 °C (-4 ° F - 140° F)		-20 °C - 60 °C (-4 ° F - 140° F)	
132 x 309 x 23 3mm (5.2" x 12.2" x 9.2")			285 x 525 x 550 mm (11.2" x 20.7" x 21.7")		285 x 1050 x 550 mm (11.2" x 41.3" x 21.7")	
6 Kg (13 lbs)			21kg (47 lbs)		37 kg (82 lbs)	
IP54	IP2X		IP2X		IP2X	
System Operation						
NXAMP4x1mk2 Powered TDcontroller: up to 4 x ID24 per channel		NXAMP4x1mk2 Powered TDcontroller: up to 2 x IDS110 per channel		NXAMP4x1mk2 Powered TDcontroller: up to 2 x IDS210 per channel		
NXAMP4x2mk2 Powered TDcontroller: up to 8 x ID24 per channel		NXAMP4x2mk2 Powered TDcontroller : up to 2 x IDS110 per channel		NXAMP4x2mk2 Powered TDcontroller : up to 1 x IDS210 per channel		
NXAMP4x4 Powered TDcontroller: up to 8 x ID24 per channel		NXAMP4x4 Powered TDcontroller : up to 2 x IDS110 per channel		NXAMP4x4 Powered TDcontroller : up to 1 x IDS210 per channel		
DTD + DTDAMP 4x0.7 : up to 3 x ID24 per channel		DTD + DTDAMP 4x0.7 : 1 x IDS110 per channel		NXAMP4x4 Powered TDcontroller : up to 1 x IDS210 per channel		
DTD + DTDAMP 4x1.3 : up to 4 x ID24 per channel		DTD + DTDAMP 4x1.3 : up to 1 x IDS110 per channel				

ID84 with NEXO Processing								
ID84-I	ID84-T	ID84-TIS	ID84L-I	ID84L-T	ID84L-TIS	IDS312-I	IDS312-T	IDS312-TIS
90 Hz to 20 kHz			90 Hz to 1.5 kHz			40 Hz to 120 Hz		
105 dB SPL Nominal			102 dB SPL Nominal			105 dB SPL Nominal		
135 dB			132 dB			138 dB		
90 Hz, 120 Hz			90 Hz, 120 Hz			40-85 Hz, 40-120 Hz, 40-150 Hz, 63-120 Hz, 63-150 Hz		
Vertical: +0°/-10° (Narrow Mode) or +0°/-25° (Wide mode) Horizontal: 100°			Vertical: Depends on ID84 Main module configuration and assembly Horizontal: 100°					
4 Ω			4 Ω			2 Ω		
650 to 1080 Watts / 4 Ohms			650 to 1080 Watts / 4 Ohms			1300 to 2100 Watts / 2 Ohms		
Product Features								
2 way passive			1 way					
LF: 8 x 4" 8 Ohms long excursion Neodymium driver HF: 8 x 1" 8 Ohms HF driver on a patent-pending arrangement			LF: 8 x 4" 8 Ohms long excursion Neodymium driver			3 x Neodymium 12" 6 Ohms long excursion		
Ruggedized, recessed, waterproof 2 position switch								
Cable gland with 2x core cable	2x NL4 connectors (2+/-) + 1x integrated connector in the base		Cable gland with 2x core cable	2x NL4 connectors (1+/-)		Cable gland with 2x core cable	2x NL4 connectors (1+/- & 2+/-) + Quick connect system for ID84	
2 x pairs of M6 - 70 mm pitch rigging points + 2x extra M6			2 x pairs of M6 - 70 mm pitch rigging points + 2x extra M6			1 x pair of M6 rigging points to link the IDS312 to a base plate		
Aluminum body and Magnelis® covers & grill			Aluminum body and Magnelis® covers & grill			15mm baltic birch plywood		
Black powder coating (RAL9005), White powder coating (RAL9016) or Custom RAL			Black powder coating (RAL9005), White powder coating (RAL9016) or Custom RAL			Black structural paint (RAL9005), White structural paint (RAL9016) or Custom RAL		
UV & Fire resistant acoustic fabric	Magnelis® Front grill	UV & Fire resistant acoustic fabric	UV & Fire resistant acoustic fabric	Magnelis® Front grill	UV & Fire resistant acoustic fabric	UV & Fire resistant acoustic fabric	Magnelis® Front grill	UV & Fire resistant acoustic fabric
0°C - 40 °C (32° F - 104° F)			0°C - 40 °C (32° F - 104° F)			0°C - 40 °C (32° F - 104° F)		
-20 °C - 60 °C (-4 ° F - 140° F)			-20 °C - 60 °C (-4 ° F - 140° F)			-20 °C - 60 °C (-4 ° F - 140° F)		
990mm x 150mm x 215 mm (39.0" x 5.9" x 8.5")			990mm x 150mm x 163 mm (39.0" x 5.9" x 6.4")			1160mm x 380mm x 350mm (45.7" x 15.0" x 13.8")		
15 kg (33 lbs)			14 kg (31 lbs)			31 kg (68 lbs)		
IP54	IP2x		IP54	IP2x		IP2X		
System Operation								
NXAMP4x1mk2 Powered TDcontroller: Up to 2 x ID84 per channel			NXAMP4x1mk2 Powered TDcontroller: Up to 2 x ID84L per channel			NXAMP4x1mk2 Powered TDcontroller: 1 x IDS312 per channel		
DTDcontroller + DTDAMP4x0.7 : 1 x ID84 per channel			DTDcontroller + DTDAMP4x0.7 : 1 x ID84L per channel			NXAMP4x2mk2 Powered TDcontroller: 1 x IDS312 per channel		
DTDcontroller + DTDAMP4x1.3 : 1 x ID84 per channel			DTDcontroller + DTDAMP4x1.3 : 1 x ID84L per channel			NXAMP4x2mk2 Powered TDcontroller: 1 x IDS312 per channel		
NXAMP4x2mk2 Powered TDcontroller: Up to 2 x ID84 per channel			NXAMP4x2mk2 Powered TDcontroller: Up to 2 x ID84L per channel			NXAMP4x4mk2 Powered TDcontroller: 1 x IDS312 per channel		
NXAMP4x4mk2 Powered TDcontroller: Up to 2 x ID84 per channel			NXAMP4x4mk2 Powered TDcontroller: Up to 2 x ID84L per channel					

As part of a policy of continual improvement, NEXO reserves the right to change specifications without notice.

NEXO

Parc d'Activité
du Pré de la Dame Jeanne
B.P.5
60128 Plailly
FRANCE
Tel: +33 (0)3 44 99 00 70
Fax: +33 (0)3 44 99 00 30
E-mail: info@nexo.fr



©2023 NEXO S.A. All Rights Reserved.
All NEXO trademarks and service marks are the property of NEXO S.A., its subsidiaries and affiliated companies