



M28

Line Array Systems

nexo-sa.com

Thinking. Inside the box.

NEXO

A
Yamaha
Group
Company



M28

A Proven Performer

From top events to the bottom line



Compact and powerful, NEXO's M28 has established an enviable track record of success on tours and events around the world, and in prestigious installations on every continent.

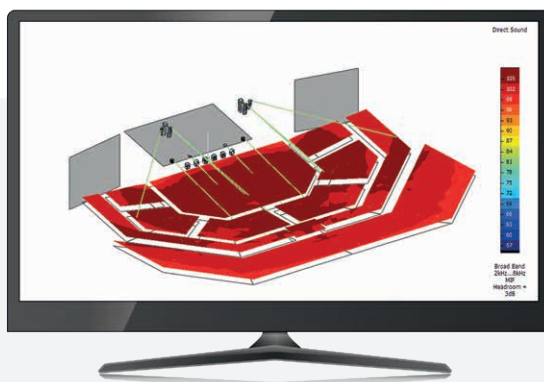
Partnering the lightweight and easy to rig 2 x 8" M28 with NEXO's 1 x 18" MSUB18 creates a versatile and scalable system that delivers thrilling sonic experiences for audiences up to 50 metres in depth (music) and an excellent return on investment for rental companies and venue operators.

'Plug and play' power and processing from NEXO's Universal Amp Rack, intuitive NS-1 'drag and drop' system configuration software and a full complement of flying hardware and transport accessories make it quick and easy to deploy M28 systems at events of any scale, from simple ground stacks for corporate jobs through to flown systems at medium-sized festivals.

And in fixed installations, M28 provides complete and consistent venue coverage, with the clarity required for speech and classical music, and the power necessary for rock bands.

Cluster Weights			
	M28		MSUB18
x 6	286 Kg / 630 lbs	x 2	132 Kg / 293 lbs
x 9	400 Kg / 882 lbs	x 3	187 Kg / 415 lbs
x 12	514 Kg / 1134 lbs	x 4	242 Kg / 537 lbs
x 15	628 Kg / 1385 lbs	x 6	352 Kg / 781 lbs
x 18	742 Kg / 1636 lbs	x 8	462 Kg / 1025 lbs

(without cables)



NS-1

A powerful simulation tool that enables users to configure and optimise the performance of an M28 or any other NEXO system by predicting its behaviour in any venue.

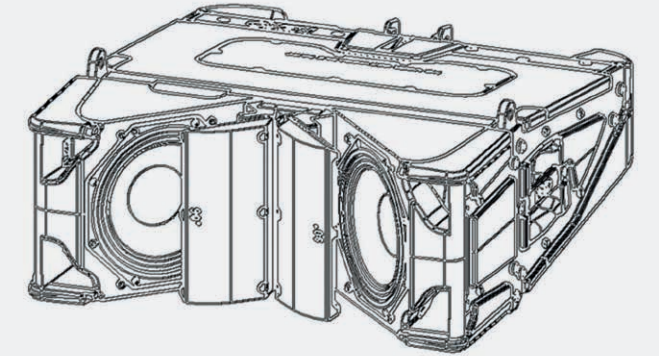


Superior Performance

Through the application of patented technologies

M28 represents an important achievement in line array technology and incorporates a number of significant developments to set new standards of performance.

- Symmetrical Architecture.
- CCD patented technology for variable horizontal dispersion.
- Patented 3D Hyperbolic Reflector for HF summing up to 20kHz without interference.
- Patented vent design, ensuring all radiating surfaces are in phase, improving MF coverage.



An Articulate Low End

With very high output from a compact cabinet

Measuring just 525mm high x 701mm wide x 704mm deep (20.6" x 27.6" x 27.7"), MSUB18 is an ideal companion for the M28 line array element. Using a very high efficiency hybrid band pass sub design, it features a long new excursion 18" Neodymium driver coupled with a new quadratic-shaped low frequency port expansion, limiting the port compression to a very low level. The result is a particularly articulate low end with a very high output level for its size. Easy to deploy in omni mode, the MSUB18 also accommodates cardioid implementation either in stacked or flown configurations. The front and back rigging systems are compatible so the MSUB18 can be implemented 'front to back'. Connectivity is repeated on each side, making it easy to remove cables from audience view.

The Touring version uses a solid front steel grille with a back mesh, 2 x NL4 connectors on two connection plates and a fully retractable rigging system connecting cabinets together. The Installation version keeps the same acoustic design but comes with a front steel grille covered by an acoustic cloth. The rigging system uses safety nuts and connectivity is made through cable gland and captive two core cables, installed back or front. Both versions are available in black, white or custom colours on request.

Compact and Versatile

Easily flown by a small team

Combining 2 x 8" high-excursion Neodymium LF drivers and 2 x 2.5" voice-coil HF compression drivers in an injection-moulded cabinet, the M28 provides 90°/120° of horizontal dispersion and 0° to 15° splaying angle between modules.

The M28 measures 234mm high x 575mm wide x 653mm deep (9.2" x 22.6" x 25.7") and features innovative CompassRig™ and REDLock™ rigging, enabling any size of system to be flown safely by a small team. Compass Rig™ allows pre-setting of inter-cabinet angle values and the REDLock™ handle locks front rigging points from the rear of the cabinet. All adjustments are made from one position at the rear of the cluster.

Peak SPL is 141dB, with a frequency response of 65Hz-19kHz.

An installation version of the M28 is available in standard black and custom RAL colours and features a simplified CompassRig system for reduced weight.



Scalable Systems

For events of any size



30m
Audience Depth
for Music

SYSTEM 1
12 x M28
6 x MSUB18
2 x NUARmk2

40m
Audience Depth
for Speech

40m
Audience Depth
for Music

SYSTEM 2
18 x M28
12 x MSUB18
3 x NUARmk2

50m
Audience Depth
for Speech

50m
Audience Depth
for Music

SYSTEM 3
24 x M28
12 x MSUB18
3 x NUARmk2

60m
Audience Depth
for Speech

Pictured, 16 x M28, 12 x MSUB18, 2 x NUARmk2



NXAMP_{MK2}

The perfect compact, light-weight power and processing solution for NEXO systems

Available in 4 x 1300 Watts, 4 x 2500 Watts and 4 x 4500 Watts versions, the NXAMP_{MK2} combines advanced signal processing with four state-of-the-art Class D amplifiers to create a flexible, light-weight powering and control solution for NEXO loudspeaker systems.

Ideal for use in fixed installations and touring, these powered controllers are easy to set up and quick to deploy, with all essential parameters readily

accessible via a large colour touch-screen on the front panel and a comprehensive range of control and networking facilities on the rear panel.

Most importantly, the new NXAMP_{MK2} achieves a whole new level of sound quality, partnering with NEXO speakers to deliver a whole new level of audience experience.

- Class D**
 - P|F|C**
 - Ether Sound**
 - Dante™**
 - NeMo**
 - AES/EBU***
 -  4.3" display
 -  Tactile screen
 -  **x2** Dual Ethernet Port
- * Optional



NeMo

Available free for macOS, iOS or Windows, the NeMo Remote Monitoring app provides remote control over a NXAMP network from anywhere in the venue.

Network Cards



NEXO Universal Amp Rack

For larger systems and line arrays, the NEXO Universal Amp Rack (NUAR) provides NEXO users with a scalable, 'plug & play', amplified audio distribution solution of unrivalled power and flexibility. Systems of any size can be configured easily using channel by channel preset selection of any NEXO cabinet and digital output patching.



Flying Hardware



STT-XBOW
Crossbow



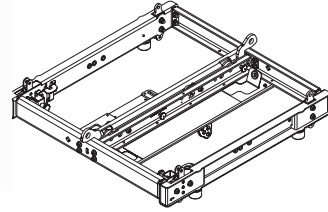
STT-VBUMP
Tilt beam 1 rigging point.
12 x M28 maximum.



STT-BTBUMPER
Bottom Bumper



VXT-LEVA750
Chain Lever Hoist
750Kg

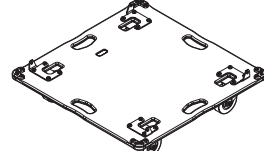


VNT-BUMPM12
Bumper for MSUB18

Transport Accessories



STT-DOLLYM28
Lightweight M28 Dolly



MST-DOLLYMSUB18
Dolly for 2 X MSUB18



MST-COV2MSUB18
Cover for 2 X MSUB18



STT-DCOVER283
Cover 3 x M28 on Dolly M28

M28 Installation Hardware



M28I Compass
CompassRig



M28I-BNFIK
Cabinet Linking Kit

Specifications

	M28	M28i
NEXO PROCESSING		
Frequency Response	65Hz – 19kHz ±3dB	
Usable Range @-6dB	60Hz – 20kHz	
Sensitivity 1W@1m	106dB SPL Nominal (120° horizontal coverage) 107dB SPL Nominal (90° horizontal coverage)	
Peak SPL@1m	140dB Peak (120° horizontal coverage) 141dB Peak (90° horizontal coverage)	
Dispersion	Configurable 90°-120° Horizontal x 0-15° vertical	
Available Crossover Frequencies	900Hz (Active)	
Nominal Impedance	LF: 8 Ω (6 Ω min) - HF: 8 Ω (6 Ω min)	
Amplified Controller	NXAMP4x4 - 3xSTM M28 in parallel on 2 NXAMP4x4 channels - 2x4000W/2Ω	
PRODUCT FEATURES		
Component	LF: 2 x 8" (20cm) high excursion 16 Ω Neodymium drivers HF: 2 x 2.5" voice coil, 1.4" throat Neodymium 16 Ω drivers, Ketone Polymer diaphragm	
Height x Width x Depth	234 x 575 x 653 mm – 9.2" x 22.6" x 25.7"	
Weight: Net	37 kg – 82 lbs	TBC
Connectors	2 x NLT4-MDV Speakon 4 poles	TBC
Construction	PU Composite Low Density – Polyurethane water based black coating	
Fittings	2 x side handles / 1 x rear handle	
Front Finish	Perforated Dark Grey Metal Grille	
Rigging	Integral 3 points flying system. Intercabinet angle adjustments from 0.2° to 15° in logarithmic steps.	
SYSTEM OPERATION		
Electronic Controller	The NEXO NXAMP4x4 presets are precisely matched to the STM Series cabinets and include sophisticated protection algorithms. Using STM Series cabinets without a properly connected NEXO NXAMP4x4 will result in poor sound quality and can damage components.	
Speaker Cabling	1-/1+: LF - 2-/2+: MF/HF	

	MSUB18	MSUB18i
NEXO PROCESSING		
Frequency Response @-6 dB	32 Hz to 120 Hz	
Sensitivity 1W@1m	107 dB SPL Nominal	
Peak SPL@1m	139 dB	
Available Crossover Frequencies	32-65, 32-75, 32-85, 32-95, 32-120 Hz	
Nominal Impedance	4 Ω	
Recommended Power	2000 Watts	
PRODUCT FEATURES		
Component	1 x 18" 4 Ohms very long excursion Neodymium driver	
Height x Width x Depth	525mm x 701mm x 704mm (20.6" x 27.6" x 27.7")	
Weight: Net	55 kg / 122 lbs	
Connectors	4 x NL4, 4 poles connectors (1+/1- MSUB18 / 2+/2- Through)	2 x Cable gland with 2 cores cables
Construction	Baltic Birch Plywood & textured black or white coating	
Fittings	8 x side handles	
Front Finish	Steel front grill + back mesh	Acoustic fabric fitted from grill
Operating Temperature Range	0°C - 40 °C	
Storage Temperature Range	-20 °C - 60 °C	
SYSTEM OPERATION		
Recommended Powering Solution	NXAMP4x4 Powered TDcontroller: 2 x MSUB18 per channel	
Options Powering Solution	NXAMP4x1mk2 Powered TDcontroller (Bridged): 1 x MSUB18 per channel NXAMP4x2mk2 Powered TDcontroller: 1 x MSUB18 per channel	

NEXO recommends a minimum of 2 people to lift cabinets weighing 25Kg/55lbs or more. Users should follow local health and safety rules when deploying NEXO systems.



M28

NEXO

Parc d'Activité
du Pré de la Dame Jeanne
B.P.5
60128 Plailly
FRANCE
Tel: +33 (0)3 44 99 00 70
Fax: +33 (0)3 44 99 00 30
E-mail: info@nexo.fr

