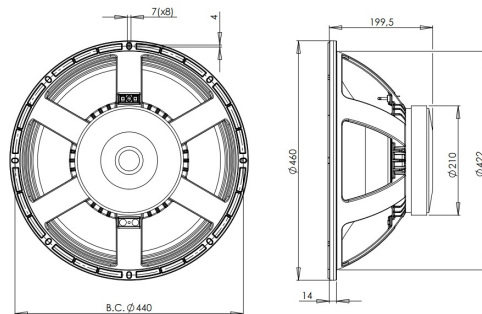


18RBX100

LF Drivers - 18.0 Inches

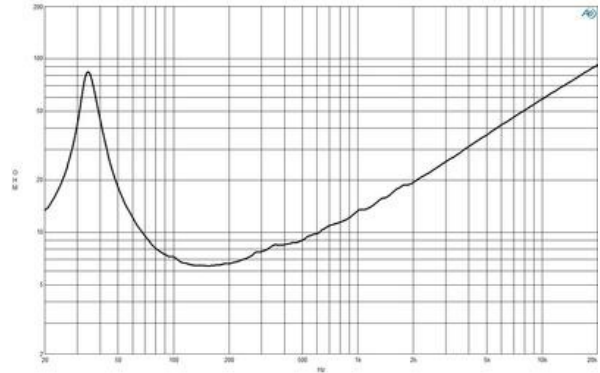
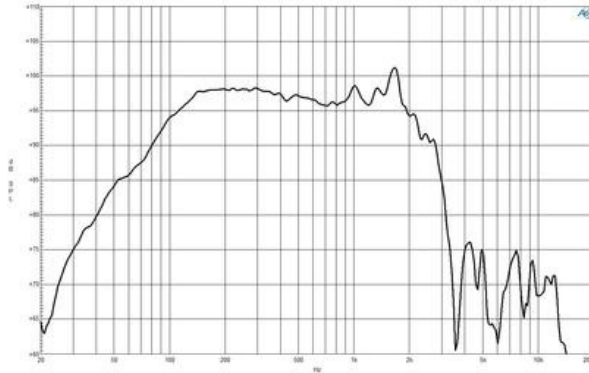


- Product Preview - Coming Soon....
- 2000 W continuous program power capacity
- 100 mm (4 in) copper voice coil
- 35 - 1000 Hz response
- 97 dB sensitivity
- Aluminium demodulating ring allows a very low distortion figure
- Double silicone spider with optimized compliance



18RBX100

LF Drivers- 18.0 Inches



SPECIFICATIONS

Nominal diameter	460 mm (18.0 in)
Nominal impedance	8 Ω
Minimum impedance	6.2 Ω
Nominal power handling ¹	1000 W
Continuous power handling ²	2000 W
Sensitivity (1W/1m) ³	97.0 dB
Frequency range	35 - 1000 Hz
Voice coil diameter	100 mm (4.0 in)
Winding material	Copper
Former material	Glass Fibre
Winding depth	25 mm (1.0 in)
Magnetic gap depth	11 mm (0.43 in)
Flux density	1.1 T

DESIGN

Surround shape	Triple Roll
Cone shape	Curvilinear
Magnet material	Ferrite
Spider	Double Silicone
Pole design	T-Pole
Woofers cone treatment	TWP Waterproof Both Sides
Recommended enclosure	140.0 dm ³ (4.94 ft ³)
Recommended tuning	40 Hz

PARAMETERS

Fs	35 Hz
Re	5.1 Ω
Qes	0.36
Qms	7.3
Qts	0.34
Vas	220.0 dm ³ (7.77 ft ³)
Sd	1225.0 cm ² (189.88 in ²)
η _o	2.2 %
Xmax	10.0 mm
Xvar	13.0 mm
Mms	199 g
Bl	25.1 Txm
Le	1.5 mH
EBP	97 Hz

MOUNTING AND SHIPPING INFO

Overall diameter	460 mm (18.11 in)
Bolt circle diameter	440 mm (17.32 in)
Baffle cutout diameter	422.0 mm (16.61 in)
Depth	200 mm (7.87 in)
Flange and gasket thickness	14 mm (0.55 in)
Air volume occupied by driver	10.5 dm ³ (0.37 ft ³)
Net weight	12.3 kg (27.12 lb)
Shipping units	1
Shipping weight	13.7 kg (30.2 lb)
Shipping box	500x500x250 mm (19.69x19.69x9.84 in)

SERVICE KIT

RCK18RBX1008

1. 2 hours test made with continuous pink noise signal (6 dB crest factor) within the range Fs-10Fs. Power calculated on rated minimum impedance. Loudspeaker in free air.
2. Power on Continuous Program is defined as 3 dB greater than the Nominal rating.
3. Applied RMS Voltage is set to 2.83 V for 8 ohms Nominal Impedance.