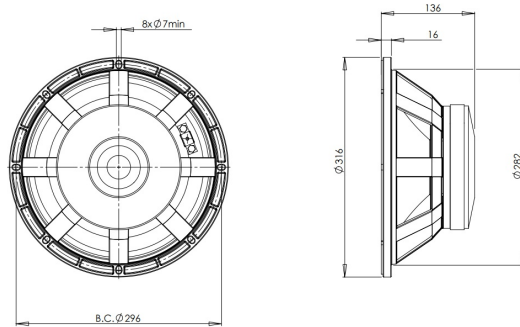


# 12PLB76

LF Drivers - 12.0 Inches

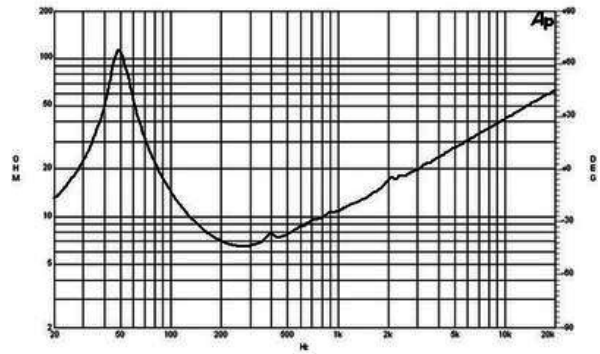
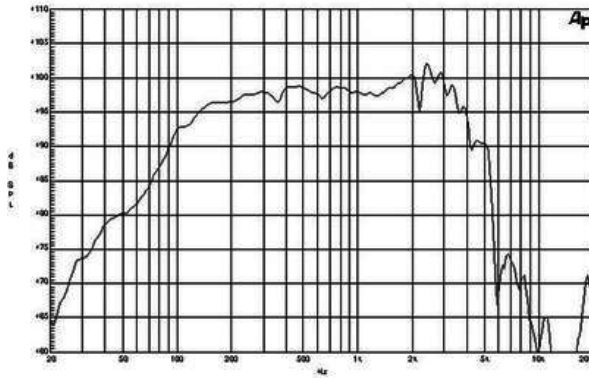


- 700 W continuous program power capacity
- 76 mm (3 in) aluminium voice coil
- 50 - 2000 Hz response
- 98.5 dB sensitivity



# 12PLB76

LF Drivers- 12.0 Inches



## SPECIFICATIONS

Nominal diameter	320 mm (12.0 in)
Nominal impedance	8 Ω
Minimum impedance	6.4 Ω
Nominal power handling <sup>1</sup>	350 W
Continuous power handling <sup>2</sup>	700 W
Sensitivity (1W/1m) <sup>3</sup>	99.0 dB
Frequency range	50 - 2000 Hz
Voice coil diameter	76 mm (3.0 in)
Winding material	Aluminium
Former material	Glass Fibre
Winding depth	16 mm (0.62 in)
Magnetic gap depth	11 mm (0.4 in)
Flux density	1.05 T

## DESIGN

Surround shape	Double Roll
Cone shape	Exponential
Magnet material	Ferrite
Spider	Single
Pole design	T-Pole
Woofer cone treatment	WP Waterproof Front Side (upon request)
Recommended enclosure	42.0 dm <sup>3</sup> (1.48 ft <sup>3</sup> )
Recommended tuning	65 Hz

## PARAMETERS

F <sub>s</sub>	50 Hz
R <sub>e</sub>	5.0 Ω
Q <sub>es</sub>	0.24
Q <sub>ms</sub>	5.3
Q <sub>ts</sub>	0.23
V <sub>as</sub>	75.0 dm <sup>3</sup> (2.6 ft <sup>3</sup> )
S <sub>d</sub>	522.0 cm <sup>2</sup> (80.9 in <sup>2</sup> )
η <sub>o</sub>	3.8 %
X <sub>max</sub>	5.0 mm
X <sub>var</sub>	7.0 mm
M <sub>ms</sub>	51 g
Bl	18.6 Txm
Le	1.2 mH
EBP	208 Hz

## MOUNTING AND SHIPPING INFO

Overall diameter	316 mm (12.4 in)
Bolt circle diameter	296 mm (11.6 in)
Baffle cutout diameter	282.0 mm (11.1 in)
Depth	136 mm (5.35 in)
Flange and gasket thickness	16 mm (0.62 in)
Air volume occupied by driver <sup>3</sup>	3.3 dm <sup>3</sup> (0.12 ft <sup>3</sup> )
Net weight	7.4 kg (16.4 lb)
Shipping weight	8.2 kg (18.0 lb)
Shipping box	340x340x170 mm (13.4x13.4x6.7 in)

## SERVICE KIT

RCK12PLB768

1. 2 hours test made with continuous pink noise signal (6 dB crest factor) within the range F<sub>s</sub>-10F<sub>s</sub>. Power calculated on rated minimum impedance. Loudspeaker in free air.
2. Power on Continuous Program is defined as 3 dB greater than the Nominal rating.
3. Applied RMS Voltage is set to 2.83 V for 8 ohms Nominal Impedance.

**B&C Speakers s.p.a.**

Via Poggiomoro, 1 - Loc. Vallina, 50012 Bagno a Ripoli (FI) - ITALY - Tel. +39 055 65721 - Fax +39 055 6572312 - mail@bcspeakers.com