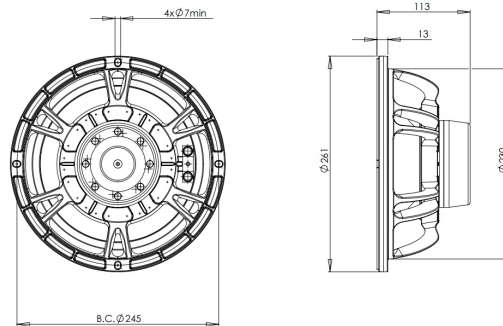


10NDL64

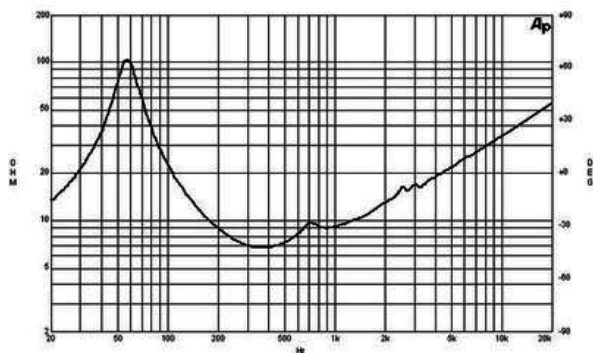
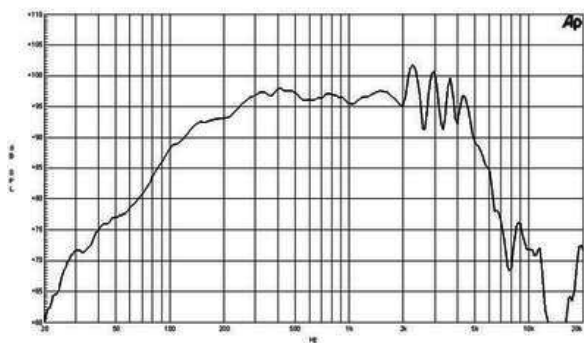
LF Drivers - 10.0 Inches



- 500 W continuous program power capacity
- 64 mm (2.5 in) aluminium voice coil
- 50 - 3000 Hz response
- 97 dB sensitivity
- Neodymium magnet allows a very light yet powerful motor assembly
- Ventilated voice coil gap for reduced power compression

10NDL64

LF Drivers- 10.0 Inches



SPECIFICATIONS

| | |
|--|------------------|
| Nominal diameter | 250 mm (10.0 in) |
| Nominal impedance | 8 Ω |
| Minimum impedance | 7.0 Ω |
| Nominal power handling ¹ | 250 W |
| Continuous power handling ² | 500 W |
| Sensitivity (1W/1m) ³ | 97.0 dB |
| Frequency range | 50 - 3000 Hz |
| Voice coil diameter | 64 mm (2.5 in) |
| Winding material | Aluminium |
| Former material | Glass Fibre |
| Winding depth | 14 mm (0.55 in) |
| Magnetic gap depth | 8 mm (0.31 in) |
| Flux density | 1.25 T |

DESIGN

| | |
|-----------------------|--|
| Surround shape | Double Roll |
| Cone shape | Exponential |
| Magnet material | Neodymium Inside Slug |
| Spider | Single |
| Pole design | Straight Pole |
| Woofer cone treatment | TWP Waterproof Both Sides |
| Recommended enclosure | 26.0 dm ³ (0.92 ft ³) |
| Recommended tuning | 62 Hz |

PARAMETERS

| | |
|------------------|---|
| F _s | 56 Hz |
| R _e | 5.7 Ω |
| Q _{es} | 0.29 |
| Q _{ms} | 3.4 |
| Q _{ts} | 0.26 |
| V _{as} | 31.0 dm ³ (1.1 ft ³) |
| S _d | 320.0 cm ² (50.0 in ²) |
| η _o | 1.8 % |
| X _{max} | 6.0 mm |
| X _{var} | 7.0 mm |
| M _{ms} | 37 g |
| Bl | 16.2 Txm |
| Le | 0.9 mH |
| EBP | 193 Hz |

MOUNTING AND SHIPPING INFO

| | |
|-------------------------------|---|
| Overall diameter | 261 mm (10.3 in) |
| Bolt circle diameter | 245 mm (9.6 in) |
| Baffle cutout diameter | 230.0 mm (8.8 in) |
| Depth | 113 mm (4.4 in) |
| Flange and gasket thickness | 13 mm (0.5 in) |
| Air volume occupied by driver | 1.5 dm ³ (0.05 ft ³) |
| Net weight | 2.9 kg (6.4 lb) |
| Shipping weight | 3.5 kg (7.7 lb) |
| Shipping box | 330x330x160 mm (13x13x6.3 in) |

SERVICE KIT

RCK10NDL648

1. 2 hours test made with continuous pink noise signal (6 dB crest factor) within the range F_s-10F_s. Power calculated on rated minimum impedance. Loudspeaker in free air.
2. Power on Continuous Program is defined as 3 dB greater than the Nominal rating.
3. Applied RMS Voltage is set to 2.83 V for 8 ohms Nominal Impedance.

B&C Speakers s.p.a.

Via Poggiomoro, 1 - Loc. Vallina, 50012 Bagno a Ripoli (FI) - ITALY - Tel. +39 055 65721 - Fax +39 055 6572312 - mail@bcspeakers.com