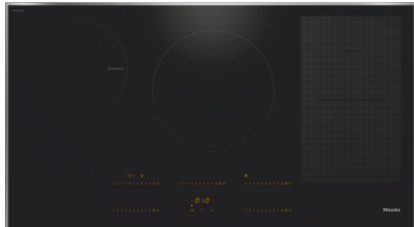


KM 7699 FR

Induction hob with onset controls
with TempControl for perfect frying results



- Intuitive quick selection via number sequences – Smart Select
- 5 cooking zones incl. 1 PowerFlex area and 1 TempControl zone
- A width of 942mm with stainless steel frame for surface installation
- Shortest heating-up times - TwinBooster
- Communication with the hood - automatic function Con@ctivity

EAN: 4002516338796 / material number: 11515550

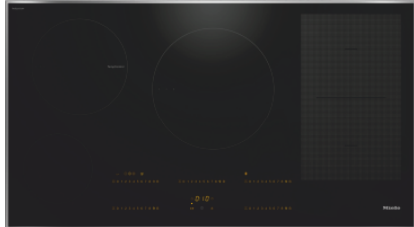
Heating type	
Heating type	Induction
Construction type	
Independent of cooker	•
Design	
Elegant glass ceramic surface	•
Ceramic surface colour	Black
Stainless-steel frame	•
Surface-mounted installation	•
Cooking zone details	
Number of cooking zones	5
Number of cooking areas	1
Maximum number of pans	5
PowerFlex cooking zone	
No.	2
Size in mm	Ø 150 – 230
Max. rating in W	2100
Max. Booster power rating in W	3000
Max. TwinBooster power rating in W	3650
Cooking zone	
Position	front left
Type	Dual-circuit ring
Size in mm	Ø 100-160
Max. rating in W	1400
Max. Booster power rating in W	1700
Max. TwinBooster power rating in W	2200
Position	rear left
Type	TempControl cooking zone
Size in mm	Ø 160-230
Max. rating in W	2300
Max. Booster power rating in W	3000
Max. TwinBooster power rating in W	3650
Position	rear centre
Type	Dual-circuit ring
Size in mm	180-280
Max. rating in W	2600
Max. Booster power rating in W	3000
Max. TwinBooster power rating in W	3650
Position	right
Type	PowerFlex bridge
Size in mm	230x390
Max. rating in W	3400
Max. Booster power rating in W	4800
Max. TwinBooster power rating in W	7300

more information:
<http://www.miele.co.uk/domestic>

For further information please see next page...

KM 7699 FR

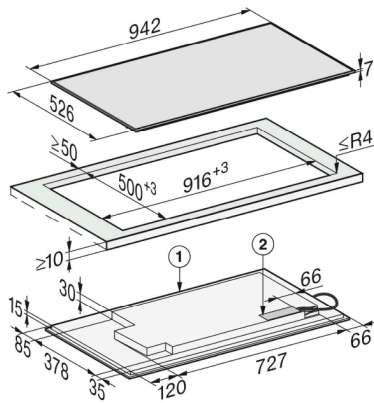
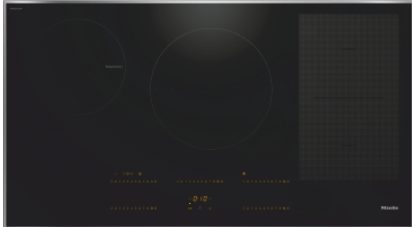
Induction hob with onset controls
with TempControl for perfect frying results



User convenience	
Networking with Miele@home	•
Automatic function Con@ctivity 3.0	•
Operation via sensor controls	Smart Select
TempControl	•
Display colour	Yellow
Permanent pan recognition	•
Pan and pan size recognition	•
Stop & Go function	•
Recall function	•
Minute minder	•
Safety switch-off	•
Auto heat-up	•
Keeping warm	•
Keeping warm plus	•
Individual setting options (e.g. buzzers)	•
Wipe protection	•
Efficiency and sustainability	
Power rating in off mode in W	0.5
Power rating in standby mode in W	1.0
Power rating in networked standby in W	2.0
Time until automatic switch to off mode in min	20
Time until automatic switch to standby in min	20
Time until automatic switch to networked standby in min	20
Cleaning convenience	
Easy to clean ceramic glass	•
Safety	
Safety switch-off	•
Lock function	•
System lock	•
Integrated cooling fan	•
Overheating protection	•
Residual heat indicator	•
Technical data	
Dimensions in mm (width)	942
Dimensions in mm (height)	52
Casing height incl. connection box in mm	45
Dimensions in mm (depth)	526
Cutout dimensions in mm (width) with surface-mounted installation	916
Cutout dimensions in mm (depth) with surface-mounted installation	500
Weight in kg	16
Total rated load in kW	11.0
Voltage in V	230
Connection cable length in m	1.4
Standard accessories	
Mains cable	•

KM 7699 FR

Induction hob with onset controls
with TempControl for perfect frying results



KM 7699 FR (installation drawing)

- 1) Front
- 2) Mains connection box with mains connection cable, L = 1440 mm, are enclosed loosely