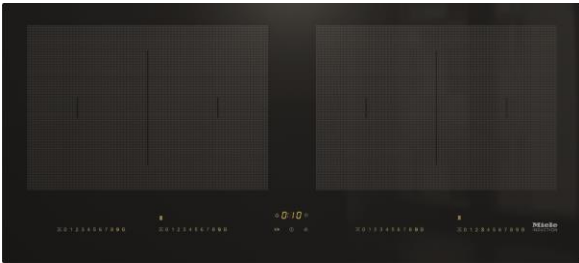


## Induction hob – KM 7684 FL



- Design**
- 916 mm width, black glass ceramic surface
  - Flush or surface-mounted installation
- Cooking Zone**
- 4 Induction cooking zones
  - All zones with TwinBooster
  - 2 combined PowerFlex zones for up to 7.3 kW output
- Controls**
- SmartSelect touch sensor control
  - 9 power settings, extendable to 17
- Features**
- Auto heat-up, keeping warm
  - Minute minder and automatic switch-off
  - Stop&Go, Wipe protection
  - Permanent pan recognition
  - WiFiConn@ct and Con@ctivity 3.0 enabled



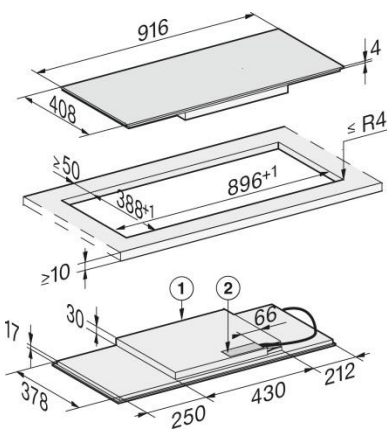
\* Picture for reference only

<b>Output</b>	① / ② / ③ / ④	Ø 150-230 mm:	2.1 kW
		with Twinbooster	3.0/3.65 kW
	①+② / ③+④	Ø 220-230 mm/ 150x230-230x380mm:	3.4 kW
		with Twinbooster	4.8/7.3 kW

- Safety**
- Safety lock / system lock / Residual heat indicator
  - Safety switch off
  - Overheating protection
  - Integrated cooling fan

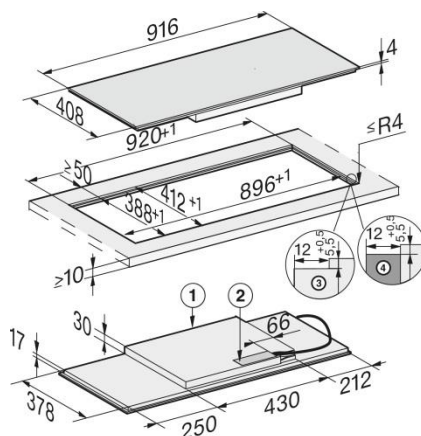
### Cut-out Dimensions (Surface-mounted)

Width: 896 mm  
Depth: 388 mm



### Cut-out Dimensions (Flush)

Width: 896/ 920 mm  
Depth: 388/ 412 mm



1. Front
2. Mains connections box
3. Stepped cut-out (only suitable in a natural stone worktop)
4. Wooden support frame 12mm is required for a solid wood, tiled or glass worktop (must be provided on-site, not supplied)

If there is interim shelf, 10mm gap at the back is needed for the cabling. A ventilation gap at the front of 20mm is also recommended.

### Installation requirements

- Voltage 220-240 V, Rated load 7.3 kW
- Fuse rating 32 A
- Length of cable 1440 mm, without plug

### Appliance dimensions

Width: 916 mm  
Depth: 408 mm  
Height: 51 mm

### Minimum safety distance

Space behind / left / right to a wall / a tall unit: 50 mm  
Space from oven / interim shelf: 15 mm  
Space from the base of a drawer: 75 mm  
\*Space from hob to hood: 450 mm

\* depends also on cooker hood