

KM 7210 FR

Induction hob with onset controls  
with cooking/extended zone at an attractive entry-level price



- Easy operation – EasySelect
- 4 round cooking zones and one cooking/extended zone
- A width of 764mm with stainless steel frame for surface installation
- Shortest heating-up times - TwinBooster

EAN: 4002516149224 / material number: 11144000

<b>Heating type</b>	
Heating type	Induction
<b>Construction type</b>	
Independent of cooker	•
<b>Design</b>	
Elegant glass ceramic surface	•
Ceramic surface colour	Black
Stainless-steel frame	•
Surface-mounted installation	•
<b>Cooking zone details</b>	
Number of cooking zones	4
Maximum number of pans	4
<b>Cooking zone</b>	
Position	front left
Type	Dual-circuit ring
Size in mm	Ø 160-220
Max. rating in W	2300
Max. Booster power rating in W	3000
Max. TwinBooster power rating in W	3650
Position	rear left
Type	Dual-circuit ring
Size in mm	Ø 100-160
Max. rating in W	1400
Max. Booster power rating in W	1700
Max. TwinBooster power rating in W	2200
Position	rear right
Type	Casserole area
Size in mm	190/290
Max. rating in W	2100
Max. Booster power rating in W	3000
Max. TwinBooster power rating in W	3650
Position	front right
Type	Dual-circuit ring
Size in mm	Ø 140-190
Max. rating in W	1850
Max. Booster power rating in W	2500
Max. TwinBooster power rating in W	3000
<b>User convenience</b>	
Display colour	Yellow
Permanent pan recognition	•
Pan and pan size recognition	•
Stop & Go function	•
Recall function	•
Minute minder	•
Safety switch-off	•
Auto heat-up	•
Keeping warm	•
Individual setting options (e.g. buzzers)	•
<b>Cleaning convenience</b>	
Easy to clean ceramic glass	•

more information:  
<http://www.miele.co.uk/domestic>

For further information please see next page...

KM 7210 FR

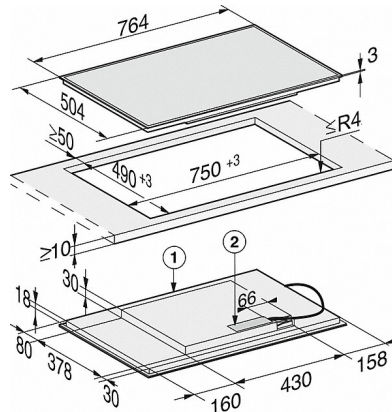
Induction hob with onset controls  
with cooking/extended zone at an attractive entry-level price



<b>Safety</b>	
Safety switch-off	•
Lock function	•
System lock	•
Integrated cooling fan	•
Overheating protection	•
Residual heat indicator	•
<b>Technical data</b>	
Dimensions in mm (width)	764
Dimensions in mm (height)	51
Casing height incl. connection box in mm	48
Dimensions in mm (depth)	504
Cutout dimensions in mm (width) with surface-mounted installation	750
Cutout dimensions in mm (depth) with surface-mounted installation	490
Weight in kg	11
Total rated load in kW	7.3
Voltage in V	230
Connection cable length in m	1.4
<b>Standard accessories</b>	
Mains cable	•

## KM 7210 FR

Induction hob with onset controls  
with cooking/extended zone at an attractive entry-level price



KM 7210 FR, KM 7211 FR (Installation drawing)

- 1) Front
- 2) Mains connection box. Mains connection cable L = 1440 mm, supplied loose