

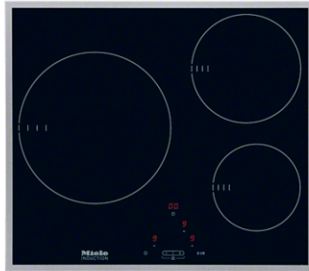
Induction Cooktops



KM 6113

Induction cooktop with onset controls

With 3 cooking zones for maximum convenience at an attractive entry level price.



- Simple operation – EasyControl Plus including timer
- Attractive design – 574mm wide with all-round frame
- Versatile – 3 cooking zones, 1 extra large with diameter of 28 cm
- Shortest heating-up times – TwinBooster
- Food always cooked to perfection – keeping warm function

Price \$ 1,999.00

** GST inclusive

Heating type	
Heating type	Induction
Construction type	
Independent of cooker	•
Design	
Elegant glass ceramic surface	•
Print design	Decor basalt grey
Stainless-steel frame	•
Cooking zone details	
Number of cooking zones	3
Cooking zone	
Position	left centre
Type	Dual-circuit ring
Diameter in mm	Ø 180-280
Rating in W	2600
Booster in W	3000
TwinBooster in W	3700
Position	rear right
Type	Dual-circuit ring
Diameter in mm	Ø 140-200
Rating in W	1850
Booster in W	3000
Position	front right
Type	Dual-circuit ring
Diameter in mm	100-160 mm
Rating in W	1400
Booster in W	2200
User convenience	
Operation via sensor controls	EasyControl II
Pan and pan size recognition	•
Minute minder	•
Safety switch-off	•
Auto heat-up	•
Keeping warm	•
Displays	
Digital power level display	•
Cleaning convenience	
Easy to clean ceramic glass	•
Safety	
Safety switch-off	•
Lock function	•
System lock	•
Integrated cooling fan	•
Overheating protection	•

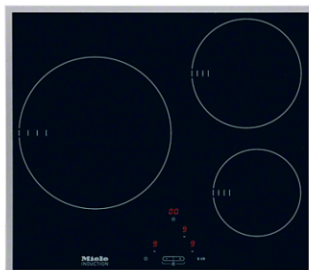
Induction Cooktops



KM 6113

Induction cooktop with onset controls

With 3 cooking zones for maximum convenience at an attractive entry level price.



Technical data	
Dimensions in mm (width)	574
Dimensions in mm (depth)	504
Casing height incl. connection box in mm	48
Cutout dimensions in mm (width) with surface-mounted installation	560
Cutout dimensions in mm (depth) with surface-mounted installation	490
Voltage in V	230
Total rated load in kW	7.4
Weight in kg	9
Length of supply lead in m	1.4
Standard accessories	
Mains cable	•

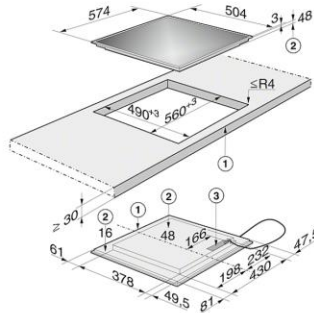
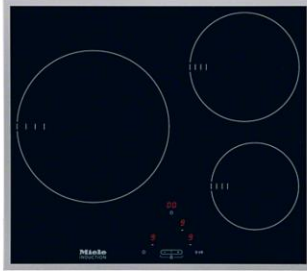
Induction Cooktops



KM 6113

Induction cooktop with onset controls

With 3 cooking zones for maximum convenience at an attractive entry level price.



KM 6113 (installation drawing) VG AUS

1. Front
2. Building-in depth
3. Mains connection box, mains connection cable, L = 1440 mm supplied loose