

KM 2312

Gas cooktop
with a mono wok burner for special applications.

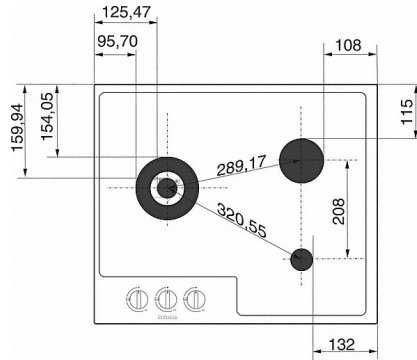


- Simple controls – single-handed operation via rotary dial control
- Professional design – 600mm wide stainless steel trough
- Particularly versatile – 3 burners incl. 1 mono wok
- Extremely safe – GasStop function
- Particularly high-quality – enamelled cast-iron pot rests

Heating type	
Heating type	Gas
Construction type	
Independent of cooker	•
Design	
Stainless steel trough	•
Cast iron pot rests (matt black enamelled)	•
Cooking zone details	
Number of cooking zones	3
Cooking zone	
Position	left centre
Type	Single wok burner
Diameter in mm	Ø 150-260
Rating in W	4000
Position	rear right
Type	High-speed burner
Diameter in mm	Ø 120-240
Rating in W	2700
Position	front right
Type	Economy burner
Diameter in mm	100-220
Rating in W	1000
User convenience	
Operation via sensor controls	Knob
Operation via knobs	•
Electronic ignition with single-hand operation	•
Cleaning convenience	
Dishwasher-proof pot rests	•
Safety	
GasStop	•
Technical data	
Dimensions in mm (width)	600
Dimensions in mm (depth)	508
Cutout dimensions in mm (width) with surface-mounted installation	560
Cutout dimensions in mm (depth) with surface-mounted installation	490
Voltage in V	230
Total rated load in kW	7.5
Weight in kg	13
Length of supply lead in m	2.0
Standard accessories	
Mains cable	•
Jets for liquid gas	•
Wok ring	•
Small trivet	•

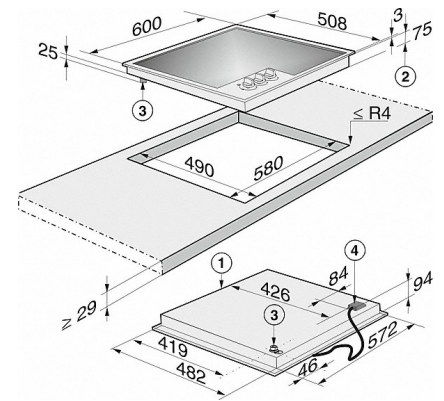
KM 2312

Gas cooktop
with a mono wok burner for special applications.



KM 2312 (installation drawings)

1. Front
2. Building-in depth
3. Gas connection R 1/2 - ISO 7-1 (DIN EN 10226)
4. Mains connection box with mains connection cable L 2000 mm



KM 2312 (installation drawings) AUS

1. Front
2. Building-in depth
3. Gas connection R 1/2 - ISO 7-1 (DIN EN 10226)
4. Mains connection box with mains connection cable L 2000 mm