

H 7890 BP

90 cm wide oven
seamless design with food probe and BrilliantLight.



- Large touch display with movement sensor – M Touch + MotionReact
- Keep an eye on what's cooking anywhere at any time – FoodView
- Minimal cleaning effort – Pyrolytic cleaning equipment & PyroFit
- Especially light dough and nicely browned crusts – Moisture plus
- Fast heating and even heat distribution – TwinPower

A

EAN: 4002516219255 / material number: 11093840

Model and design	
Built-in oven	•
PureLine	•
Appliance colour	Stainless steel/Clean Steel
Convenience features	
Rapid heat-up	•
Food probe	Without cable
Keeping warm	•
Crisp function	•
Rotisserie motor	•
Operating modes	
Defrosting	•
Country-specific automatic programmes	•
Auto roast	•
Grill	•
Economy grill	•
Fan plus	•
Intensive bake	•
Moisture plus	•
Moisture plus with Fan plus	•
Moisture plus with Conventional heat	•
Moisture plus with Intensive Bake	•
Moisture plus with Auto Roast	•
Low temperature cooking	•
Conventional heat	•
Top heat	•
Bottom heat	•
Fan grill	•
Special applications	•

H 7890 BP

90 cm wide oven
seamless design with food probe and BrilliantLight.



User convenience	
Networking with Miele@home	•
Display	M Touch
MotionReact: light comes on when movement is detected	•
MotionReact: display comes on when movement is detected	•
MotionReact: audible signal is acknowledged when movement is detected	•
MotionReact: detection of cabinet fronts	•
Camera inside oven compartment	•
SoftClose	•
MultiLingua	•
MyMiele	•
Help function	•
3D control panel	•
Programmable timed steam injection	•
Polyphonic buzzers	•
Time of day display	•
Date display	•
Minute minder	•
Programmable start of cooking duration	•
Programmable end of cooking duration	•
Actual temperature display	•
Target temperature display	•
Audible signal when target temperature is reached	•
Recommended temperature	•
User programmes	20
Sabbath programme	•
Individual settings	•
Efficiency and sustainability	
Energy efficiency class (A+++ - D)	A
Residual heat utilisation	•
Power rating in off mode in W	0.5
Power rating in standby mode in W	1.0
Power rating in networked standby in W	2.0
Time until automatic switch to standby in min	20
Time until automatic switch to networked standby in min	20
Time until automatic switch to off mode in min	20
Cleaning convenience	
Stainless steel front with CleanSteel finish	•
Pyrolytic self-cleaning	•
Catalyser	Heated
Hinged grill heater element	•
CleanGlass door	•
Safety	
Appliance cooling system and touch-cool fronts	•
Safety switch-off	•
System lock	•
Door lock during pyrolytic cleaning	•
Sensor lock	•

H 7890 BP

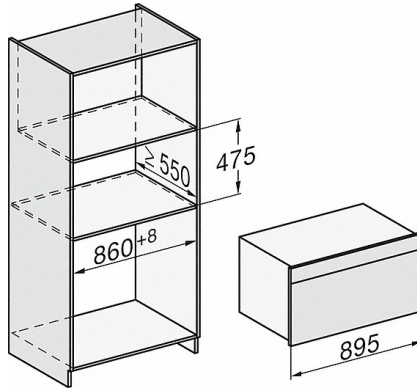
90 cm wide oven
seamless design with food probe and BrilliantLight.



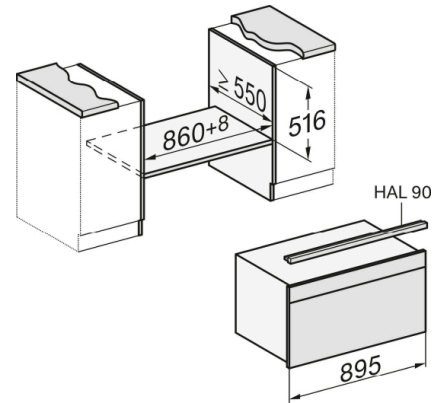
Technical data	
Oven compartment volume in l	90
No. of shelf levels	3
Numbered shelf levels	•
Oven light	BrilliantLight
TwinPower hot air fan	•
Appliance width in mm	895
Appliance height in mm	481
Appliance depth in mm	568
Weight in kg	74.0
Total rated load in kW	5.6
Voltage in V	220-240
Number of phases	1
Fuse rating in A	25
Length of supply lead in m	2
Standard accessories	
Universal tray with PerfectClean	2
Baking and roasting rack PyroFit	2
PyroFit FlexiClip runners (pair)	1
Removable PyroFit side runners (pair)	1

H 7890 BP

90 cm wide oven
seamless design with food probe and BrilliantLight.

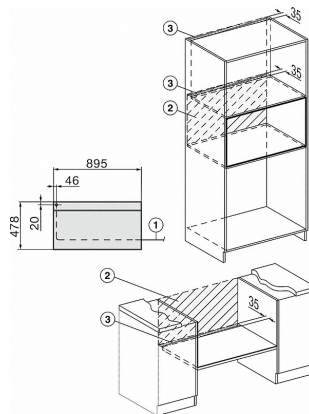


H2890B, H7890BP, installation drawings



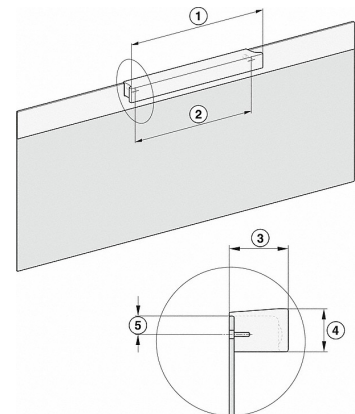
H2890B, H7890BP, installation drawings

If the oven is to be installed under a hob, follow the instructions for installing the hob and the height of the hob.



H2890B, H7890BP, installation drawings

- 1) Mains connection cable, L=2000 mm
- 2) No connection in this area
- 3) Lüftungsausschnitt min. 150 cm²

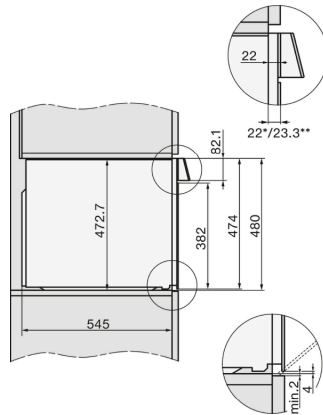


H7890BP, installation drawings

- 1) 350 mm
- 2) 300 mm
- 3) 48 mm
- 4) 35 mm
- 5) 16.5 mm

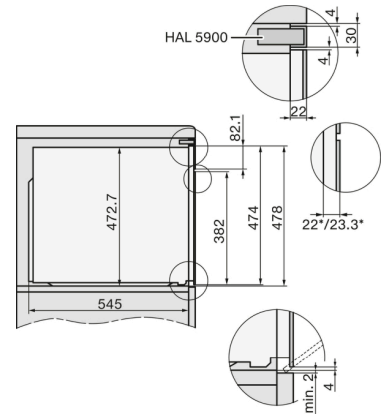
H 7890 BP

90 cm wide oven
seamless design with food probe and BrilliantLight.



H7890BP, installation drawings, GB, AUS

22 mm - glass
23,3 mm - metal



H7890BP, installation drawings, GB, AUS

22 mm - glass
23,3 mm - metal