

ESW 7010

14 cm high gourmet warming drawer without handle  
for preheating crockery, keeping food warm and low temperature cooking.



- The ultimate in enjoyment – low temperature cooking
- Always at the right temperature – 4 functions
- Convenient and easy – Touch control
- Opening the drawer couldn't be easier – Push2open
- Better safe than sorry – timer function with automatic switch-off

EAN: 4002516169895 / material number: 11093260

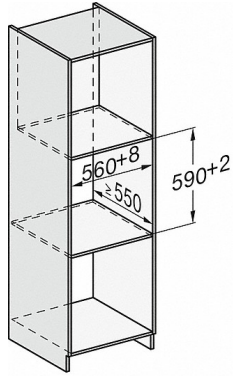
<b>Model and design</b>	
Gourmet warming drawer	•
PureLine	•
VitroLine	•
ArtLine	•
Handleless	•
Colour	Obsidian black
<b>Convenience features</b>	
Pre-heating crockery	•
Keeping food warm	•
Perfect cooking results at low temperature	•
<b>Operating modes</b>	
Cup warming	•
Plate warming	•
Keeping food warm	•
Low temperature cooking	•
<b>User convenience</b>	
Networking with Miele@home	•
Capacity	6 place settings
Push2open mechanism	•
Fully telescopic runners for easy loading and unloading	•
Control panel with sensor controls	•
Control panel with symbols	•
Stop programming/Timer function	•
Sabbath programme	•
<b>Efficiency and sustainability</b>	
Power rating in off mode in W	0.5
Power rating in standby mode in W	1.0
Power rating in networked standby in W	2.0
Time until automatic switch to off mode in min	20
Time until automatic switch to standby in min	20
Time until automatic switch to networked standby in min	20
<b>Cleaning convenience</b>	
Flush control panel	•
<b>Safety</b>	
Cool front	•
Anti-slip mat	•
Safety switch-off	•
<b>Technical data</b>	
Appliance width in mm	595
Appliance height in mm	141
Appliance depth in mm	570
Useable interior height in mm	80
Total rated load in kW	1
Voltage in V	230
Frequency in Hz	50-60
Fuse rating in A	10
Number of phases	1
Length of supply lead in m	2.0

more information:  
<http://www.miele.co.uk/domestic>

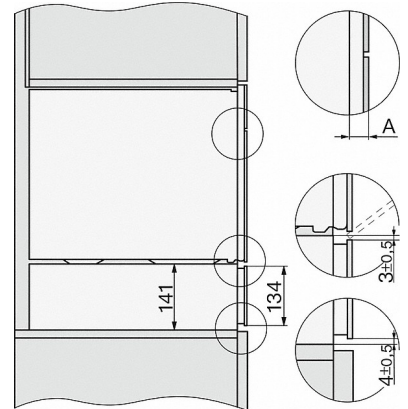
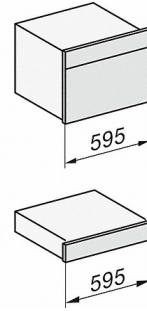
For further information please see next page...

## ESW 7010

14 cm high gourmet warming drawer without handle  
for preheating crockery, keeping food warm and low temperature cooking.

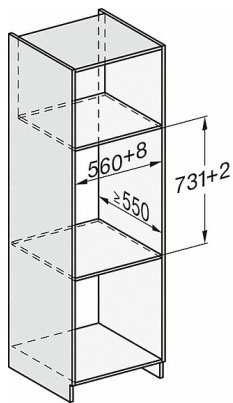


ESW7x10, installation drawings

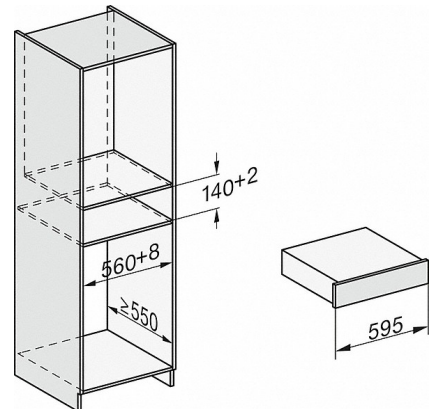
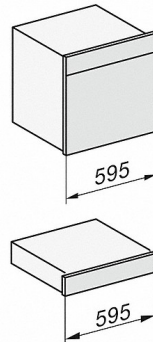


ESW7x10, EVS7010, DG7x4x, DGM7x4x installation drawings

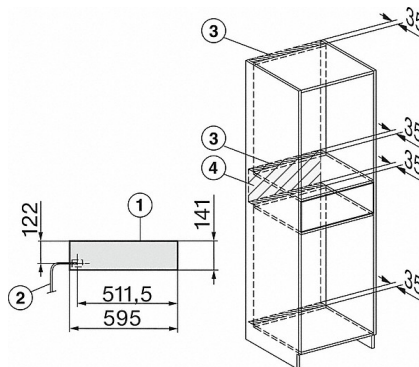
A) 22 mm glass, 23,3 mm stainless steel



ESW7x10, EVS 7010 installation drawings



ESW7x10, installation drawings



ESW7x10, installation drawings

- 1) Front view
- 2) Mains connection cable, L=2.000 mm
- 3) Ventilation cut min. 180 cm<sup>2</sup>
- 4) No connection in this area