

DGM 7440

Steam oven with microwave
for healthy cooking and rapid heating-up with networking.



- Large clear text display with sensor controls – DirectSensor
- Perfect results – DualSteam technology
- Consistent and quick microwave results – Quick & Gentle
- Perfect results guaranteed every time – Automatic programmes
- Shorter cooking durations by combining steam with microwave power

EAN: 4002516166481 / material number: 11094480

Model and design	
Steam oven with microwave	•
PureLine	•
Appliance colour	Stainless steel/Clean Steel
Convenience features	
External steam generation	•
Menu cooking without transfer of taste	•
Automatic programmes with programmable settings for cooking results	•
Keeping warm	•
Operating modes	
Defrosting	•
Steam cooking	•
Sous-vide	•
Reheat	•
Microwave	•
Special applications	•
User convenience	
Display	DirectSensor
MultiLingua	•
Popcorn function	•
Quantity-independent cooking	•
Steam cooking on up to 3 levels at the same time	•
Steam reduction before end of programme	•
Time of day display	•
Date display	•
Minute minder	•
Actual temperature display	•
Recommended temperature	•
Quick microwave	•
User programmes	20
Individual settings	•
Efficiency and sustainability	
Power rating in off mode in W	0.5
Cleaning convenience	
Stainless steel front with CleanSteel finish	•
External steam generator	•
Floor heater for condensate reduction	•
Soak programme	•
Quick-release side racks	•
Automatic descaling	•
CleanGlass door	•
Steam technology and water supply	
DualSteam	•
Fresh water container volume in l	1.5
Removal of fresh water container with Push2release mechanism	•

more information:
<http://www.miele.co.uk/domestic>

For further information please see next page...

DGM 7440

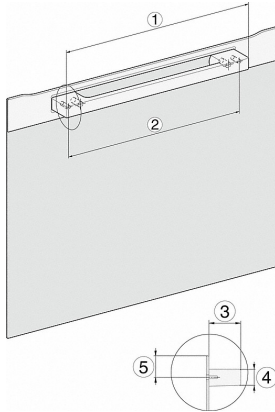
Steam oven with microwave
for healthy cooking and rapid heating-up with networking.



Safety	
Appliance cooling system and touch-cool fronts	•
Safety switch-off	•
System lock	•
Vapour cooling system	•
Technical data	
Oven compartment volume in l	40
No. of shelf levels	4
Door hinge	Bottom
Microwave power levels in W	80/150/300/450/600/850/1000
Niche depth in mm	550
Appliance width in mm	595
Appliance height in mm	455
Weight in kg	30.7
Total rated load in kW	3.3
Voltage in V	230
Number of phases	1
Fuse rating in A	16
Standard accessories	
Perforated stainless steel cooking container	2

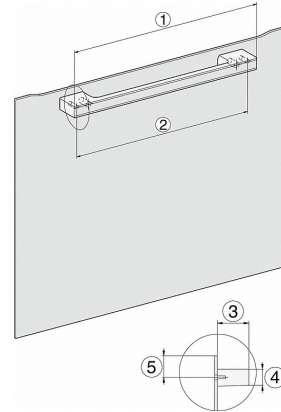
DGM 7440

Steam oven with microwave
for healthy cooking and rapid heating-up with networking.



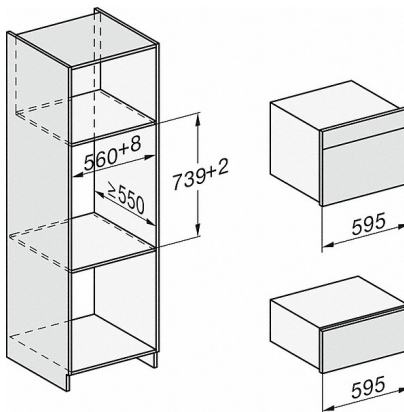
DG2840, DG7x40, DGC7x4x, DG7x6x, DGC7x6x, DGD7635, DGM7x4x, DO7, H28B/BP, H7x4xB/BM/BP, H7x6xB/BP, installation drawing

- 1) 400 mm
- 2) 360 mm
- 3) 47 mm
- 4) 24 mm
- 5) 32.5 mm

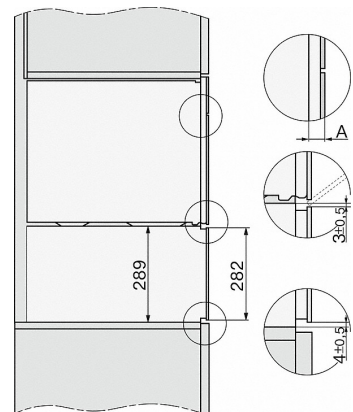


DG7x40, DGC7x4x, DGC7x6x, DG7635, DGM7x4x, DO7, H2860B/BP, H7240BM, H7x40BM, H7x4xB/BP, H7x6xB/BP, installation drawings

- 1) 400 mm
- 2) 360 mm
- 3) 47 mm
- 4) 27 mm
- 5) 32.5 mm



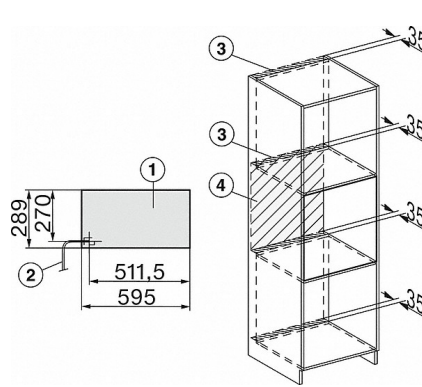
ESW7x20, installation drawings



ESW7x20, DG7xxx, DGM7xxx installation drawings

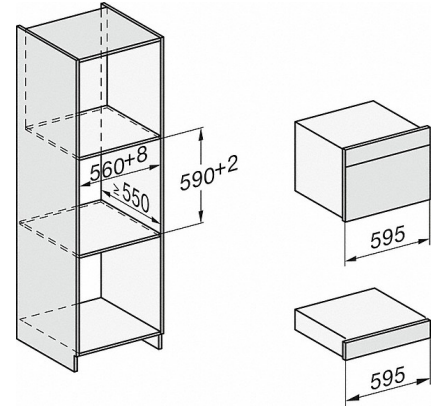
DGM 7440

Steam oven with microwave
for healthy cooking and rapid heating-up with networking.

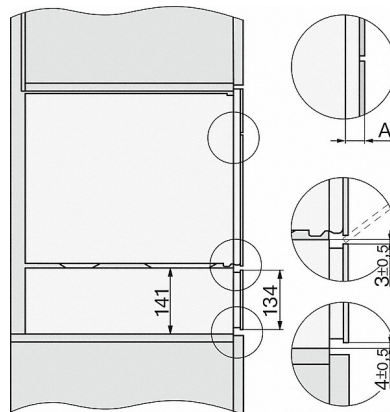


ESW7x20, DGM7x4x installation drawings

- 1) Front view
- 2) Mains connection cable, L=2.000 mm
- 3) Ventilation cut min. 180 cm²
- 4) No connection in this area

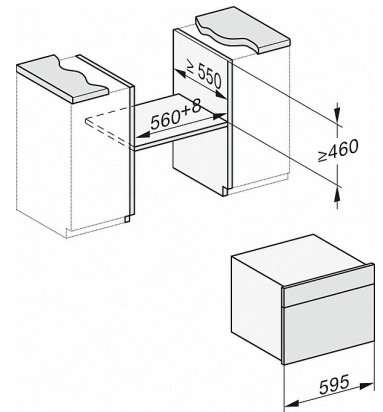


ESW7x10, installation drawings

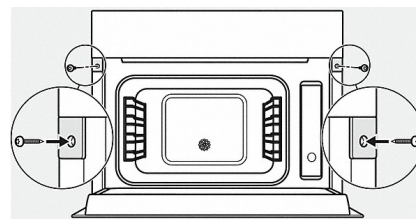


ESW7x10, EVS7010, DG7x4x, DGM7x4x installation drawings

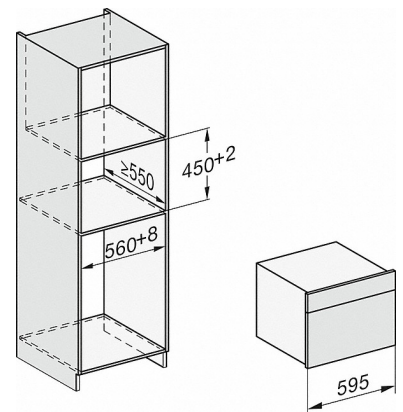
A) 22 mm glass, 23,3 mm stainless steel



DG7x4x, DGM7x4x, DGC7x4x, DGC7x4x installation drawings



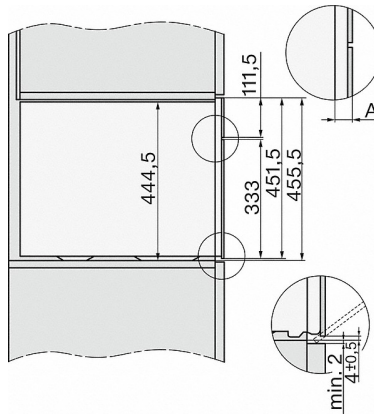
DG7xxx, DGM7xxx, installation drawings



DG7x4x, DGM7x4x, installation drawings

DGM 7440

Steam oven with microwave
for healthy cooking and rapid heating-up with networking.



DG7x4x, DGM7x4x, DG7x4x-55, DGM7x4x-55, installation drawings

A 22 mm glass
23,3 mm metal