

CSDA 7001 FL

SmartLine element  
as downdraft extractor for extraction or recirculation operation



- Intuitive quick selection via number sequences – Smart Select
- Elegant design – for flush or raised installation
- Seamlessly integrates with any SmartLine element
- Efficient filtration- 10-ply stainless-steel grease filter
- Energy-efficient and quiet - powerful ECO motor

EAN: 4002516304906 / material number: 11402230

|   |              |
|---|--------------|
| <b>Construction type</b>  |              |
| Downdraft extractor   | •            |
| <b>Design</b>   |              |
| Flush installation  | •            |
| Frameless – surface-mounted   | •            |
| <b>Operating modes</b>  |              |
| Type of air guide   | Convertible  |
| <b>User convenience</b>   |              |
| Operation via sensor controls   | Smart Select |
| Digital power level display   | •            |
| Display colour  | Yellow       |
| Run-on time 5 min.  | •            |
| <b>Efficiency and sustainability</b>                                      |              |
| ECO motor   | •            |
| <b>Cleaning convenience</b>   |              |
| Easy to clean ceramic glass   | •            |
| CleanCover  | •            |
| <b>Filter system</b>  |              |
| Number of dishwasher safe stainless steel grease filters                  | 1            |
| <b>Air throughput with max. duct diameter in extraction mode</b>          |              |
| Air throughput in Level 2 (m <sup>3</sup> /h) according to EN 61591       | 290          |
| Sound power in Level 2 (dB(A) re 1 pW) according to EN 60704-3            | 58           |
| Sound pressure in Level 1 (dB(A) re 20 µPa) according to EN 60704-2-13    | 29           |
| Sound pressure in Level 2 (dB(A) re 20 µPa) according to EN 60704-2-13    | 43           |
| Sound pressure in Level 3 (dB(A) re 20 µPa) according to EN 60704-2-13    | 51           |
| Sound power in Booster level (dB(A) re 20 µPa) acc. to EN 60704-2-13      | 55           |
| <b>Air throughput in recirculation mode</b>                               |              |
| Air throughput in Level 1 (m <sup>3</sup> /h) according to EN 61591       | 100          |
| Air throughput in Level 2 (m <sup>3</sup> /h) according to EN 61591       | 235          |
| Air throughput in Level 3 (m <sup>3</sup> /h) according to EN 61591       | 380          |
| Air throughput in Booster level (m <sup>3</sup> /h) according to EN 61591 | 460          |
| Sound power in Level 1 (dB(A) re 1 pW) according to EN 60704-3            | 49           |
| Sound power in Level 2 (dB(A) re 1 pW) according to EN 60704-3            | 63           |
| Sound power in Level 3 (dB(A) re 1 pW) according to EN 60704-3            | 73           |
| Sound power in Booster level (dB(A) re 1 pW) acc. to EN 60704-3           | 78           |
| Sound pressure in Level 1 (dB(A) re 20 µPa) according to EN 60704-2-13    | 34           |
| Sound pressure in Level 2 (dB(A) re 20 µPa) according to EN 60704-2-13    | 49           |
| Sound pressure in Level 3 (dB(A) re 20 µPa) according to EN 60704-2-13    | 58           |
| Sound power in Booster level (dB(A) re 20 µPa) acc. to EN 60704-2-13      | 63           |
| <b>Safety</b>   |              |
| Safety switch-off   | •            |
| FlameGuard  | •            |

more information:  
<http://www.miele.co.uk/domestic>

For further information please see next page...

CSDA 7001 FL

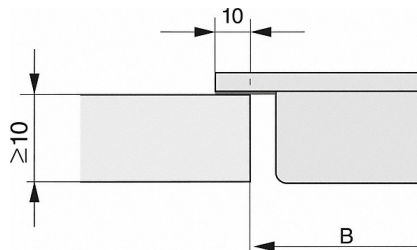
SmartLine element  
as downdraft extractor for extraction or recirculation operation



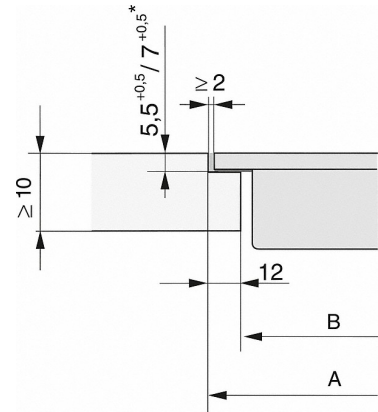
| Technical data set  |     |
|---|-----|
| Dimensions in mm (width)  | 120 |
| Dimensions in mm (height)   | 168 |
| Dimensions in mm (depth)  | 520 |
| Casing height incl. connection box in mm                          | 168 |
| Cut-out dimensions in mm (width) for onset installation           | 100 |
| Cut-out dimensions in mm (depth) for onset installation           | 500 |
| Inner cut-out dimensions in mm (width) for flush-fit installation | 100 |
| Inner cut-out dimensions in mm (depth) for flush-fit installation | 500 |
| Outer cut-out dimensions in mm (width) for flush-fit installation | 124 |
| Outer cut-out dimensions in mm (depth) for flush-fit installation | 524 |
| Weight in kg  | 11  |
| Total rated load in kW  | 0.2 |
| Voltage in V  | 230 |
| Fuse rating in A  | 10  |
| Connection cable length in m                                      | 2   |
| Installation notes  |     |
| Plinth fan with vent connection                                   | •   |
| Extraction connection at side and rear                            | •   |
| Dimensions of the exhaust ducting connector in mm (width)         | 222 |
| Dimensions of the exhaust ducting connector in mm (depth)         | 89  |
| Standard accessories  |     |
| Mains cable with plug   | •   |
| Ducting system to the plinth fan                                  | •   |

CSDA 7001 FL

SmartLine element  
as downdraft extractor for extraction or recirculation operation

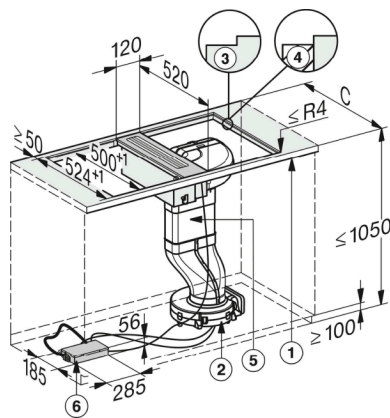


CS 7000 FL (Installation drawing)



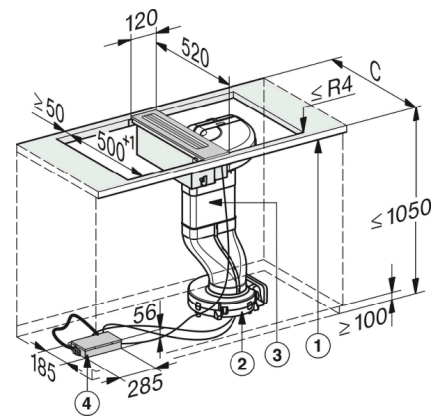
CS 7000 FL, flush (Installation drawing)

\*7+0,5 = CS7611 (Wok)



CSDA 7001 - flush (Installation drawing)

- 1) front
- 2) Fan (in the plinth lying on the floor)
- 3) Stepped cut-out
- 4) 12 mm wooden panel (not supplied as standard)
- 5) Air duct
- 6) E-box

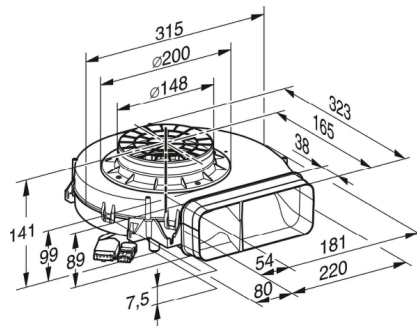


CSDA 7001 - supported installation (Skizze)

- 1) front
- 2) Fan (in the plinth lying on the floor)
- 3) Air duct
- 4) E-Box

CSDA 7001 FL

SmartLine element  
as downdraft extractor for extraction or recirculation operation



Plinth blower for CSDA 7001 (Installation drawing)