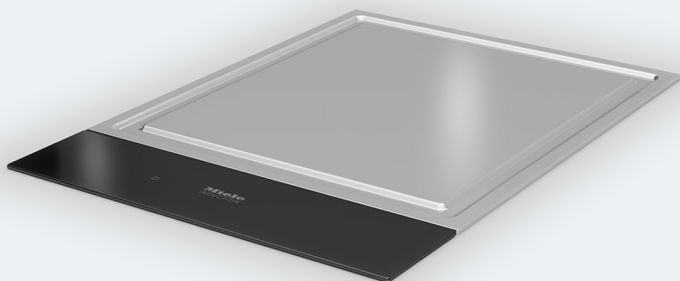


Operating and installation instructions SmartLine Tepan Yaki



To avoid the risk of accidents or damage to the appliance it is **essential** to read these instructions before it is installed and used for the first time.

Contents

Warning and Safety instructions	4
Caring for the environment	14
Guide to the appliance	15
Tepan Yaki	15
Controls and display	16
How it works	18
Before using for the first time	19
Cleaning the SmartLine element for the first time	19
Switching on the SmartLine element for the first time	19
Operation	20
Using the appliance	20
Setting the power level	21
Switching off	21
Residual heat indicator	21
Setting the power level – extended setting range	22
Switching the heating elements on together	22
Tips on cooking	23
Keeping warm	23
Setting ranges	24
Timer	25
Minute minder	25
Auto switch off	26
Using both timer functions at the same time	27
Additional functions	28
Stop & Go	28
Recall	28
Wipe protection	29
Demonstration mode	29
Displaying the SmartLine element data	29
Safety features	30
System lock/safety lock	30
Safety switch-off	31
Overheating protection	32
Programming	33

Cleaning and care	36
Cleaning the control panel	37
Cleaning the cooking surface.....	37
Problem solving guide	38
Messages in the display	38
Unexpected behaviour	40
General problems or technical faults.....	41
Optional accessories	42
After sales service	43
Contact in the event of a fault	43
Data plate	43
Warranty	43
Installation	44
Safety instructions for installation	44
Safety distances.....	45
Installation notes – surface-mounted	49
Worktop cutout – surface-mounted	51
Spacer bars – surface-mounted.....	54
Installation dimensions – Surface-mounted	55
Installation – surface-mounted	56
Installation notes – flush-fit	58
Worktop cutout – flush-fit.....	60
Spacer bars – flush-fit	63
Installation dimensions – Flush-fit	64
Installation – flush-fit	65
Electrical connection	67

Warning and Safety instructions

This Tepan Yaki conforms to current safety requirements. Inappropriate use can, however, lead to personal injury and material damage.

Please read these operating and installation instructions carefully before using the Tepan Yaki for the first time. They contain important information on safety, installation, use and maintenance. This prevents both personal injury and damage to the Tepan Yaki.

In accordance with standard IEC 60335-1, Miele expressly and strongly advises that you read and follow the instructions in the chapter on installing the Tepan Yaki as well as the safety instructions and warnings.

Miele cannot be held liable for injury or damage caused by non-compliance with these instructions.

Keep these instructions in a safe place and pass them on to any future owner.

Correct application

- ▶ This Tepan Yaki is designed for domestic use and for use in similar environments.
- ▶ This Tepan Yaki is not intended for outdoor use.
- ▶ This Tepan Yaki is intended for domestic use only to cook food and keep it warm. All other types of use are not permitted.
- ▶ This Tepan Yaki can only be used by people with reduced physical, sensory or mental capabilities or lack of experience and knowledge if they are supervised whilst using it. They may only use it unsupervised if they have been shown how to use it in a safe way. They must be able to recognise and understand the dangers of misuse.

Warning and Safety instructions

Safety with children

- ▶ Children under 8 years of age must be kept away from the Tepan Yaki unless they are constantly supervised.
- ▶ Children aged 8 and older may only use the Tepan Yaki without supervision if they have been shown how to use it in a safe manner. Children must be able to understand and recognise the possible dangers caused by incorrect operation.
- ▶ Children must not be allowed to clean the Tepan Yaki unsupervised.
- ▶ Children should be supervised in the vicinity of the Tepan Yaki. Never allow children to play with the Tepan Yaki.
- ▶ The Tepan Yaki gets hot when in use and remains hot for quite a while after being switched off. Keep children well away from the Tepan Yaki until it has cooled down and there is no danger of burning.
- ▶ **Danger of burning!**
Do not store anything which might arouse a child's interest in storage areas above or behind the Tepan Yaki. Otherwise they could be tempted into climbing onto the Tepan Yaki.
- ▶ **Danger of suffocation!** Whilst playing, children may become entangled in packaging material (such as plastic wrapping) or pull it over their head with the risk of suffocation. Keep packaging material away from children.
- ▶ Activate the system lock to ensure that children cannot switch the Tepan Yaki on by mistake. Use the safety lock when the Tepan Yaki is in use to prevent children from altering the settings selected.

Technical safety

- ▶ Unauthorised installation, maintenance and repairs can cause considerable danger for the user. Installation, maintenance and repairs must only be carried out by a Miele authorised technician.
- ▶ Damage to the Tepan Yaki can compromise your safety. Check it for visible signs of damage. Do not use a damaged Tepan Yaki.
- ▶ Temporary or permanent operation on an autonomous power supply system or a power supply system that is not synchronised with the mains power supply (e.g. island networks, back-up systems) is possible. A prerequisite for operation is that the power supply system complies with the specifications of EN 50160 or an equivalent standard.

The function and operation of the protective measures provided in the domestic electrical installation and in this Miele product must also be maintained in isolated operation or in operation that is not synchronised with the mains power supply, or these measures must be replaced by equivalent measures in the installation. As described, for example, in the current version of BS OHSAS 18001–2 ISO 45001.

- ▶ The electrical safety of the Tepan Yaki can only be guaranteed when correctly earthed. It is most important that this basic safety requirement is present. If in doubt, the electrical installation should be checked by a qualified electrician.
- ▶ Before connecting the Tepan Yaki to the mains supply, ensure that the connection data on the data plate (voltage and frequency) match the mains electricity supply. This data must correspond in order to avoid the risk of damage to the appliance. Compare this data before connecting the appliance. If in any doubt, consult a qualified electrician.
- ▶ Multi-socket adapters and extension leads do not guarantee the required safety of the appliance (fire hazard). Do not use these to connect the Tepan Yaki to the mains electricity supply.

Warning and Safety instructions

- ▶ For safety reasons, this Tepan Yaki may only be used after it has been built in.
- ▶ This Tepan Yaki must not be installed and operated in mobile installations (e.g. on a ship).
- ▶ Any contact with live connections or tampering with the electrical or mechanical components of the Tepan Yaki will endanger your safety and may lead to appliance malfunctions.
Do not open the Tepan Yaki housing under any circumstances.
- ▶ While the Tepan Yaki is under warranty, repairs should only be undertaken by a Miele authorised service technician. Otherwise the warranty is invalidated.
- ▶ Miele can only guarantee the safety of the appliance when genuine original Miele replacement parts are used. Faulty components must only be replaced by Miele spare parts.
- ▶ The Tepan Yaki is not intended for use with an external timer switch or a remote control system.
- ▶ If the plug is removed from the connection cable or if the cable is supplied without a plug, the Tepan Yaki must be connected to the electrical supply by a suitably qualified electrician.
- ▶ If the mains connection cable is damaged, it must be replaced with a special connection cable by an electrician (see “Electrical connection”).

Warning and Safety instructions

▶ During installation, maintenance and repair work, the Tepan Yaki must be completely disconnected from the mains electricity supply. It is only completely isolated from the electricity supply when:

- the mains fuse is disconnected,
- the screw-out fuse is removed (in countries where this is applicable),
- the plug (if present) is removed from the socket. To do this, pull the plug and not the mains connection cable.

▶ Danger of electric shock.

Do not use the Tepan Yaki if it is damaged or if it suffers damage during use. Switch it off immediately. Disconnect the Tepan Yaki from the electrical supply. Contact Miele Service.

▶ If the Tepan Yaki is built in behind a furniture front (e.g. a door), do not close the furniture door while the Tepan Yaki is in use. Heat and moisture can build up behind the closed furniture door. This can result in damage to the Tepan Yaki, the housing unit and the floor. Do not close the furniture door until the residual heat indicators have gone out.

Warning and Safety instructions

Correct use

- ▶ The Tepan Yaki gets hot when in use and remains hot for quite a while after being switched off. There is a danger of burning until the residual heat indicators go out.
- ▶ Due to the high temperatures radiated, objects left near the Tepan Yaki when it is switched on could start to burn.
Do not use the Tepan Yaki to heat up the room.
- ▶ Oils and fats can ignite if allowed to overheat. Never leave the Tepan Yaki unattended when cooking with oil or fats. Never attempt to put out oil or fat fires with water. Switch the Tepan Yaki off.
Extinguish the flames carefully with a lid or fire blanket.
- ▶ Do not leave the SmartLine element unattended whilst it is being used. It should be continually monitored whilst boiling and flash frying.
- ▶ Flames could set the grease filters of a cooker hood on fire. Do not flambé under a cooker hood.
- ▶ Spray canisters, aerosols and other inflammable substances can ignite when heated. Therefore do not store such items or substances in a drawer under the Tepan Yaki. Cutlery inserts must be heat-resistant.
- ▶ Heating up food in closed containers e.g. tins or sealed jars results in an increase in pressure which can cause them to explode. Do not use the Tepan Yaki for bottling food or for heating up food in tins.
- ▶ If the Tepan Yaki is covered, there is a risk of the material catching fire, shattering or melting if the appliance is switched on by mistake or if residual heat is still present. Do not cover the Tepan Yaki, e.g. with a cover, a cloth or protective foil.

Warning and Safety instructions

- ▶ When the Tepan Yaki is switched on either deliberately or by mistake, or when there is residual heat present, there is the risk of any metal items left on the Tepan Yaki heating up. Other materials can melt or catch fire. Do not use the Tepan Yaki as a resting place for anything. Always disconnect the Tepan Yaki from the power supply when you have finished using it.
- ▶ You could burn yourself on the hot Tepan Yaki. Protect your hands with heat-resistant pot holders or gloves when using the Tepan Yaki. Do not let them get wet or damp. Heat transfers through damp and wet material more quickly with the risk of scalding or burning yourself.
- ▶ When using an electrical appliance, e.g. a hand-held food blender, near the Tepan Yaki, ensure that the cable of the electrical appliance cannot come into contact with the hot Tepan Yaki. This could damage the cable insulation.
- ▶ Placing hot pans on the sensors and indicators could damage the electronics underneath. Do not place hot pans on the sensors or indicators.
- ▶ Because induction heating works extremely quickly, the temperature could reach the flash point of oils and fats within a very short time. Do not leave the Tepan Yaki unattended whilst it is being used.
- ▶ For people fitted with a heart pacemaker: please note that the area immediately surrounding the Tepan Yaki is electromagnetically charged when it is switched on. It is very unlikely to affect a pacemaker. However, if in any doubt, consult the manufacturer of the pacemaker or your doctor.
- ▶ When switched on, the electromagnetic field of the Tepan Yaki can impair the function of magnetisable objects. Do not leave credit cards, digital storage devices, pocket calculators, etc. in the immediate vicinity of the Tepan Yaki.

Warning and Safety instructions

- ▶ Metal objects stored in a drawer under the Tepan Yaki can become hot if the appliance is used intensively for a long time. Do not store any metal objects in a drawer directly under the Tepan Yaki.
- ▶ The Tepan Yaki is fitted with a cooling fan. If a drawer is fitted directly underneath the built-in Tepan Yaki, ensure that there is sufficient space between the drawer and its contents and the underside of the Tepan Yaki in order to ensure sufficient ventilation for the Tepan Yaki. Do not store pointed or small items or paper in the drawer. They could get in through the ventilation slots or be sucked into the casing by the fan and damage the fan or impair cooling.
- ▶ The Tepan Yaki gets very hot. Do not use plastic utensils. Even heat-resistant plastic utensils are unsuitable.

Cleaning and care

- ▶ The steam from a steam cleaning appliance could reach live electrical components and cause a short circuit.
Do not use a steam cleaner to clean the Tepan Yaki.
- ▶ If the Tepan Yaki is built-in above a pyrolytic oven or cooker, do not use it during a Pyrolytic cleaning programme as this could trigger the overheating protection device on the Tepan Yaki (see “Safety features” – “Overheating protection”).
- ▶ Miele will guarantee to supply functional spare parts for a minimum of 10 years and up to 15 years following the discontinuation of your CombiSet.

Caring for the environment

Disposal of the packing material

The packaging is designed to protect the appliance from damage during transportation. The packaging materials used are selected from materials which are environmentally friendly for disposal and should be recycled.

Recycling the packaging reduces the use of raw materials in the manufacturing process and also reduces the amount of waste in landfill sites.

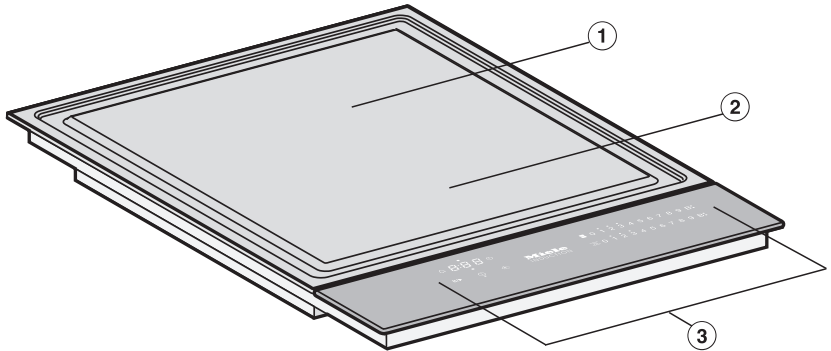
Disposing of your old appliance

Electrical and electronic appliances often contain valuable materials. They also contain specific materials, compounds and components, which were essential for their correct function and safety. These could be hazardous to human health and to the environment if disposed of with your domestic waste or if handled incorrectly. Please do not, therefore, dispose of your old appliance with your household waste.



Please dispose of it at your local community waste collection / recycling centre for electrical and electronic appliances, or contact your dealer or Miele for advice. You are also responsible for deleting any personal data that may be stored on the appliance being disposed of. Please ensure that your old appliance poses no risk to children while being stored prior to disposal.

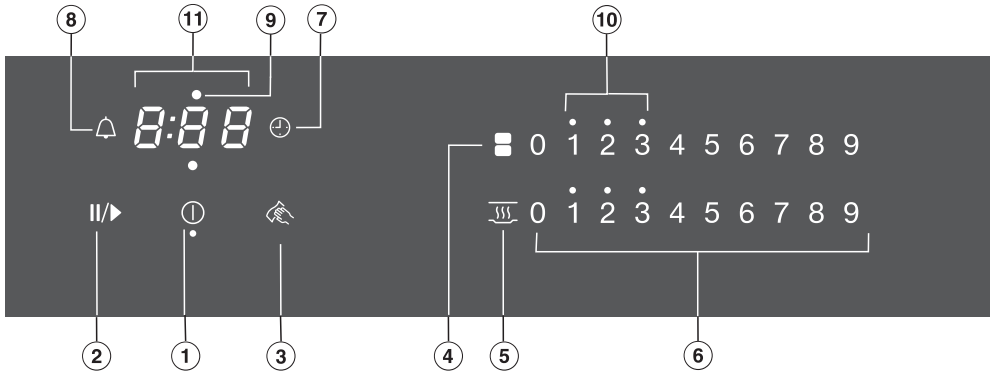
Tepan Yaki



- ① Rear Tepan Yaki zone
- ② Front Tepan Yaki zone
- ③ Controls and indicators

Guide to the appliance

Controls and display



Sensor controls

- ① SmartLine element On/Off
- ② Stop & Go
To stop/start a cooking process in progress
- ③ Wipe protection
To lock the sensor controls
- ④ Heater elements
For manual connection/disconnection of heater elements
- ⑤ Keeping warm
To activate/deactivate the Keeping warm function
- ⑥ Numerical display
 - To set the power level
 - To set the times
- ⑦ Auto switch off
Switches the heater elements off automatically
- ⑧ Minute minder

Displays/indicator lights

- ⑨ Heater element allocation auto switch off
Auto switch off for the heater element is activated
- ⑩ Residual heat
- ⑪ Timer display

0:00 to Time
9:59

LOC System lock/safety lock is activated

dE Demo mode is activated

How it works

The cooking surface of the Tepan Yaki is heated by induction. An induction coil is located under the cooking surface. When the Tepan Yaki is switched on, this coil creates a magnetic field which impacts directly on the cooking surface and heats it up.



Risk of burning due to hot items.

When the Tepan Yaki is switched on either deliberately or by mistake, or when there is residual heat present, there is the risk of any metal items left on the Tepan Yaki heating up.

Do not use the Tepan Yaki as a resting place for anything.

After use, switch the Tepan Yaki off with the ⓘ sensor control.

Before using for the first time

- Please stick the extra data plate for the appliance supplied with this documentation in the space provided in the “After sales service” section of this booklet.
- Remove any protective wrapping and stickers.

Cleaning the SmartLine element for the first time

- Wipe all surfaces with a damp cloth and then dry them.

Switching on the SmartLine element for the first time

The metal components have a protective coating. Smells and possibly some vapours may occur when the SmartLine element is used for the first time. The heating of the induction coils also causes odours in the first few hours of operation. With each subsequent use, the odour is reduced until it disappears completely.

The smell and any vapours given off do not indicate a faulty connection or appliance and they are not hazardous to health.

Please note that the heating-up time for induction hobs is much shorter than on conventional hobs.

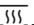
Operation

Using the appliance

This SmartLine element is equipped with electronic sensor controls which react to finger contact. For safety reasons, in order to switch the appliance on, the On/Off ① sensor needs to be touched for a little longer than the other sensors.

Each time you touch a sensor, an audible tone sounds.

Only the printed On/Off ① symbol is visible when the SmartLine element is switched off. The other sensor controls light up when the SmartLine element is switched on.


The Tepan Yaki has two cooking zones which can be switched on and regulated independently of one another. The entire area can be used when cooking food or keeping large quantities of food warm. For smaller quantities, the rear zone can be used for cooking food whilst the front can be used for keeping food warm with the keeping warm function .



Malfunction due to dirty and/or covered sensor controls.

If the sensor controls are dirty or covered this could cause them to fail to react, to activate a function or even to switch the appliance off automatically (see “Safety features”, “Safety switch-off”). Placing hot pans on the sensor controls/indicators can damage the electronic unit underneath.

Keep the sensor controls and indicators clean and do not place anything on top of them. Do not place hot pans on them.

 Risk of fire with overheated food. Unattended food can overheat and catch alight. Do not leave the Tepan Yaki unattended whilst it is being used.

Please note that the heating-up time is very rapid with induction heating.

Switching on the Tepan Yaki

- Touch the ① sensor control.

Further sensor controls will light up. If no further entry is made, the Tepan Yaki will switch itself off after a few seconds for safety reasons.

Setting the power level

- Touch the appropriate sensor control on the respective numerical keybank for the power level you want.


Switching off

- To switch off a Tepan zone, touch the 0 sensor control on the numerical keybank for that zone.
- To switch off the Tepan Yaki and both zones, touch the ① sensor control.

Residual heat indicator

If the SmartLine element is still hot, the residual heat indicator will light up after it has been switched off. Depending on the temperature, a dot will appear above power levels 1, 2 and 3.

The dots of the residual heat indicator go out one after the other as the SmartLine element cools down. The last dot only goes out when the SmartLine element is safe to touch.

 Danger of burning due to hot surfaces.

The surfaces will be hot after cooking.

Do not touch the surfaces while the residual heat indicators are on.

Operation

Setting the power level – extended setting range

9 power levels are programmed at the factory. If you wish to fine-tune a setting, you can extend the power level range to 17 power levels (see “Programming”).

- Touch the numerical keybank in between two number sensors.

The numbers to the left and right of the interim level light up brighter than the other sensor controls.

Example:

if you have set power level 7. the numbers 7 and 8 will be brighter than the other numbers.

Switching the heating elements on together

If you want to use the entire surface with a single setting, the heating elements can be switched on and linked together. The settings are controlled by the front numerical keybank.

- Touch the  sensor control.

Tips on cooking

Wipe the surface of the Tepan Yaki before each use with a damp cloth to remove any dust or other residue.


- Pre-heat the Tepan Yaki thoroughly for 2–3 minutes. To do this, set the power level that you are going to be using for cooking.
- It is important to get the Tepan Yaki sufficiently hot before use, particularly with meat. If it is not hot enough, the meat will lose too much juice.
- Very little fat is required for cooking on the Tepan Yaki and no fat is required for marinated food.
- Use only fats and oils that can withstand high temperatures.
- We recommend that you marinate food before cooking. This will improve the flavour of the food.
- Pat wet food dry with kitchen paper before cooking to prevent it spitting.
- Salt meat only after cooking to prevent it drying out.

Keeping warm

This function is for keeping food warm which has just been cooked and is still hot. It is not for reheating food that has gone cold.

The maximum duration for keeping food warm is 2 hours.

Activating/deactivating the keeping warm function

- Touch the  sensor for the cooking zone you wish to use.

Setting ranges

The hob is programmed with 9 power levels at the factory. If you wish to fine-tune a setting, you can extend the power level range to 17 power levels (see “Programming”).

	Setting range	
	Factory setting (9 power levels)	Extended setting (17 power levels)
Keeping cooked food warm	1–2	1–2.
Gently cooking fruit, e.g. apple slices, peach halves, bananas, etc.	3–4	3–4.
Gently frying vegetables, e.g. leeks, sliced mushrooms, green/red peppers, onion rings, etc.	4–5	4–5.
Cooking fried eggs, fish, meat, sausages, escalopes, vegetables bacon	5–6	5–6.
Cooking meat, fish, fried potatoes, hash browns, potato cakes	6–8	5.–8
Cooking steak, pancakes, marinated meat	8–9	7.–9

These settings should only be taken as a guide. Cooking durations will vary according to the type, texture and thickness of the food being cooked.

The SmartLine element has to be switched on if you wish to use the timer.

The timer can be used for the following 2 functions:

- For setting the minute minder
- For automatically switching off a cooking zone/heater element/Tepan Yaki zone

You can use the functions simultaneously.

A duration of between 1 minute (0:01) and 9 hours 59 minutes (9:59) can be set.

Durations of up to 59 minutes are shown in minutes (0:59) and durations of more than 60 minutes are shown in hours and minutes. Durations are entered in the order of hours, followed by minutes in tens and then units.

Example:

59 minutes = 0:59 hours,

Enter: 5-9

80 minutes = 1:20 hours,

Enter: 1-2-0

After the first number has been entered, the timer display will light up constantly. After the second number has been entered, the first number will move to the left. After the third number has been entered, the first and second numbers will move to the left.

Minute minder


The minute minder is set using the numerical display for the left or front left cooking zone (depending on model).

Setting the minute minder

- Touch the  sensor control.

The timer display flashes.

- Set the required duration.

Touch the  sensor control or wait 10 seconds to start the minute minder.

Changing the minute minder duration

- Touch the  sensor control.

The timer display flashes.

- Set the required duration.

Deleting the minute minder duration

- Touch the  sensor control.

- Touch the  on the numerical display.

Timer

Auto switch off

You can set a time after which a heater element/Tepan Yaki zone will switch off automatically. This function can be used for all cooking zones at the same time.

If the time programmed is longer than the maximum operating time allowed, the heater element/Tepan Yaki zone will be switched off by the safety switch-off function (see “Safety features – Safety switch-off”).

The switch-off time is set on the numerical display for each cooking zone you want to switch off automatically.

Setting the switch-off time

- Select a power level for the desired heater element/Tepan Yaki zone.
- Touch the ⌚ sensor control.

The timer display flashes.

- Set the required duration.

Touch the ⌚ sensor control or wait 10 seconds to start the switch-off time.

The heater element allocation auto switch off indicator light pulsates.

- If you want to set a switch-off time for another heater element/Tepan Yaki zone, follow the same steps as described above.

If more than one switch-off time is programmed, the shortest time left will be displayed, and the corresponding indicator light will pulsate. The other indicator lights will light up constantly.

- If you want to show the times left counting down in the background, touch the ⌚ sensor control of the desired heater element/Tepan Yaki zone.

Changing the switch-off time

- Touch the ⌚ sensor control repeatedly until the indicator light for the required heater element/Tepan Yaki zone pulsates.

The timer display flashes.

- Set the required duration.


Deleting the switch-off time




- Touch the ⌚ sensor control repeatedly until the indicator light for the required heater element/Tepan Yaki zone pulsates.

The timer display flashes.

- Touch the ⏸ sensor control on the numerical display.

Using both timer functions at the same time

If you use both functions simultaneously, the shortest time is always displayed. The  sensor control (minute minder) or the indicator light of the cooking zone with the shortest time pulsates.

- Touch the  or  sensor control if you want to show the times left counting down in the background.
- If a switch-off time is programmed for several heater elements/Tepan Yaki zones, touch the  sensor control repeatedly until the indicator light for the desired heater element/Tepan Yaki zone pulsates.

Additional functions

Stop & Go

The set power level is reduced to 1 when the Stop & Go function is activated.

The power levels and the timer settings cannot be changed, the SmartLine Element can only be switched off. The minute minder and automatic switch-off times continue to run.

If the function is deactivated, the appliance switches back to the power level that was set last.

If the function is not deactivated within 1 hour, the SmartLine element will switch off.

Activating/Deactivating

- Touch the II/▶ sensor control.

Recall

If the SmartLine element is accidentally switched off during use, you can use this function to restore all the settings. The SmartLine element must be switched on again within 10 seconds.

- Switch the SmartLine element on again.

The previously set power levels flash.

- Press one of the flashing power level indicators immediately.

The appliance will continue to operate using the settings selected previously.

Wipe protection


You can lock the SmartLine element sensor controls for 20 seconds in order to remove soiling, for example. The ① sensor control is not locked.

Activating

- Touch the  sensor control.

The time counts down in the timer display.

Deactivating

- Touch the  sensor control until the timer display goes out.

Demonstration mode

This function enables the SmartLine element to be demonstrated in show-rooms without heating up.

Activating/deactivating demonstration mode

- Switch the SmartLine element on.
- Touch the 0 sensor on any of the numerical keybanks.
- Then touch the 0 and 2 sensors at the same time for 6 seconds.

In the timer display, *dE* flashes alternately with *0n* (demonstration mode activated) or *0FF* (demonstration mode deactivated) for a few seconds.

Displaying the SmartLine element data

The model designation and software version of the SmartLine element can be displayed. To do this there must not be any pots or pans on the SmartLine element.

Model designation

- Switch the SmartLine element on.
- Touch the 0 sensor control on any of the numerical keybanks.
- Then touch the 0 and 4 sensor controls at the same time.

The timer display shows 2 numbers flashing alternately:

12 flashes alternately with *34* = CS 1234

Software version

- Switch the SmartLine element on.
- Touch the 0 sensor control on any of the numerical keybanks.
- Then touch the 0 and 3 sensor controls at the same time.

Numbers will appear in the timer display:

2:00 = software version

Safety features

System lock/safety lock

The safety lock function is deactivated if there is a mains outage.

Your SmartLine element is equipped with a system lock and a safety lock to prevent the element from being switched on or any settings being altered by mistake.

The **system lock** is activated when the SmartLine element is switched off. If the system lock is activated, the element cannot be switched on and the timer cannot be used. A set minute minder time continues to count down. The SmartLine element is programmed so that the system lock must be activated manually. It can be programmed to be activated automatically 5 minutes after the SmartLine element has been switched off (see “Programming”).

The **safety lock** is activated when the SmartLine element is switched on. When the safety lock is activated, the element can be operated only under certain conditions:

- Selected power levels cannot be changed.
- A set minute minder time can be modified.
- The SmartLine element can only be switched off.

If an unavailable sensor control is touched whilst the system lock or safety lock is activated *LDC* will appear in the timer display for a few seconds and a tone will sound.

Activating the system lock

- Touch the  sensor for 6 seconds.



The seconds can be seen counting down in the timer display. When this time has elapsed *LDC* will appear in the timer display. The system lock has been activated.

Deactivating the system lock

- Touch the  sensor for 6 seconds.



LDC will appear briefly in the timer display and then the seconds will be seen counting down. The system lock is deactivated once the time has elapsed.

Activating the safety lock

- Touch and hold the  and  sensors at the same time for 6 seconds.

The seconds can be seen counting down in the timer display. When this time has elapsed *LDC* will appear in the timer display. The safety lock is activated.

Deactivating the safety lock

- Touch and hold the  and  sensors at the same time for 6 seconds.

LDC will appear briefly in the timer display and then the seconds will be seen counting down. Once the time has elapsed, the lock function is deactivated.

Safety switch-off

Sensor controls are covered

Your SmartLine element will turn off automatically if one or several of the sensor controls remain covered for longer than 10 seconds, for example, by finger contact, food boiling over or by an object such as an oven glove or tea towel. ① flashes briefly above the \mathcal{L} sensor control and a tone will sound. If you remove the obstruction and/or clean the appliance, \mathcal{L} goes out and the SmartLine element is ready for use again.

Excessive operating time

The safety shut-off is triggered automatically if a heating element is heated for an unusually long period of time. This time depends on the power level selected. If it has been exceeded, the heating element turns off and the residual heat indicator appears. The SmartLine element can now be used again as normal.

The SmartLine element is programmed to safety setting 0 at the factory. If required you can set a higher safety setting with a shorter maximum operating time (see chart).

Power level*	Maximum operating time [h:min]		
	Safety setting		
	0**	1	2
1	10:00	8:00	5:00
1.	10:00	7:00	4:00
2/2.	5:00	4:00	3:00
3/3.	5:00	3:30	2:00
4/4.	4:00	2:00	1:30
5/5.	4:00	1:30	1:00
6/6.	4:00	1:00	0:30
7/7.	4:00	0:42	0:24
8	4:00	0:30	0:20
8.	4:00	0:30	0:18
9	1:00	0:24	0:10

* The power levels with a dot after the number are only available if the power level range has been extended (see "Setting range").

** Factory default setting

Safety features

Overheating protection

All the induction coils and cooling elements for the electronics are fitted with an overheating protection mechanism. Before the induction coils and/or cooling elements get too hot, the overheating protection mechanism cuts in in one of the following ways:

Induction coils

- The set power level is reduced.
- The Tepan Yaki zone switches itself off automatically. *Err* flashes alternately with *44* in the timer display.

You can use the Tepan Yaki zone again as usual when the fault code has gone out.

Cooling elements

- The set power level is reduced.
- The Tepan Yaki zone switches itself off automatically.


The affected Tepan Yaki zone can only be used again as usual once the cooling element has cooled down to a safe level.

The overheating protection may be activated under the following circumstances:

- Fat or oil is being heated on a high power level.
- Insufficient ventilation to the underside of the Tepan Yaki.
- A hot Tepan Yaki zone being switched on after an interruption to the power supply.



If, despite removing the cause, the overheating protection mechanism triggers again, contact Miele Service.

You can adapt the programming of the SmartLine element to your personal needs. Several settings can be altered in succession.

After accessing the programming mode, the  symbol and *PC* will appear in the timer display. After a few seconds *P:01* (programme 01) will flash alternately with *C:01* (code) in the timer display.


Changing the programming

Accessing programming mode


- **With the SmartLine element switched off**, press and hold the  and **II/▶** sensor controls together until the  symbol lights up and *PC* is shown in the timer display.

Setting the programme


For a two-digit programme number you need to first set the tens position.

- Touch the  sensor control repeatedly until the programme number you want appears in the display, or touch the appropriate number on the numerical display.

Setting the code

- Touch the  sensor control repeatedly until the code number you want appears in the display, or touch the appropriate number on the numerical display.

Saving the settings

- While the programme is showing in the display (e.g. *P:01*) touch the  sensor control until the indicators go out.

To avoid saving the settings

- Touch the **II/▶** sensor control until the indicators go out.

Programming

Programme ¹		Code ²	Settings
P:01	Demo mode	C:00	Demo mode off
		C:01	Demo mode on ³
P:03	Factory default setting	C:00	Do not restore factory default settings
		C:01	Restore factory default settings
P:04	Number of cooking zone power levels	C:00	9 power levels + Booster
		C:01	17 power levels + Booster ⁴
P:06	Audible tone when a sensor control is touched	C:00	Off ⁵
		C:01	Quiet
		C:02	Medium
		C:03	Loud
P:07	Timer buzzer	C:00	Off
		C:01	Quiet
		C:02	Medium
		C:03	Loud
P:08	System lock	C:00	System lock can only be activated manually
		C:01	System lock activated automatically
P:09	Maximum operating time	C:00	Safety setting 0
		C:01	Safety setting 1
		C:02	Safety setting 2

Programme ¹		Code ²	Settings
P:12	Sensor controls reaction speed	C:00	Slow
		C:01	Normal
		C:02	Fast

¹ Unlisted programmes are not assigned.


² The factory-set code is shown in bold.

³ After the hob has been switched on *dE* appears in the timer display for a few seconds.

⁴ In the text and charts, the extended power levels are shown with a dot after the number for better understanding.

⁵ The audible tone for the On/Off sensor control cannot be switched off.


Cleaning and care

 Danger of burning due to hot surfaces.

The surfaces will be hot after cooking.

Switch the Tepan Yaki off.

Allow the surfaces to cool down before cleaning the Tepan Yaki.

 Risk of damage due to moisture ingress.

The steam from a steam cleaning appliance could reach live electrical components and cause a short circuit.

Do not use a steam cleaner to clean the Tepan Yaki.

All surfaces could be discoloured or damaged if unsuitable cleaning agents are used. All surfaces are susceptible to scratching.

Remove all cleaning agent residues immediately.

Never use abrasive sponges or cleaning agents.

Allow the SmartLine element to cool down before cleaning.

- Clean the SmartLine element and accessories after each use.
- Dry the SmartLine element thoroughly after every cleaning to avoid limescale residue.

Unsuitable cleaning agents

To avoid damaging the surfaces of the appliance, do not use:

- cleaning agents containing soda, ammonia, acids or chlorides
- cleaning agents containing descaling agents
- stain and rust removers
- abrasive cleaning agents, e.g. powder cleaners and cream cleaners
- solvent-based cleaning agents
- dishwasher cleaner
- oven sprays
- glass cleaning agents
- hard, abrasive brushes or sponges, (e.g. pot scourers, or sponges which have been previously used with abrasive cleaning agents)
- melamine eraser blocks

Cleaning the control panel

- Remove any coarse soiling with a damp cloth and more stubborn soiling with a scraper suitable for use on glass.
- Then clean the control panel with the Miele ceramic and stainless steel cleaner (see “Optional accessories”) or with a proprietary ceramic glass cleaner applied with kitchen paper or a clean cloth.
- Finally wipe the control panel with a damp cloth, and then dry it.

Cleaning the cooking surface

- Remove coarse soiling immediately using a spatula.
- Allow the cooking surface to cool down until it can be touched by hand, and then use a solution of hot water and washing-up liquid to soften the soiling. Clean the cooking surface with the rough side of a dish sponge and a few drops of Miele ceramic and stainless steel cleaner (see “Optional accessories”). Wipe off the cooking surface with clean water and dry it with a clean cloth.

Always use clean water to wipe the appliance. This is to ensure that every trace of cleaning agent has been removed. Any remaining traces could affect food the next time you use the appliance.

Stainless steel care products must not be used on the cooking surface.

Problem solving guide

Many malfunctions and faults that can occur in daily operation can be easily remedied. Time and money will be saved because a service call will not be needed.

The following guide may help you to find the reason for a malfunction or a fault, and to correct it.

Messages in the display

Problem	Cause and remedy
After the SmartLine element has been switched on or a sensor control has been touched, <i>LDC</i> appears in the timer display for a few seconds.	The system lock or safety lock is activated. ■ Deactivate the system lock or safety lock (see “System lock / Safety lock”).
After the SmartLine element has been switched on <i>dE</i> appears in the timer display for a short while. The SmartLine element does not heat up.	The SmartLine element is in demonstration mode. ■ Touch the 0 and 2 sensor controls at the same time until <i>dE</i> flashes alternately with <i>OFF</i> in the timer display.
The SmartLine element has switched off automatically. When the element is switched back on, <i>L</i> appears above the On/Off sensor control ①.	One or more of the sensor controls are covered, e.g. by finger contact, food boiling over or an object. ■ Clean off any dirt and/or remove the object (see “Safety features” – “Safety switch-off”).
<i>Err</i> flashes alternately with <i>30</i> in the timer display and a tone will sound.	The SmartLine element is connected incorrectly. ■ Disconnect the SmartLine element from the mains. ■ Contact Miele Service.
<i>Err</i> will flash alternately with <i>044</i> in the timer display.	The overheating protection mechanism has been activated. ■ See “Safety features – Overheating protection”.

Problem solving guide

Problem	Cause and remedy
<i>Err</i> will flash alternately with 047, 048 or 049 in the timer display.	The fan is blocked or defective. <ul style="list-style-type: none">■ Make sure it has not been blocked by an object.■ Remove the obstruction.■ If this fault message continues to appear in the display, contact the Customer Service Department.
A message not listed in this table is appearing in the timer display.	There is an electronic module fault. <ul style="list-style-type: none">■ Interrupt the power supply to the SmartLine element for approx. 1 minute.■ If the problem persists after power has been restored, please contact the Customer Service Department.

Problem solving guide

Unexpected behaviour

Problem	Cause and remedy
The sensor controls show increased sensitivity or fail to react.	<p>The sensitivity level of the sensor controls has changed.</p> <ul style="list-style-type: none">■ Make sure that there is no direct light (from the sun or from an artificial source) falling onto the SmartLine element. The area surrounding the SmartLine element must not be too dark.■ Take any pans off the SmartLine element and wipe away any food deposits. Ensure that there is nothing covering the entire SmartLine element unit or sensor controls.■ Interrupt the power supply to the SmartLine element for approx. 1 minute.■ If the problem persists after power has been restored, please contact Miele Service.
The Tepan Yaki or one of its zones switches itself off automatically.	<p>It has been operated for too long.</p> <ul style="list-style-type: none">■ Switch the Tepan Yaki or zone back on again (see “Safety features” – “Safety switch off”).
	<p>The overheating protection mechanism has been activated.</p> <ul style="list-style-type: none">■ See “Overheating protection” in the “Safety features” chapter.

General problems or technical faults

Problem	Cause and remedy
The SmartLine element cannot be switched on.	<p>There is no power to the SmartLine element.</p> <ul style="list-style-type: none">■ Check whether the mains fuse has tripped. Contact an electrician or Miele Service (for the minimum fuse rating, see data plate).
	<p>There may be a technical fault.</p> <ul style="list-style-type: none">■ Disconnect the SmartLine element from the mains electricity supply for approx. 1 minute by<ul style="list-style-type: none">– tripping the relevant mains fuse or screwing the fuse out completely, or– switching off the residual current protection device.■ If, after resetting the trip switch in the mains fuse box or the residual current protection device, the SmartLine element will still not switch on, contact a qualified electrician or Miele Service.
An operating noise can be heard after the SmartLine element has been switched off.	<p>The cooling fan runs until the SmartLine element has cooled down and then switches off automatically.</p>

Optional accessories

Miele offer a comprehensive range of useful accessories as well as cleaning and conditioning products for your Miele appliances.

These products can be ordered through the Miele Webshop.

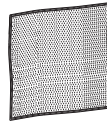
They can also be ordered from Miele (see end of this booklet for contact details) or from your Miele dealer.

Ceramic and stainless steel hob cleaner 250 ml



Removes heavy soiling, limescale deposits and aluminium residues

Microfibre cloth



Removes finger marks and light soiling

Contact in the event of a fault

In the event of any faults which you cannot remedy yourself, please contact your Miele dealer or the Miele Customer Service Department.

You can book a Miele Customer Service Department call-out online at www.miele.com/service.

Contact information for the Miele Customer Service Department can be found at the end of this document.

Please quote the model identifier and serial number of your appliance (Fabr./SN/ Nr.) when contacting the Miele Customer Service Department. This information can be found on the data plate.

Please note that telephone calls may be monitored and recorded for training purposes and that a call-out charge will be applied to service visits where the problem could have been resolved as described in this booklet.

Data plate

Stick the extra data plate supplied with the appliance here. Make sure that the model number matches the one specified on the back cover of this document.



Warranty

For information on the appliance warranty specific to your country please contact Miele. See back cover for address.

In the UK, your appliance warranty is valid for 2 years from the date of purchase. However, you must activate your cover by calling 0330 160 6640 or registering online at www.miele.co.uk.

Installation

Safety instructions for installation



Damage risk from incorrect installation.

Incorrect installation can cause damage to the SmartLine element.

The SmartLine element must only be installed by a qualified person.



Risk of electric shock!

Incorrect connection to the mains supply may result in an electric shock.

The SmartLine element must be connected to the electrical supply by a qualified person only.



Damage from falling objects.

Take care not to damage the SmartLine element when fitting wall units or a cooker hood above it.

Fit the wall units and the cooker hood before the SmartLine element.

- ▶ The veneer or laminate coatings of worktops (or adjacent kitchen units) must be treated with 100 °C heat-resistant adhesive which will not dissolve or distort. Any backmoulds must be of heat-resistant material.
- ▶ The SmartLine element must not be installed over a fridge, fridge-freezer, freezer, dishwasher, washing machine, washer-dryer or tumble dryer.
- ▶ This SmartLine element must not be installed above ovens or cookers unless these have a built-in cooling down fan.
- ▶ When installing the SmartLine element, make sure that the mains connection cable cannot come into contact with hot appliance parts.
- ▶ Observe carefully the safety clearances listed on the following pages.

Safety distances

Safety distance above the SmartLine element



The safety distance specified by the manufacturer of the cooker hood must be maintained between the SmartLine element and the cooker hood above it.

If combustible objects are installed above the SmartLine element (e.g. cabinets, utensil rail, etc.), a minimum safety distance of 500 mm must be maintained.

When two or more SmartLine elements which have different safety distances are installed together below a cooker hood, you should observe the greatest specified safety distance.

Installation

Safety distances to the sides and back of the appliance

The SmartLine element should preferably be installed with plenty of space on the right and left.

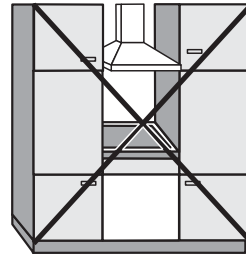
The minimum distance ① specified below must be observed between the rear of the SmartLine element and a tall unit or room wall.

The minimum distance ②, ③ specified below must be adhered to between one side of the SmartLine element (right or left) and a tall unit or room wall. A minimum distance of 300 mm must be observed on the opposite side.

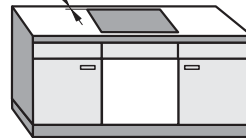
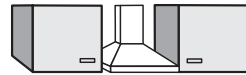
① Minimum distance between the **back** of the worktop cut-out and the rear edge of the worktop: 50 mm

② Minimum distance on the **right** side between the worktop cut-out and the closest adjacent piece of furniture (e.g. tall unit) or a room wall: 50 mm.

③ Minimum distance on the **left** side between the worktop cut-out and the closest adjacent piece of furniture (e.g. tall unit) or a room wall: 50 mm.



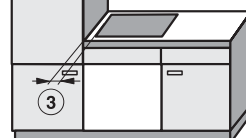
Not allowed



Highly recommended



Not recommended



Not recommended

Minimum safety distance underneath the SmartLine element

To ensure proper ventilation of the SmartLine element, a minimum safety distance is required between the element and an oven, interim shelf or drawer.

The minimum safety distance from the lower edge of the SmartLine element to

- Upper edge of oven: 15 mm
- Upper edge of interim shelf: 15 mm
- Upper edge of drawer: 5 mm
- Base of drawer: 75 mm

Intermediate shelf

It is not necessary to fit an interim shelf underneath the SmartLine element but one may be fitted if you wish.

Leave a gap of 10 mm at the back of the shelf to accommodate the mains connection cable. We recommend a gap at the front of the SmartLine element of 20 mm to ensure good ventilation.

Installation

Safety distance when installing the appliance near a wall with additional niche cladding

If a niche cladding is installed, a minimum safety distance must be maintained between the worktop cut-out and the cladding, since high temperatures can damage these materials.

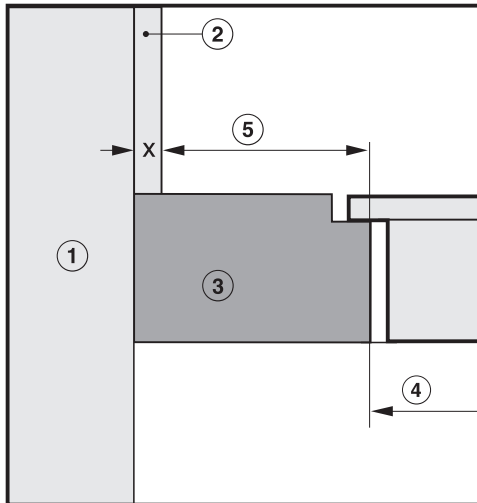
If the niche cladding is made from a combustible material (e.g. wood) a minimum safety distance ⑤ of 50 mm must be maintained between the worktop cut-out and the cladding.

If the niche cladding is made from a non-combustible material (e.g. metal, natural stone, ceramic tiles) the minimum safety distance ⑤ between the worktop cut-out and the cladding will be 50 mm less the thickness of the cladding.

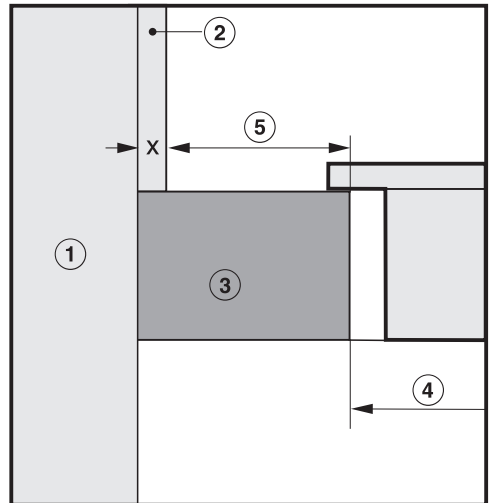
Example: 15 mm niche cladding

50 mm - 15 mm = minimum safety distance of 35 mm

Flush-fit installation



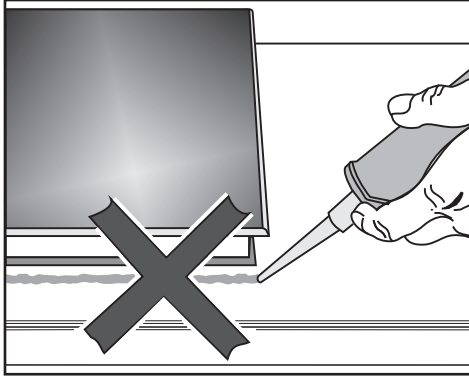
Onset installation



- ① Masonry
- ② Niche cladding dimension x = thickness of the niche cladding material
- ③ Worktop
- ④ Worktop cut-out
- ⑤ Minimum distance to
combustible materials 50 mm
non-combustible materials 50 mm - dimension x

Installation notes – surface-mounted

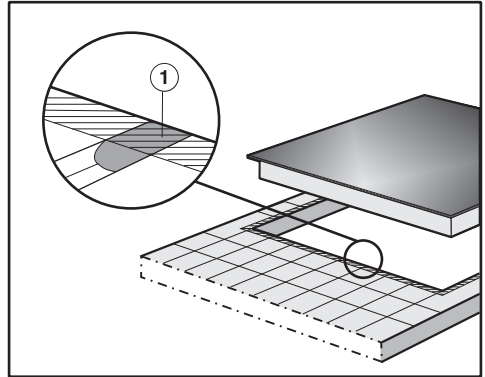
Sealing between the SmartLine Element and the worktop



The SmartLine element and worktop may be damaged if the element needs to be removed after it has been sealed with a sealant.

Do not use any sealant between the SmartLine element and the worktop. The seal under the edge of the top part of the appliance provides a sufficient seal for the worktop.

Tiled worktop



Grout lines ① and the hatched area underneath the SmartLine element frame must be smooth and even. If they are not, the SmartLine element will not sit flush with the worktop and the sealing strip underneath the top part of the appliance will not provide a good seal between the appliance and the worktop.

Sealing strip

Dismantling the SmartLine element for service purposes may damage the sealing strip underneath the edge of the SmartLine element.

Always replace the sealing strip before reinstalling the SmartLine element.

Installation

Installing several SmartLine elements

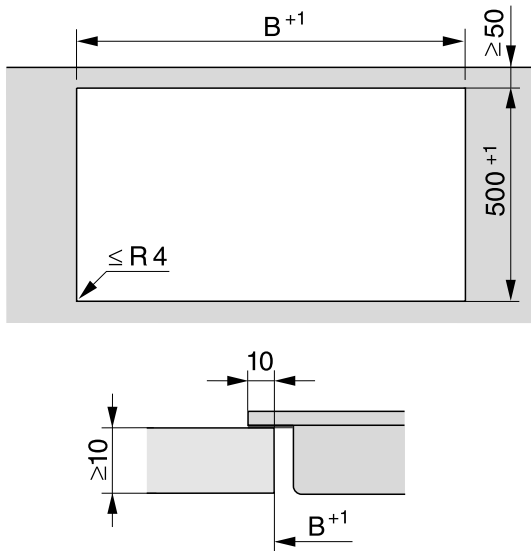
The gaps between the individual SmartLine elements are sealed with a silicone sealant that is heat-resistant to at least 160 °C. With flush-fit installation, the gap between the SmartLine element(s) and the worktop must also be sealed with a silicone sealant that is heat-resistant to at least 160 °C.

After installation, the SmartLine elements must be easily accessible from below, so that the bottom half of the casing can be removed for maintenance. If the SmartLine elements are not accessible from below, the sealant must be removed so that they can be removed.

Combination with a downdraft extractor

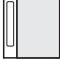






If the SmartLine element is installed in combination with a downdraft extractor, the latter must be installed first.

Worktop cutout – surface-mounted











Installation

Installation with a countertop extractor

Combination examples	Number x width [mm]		Dimension B [mm]
	Cooking elements	Countertop extractor	
	1 x 378	1 x 120	481
	2 x 378	1 x 120	862
	1 x 378 1 x 620	2 x 120	1226
	3 x 378	2 x 120	1365
	2 x 378 1 x 620	2 x 120	1607
	4 x 378	2 x 120	1746
	1 x 620	2 x 120	845

Installation without a countertop extractor

Combination examples	Number x width [mm] Cooking elements	Dimension B [mm]
	1 x 378	359
	2 x 378	740
	1 x 378 1 x 620	982
	3 x 378	1121
	2 x 378 1 x 620	1363
	4 x 378	1502
	2 x 378 1 x 800	1554
	2 x 378 1 x 936	1680

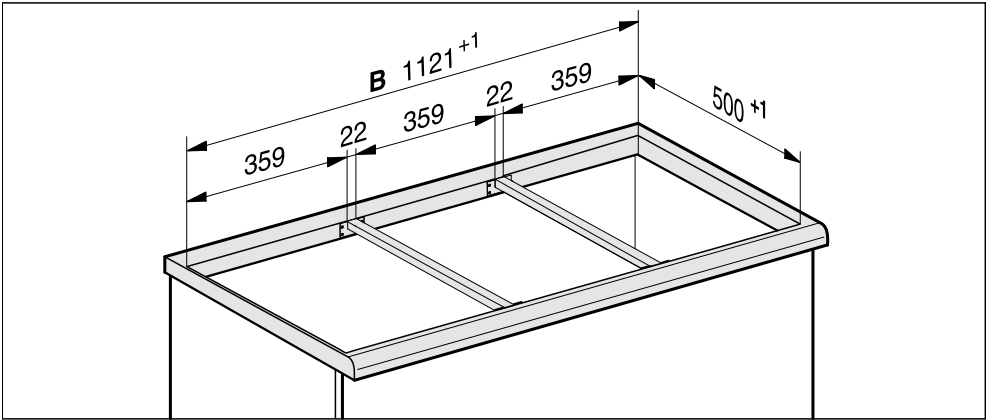
Installation

Spacer bars – surface-mounted

If you are installing several appliances, you must fit spacer bars between them.

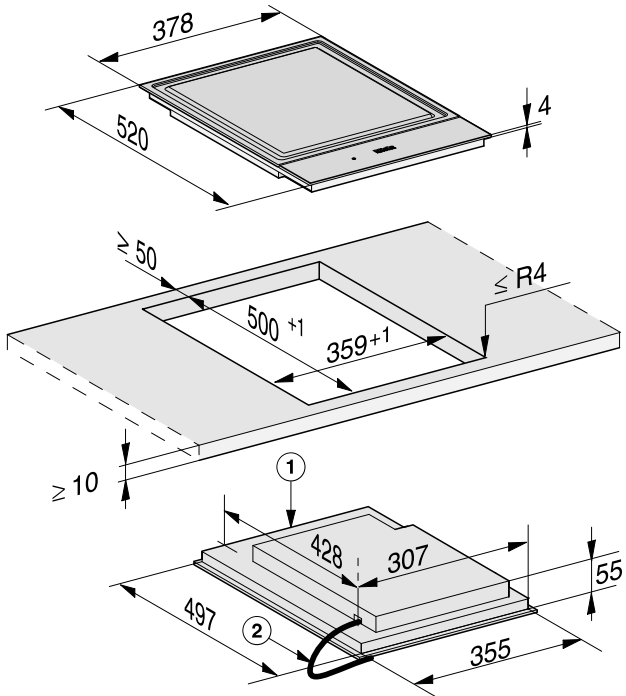
The clips supplied with the spacer bars are only required for installing a CSDA 700x FL.

Installing 3 elements and 2 spacer bars



Installation dimensions – Surface-mounted

All dimensions are given in mm.



① Front

② Mains connection cable, L = 2000 mm

Installation

Installation – surface-mounted

Preparing the worktop

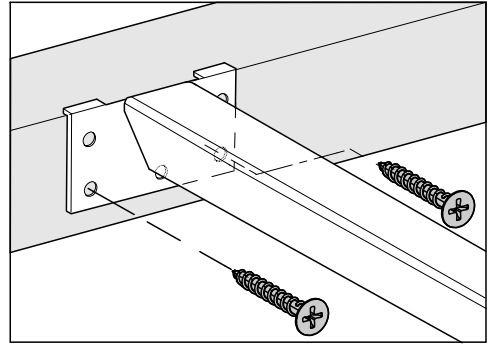
- Create the worktop cutout. Remember to maintain the minimum safety distances (see “Installation – Safety distances”).
- Seal any cut surfaces on **wooden worktops** with a special varnish, silicone sealant or resin to prevent the wood from swelling as a result of moisture ingress. The sealant must be heat-resistant.

Make sure that the sealant does not come into contact with the top of the worktop.

Fitting the spacer bars

Use the middle screw holes if one of the following SmartLine elements is installed to the right or left of the spacer bar: CS 7611, CS 7641, CS 7101(-1), CS 7102(-1)

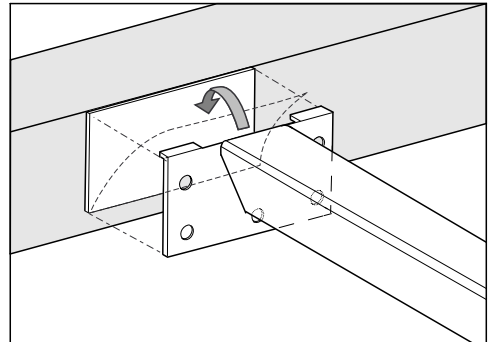
Wooden worktops



- Position the spacer bars flush onto the upper edge of the cutout.
- Secure the spacer bars with the 3.5 x 25 mm wood screws supplied.

Natural stone worktops

You will need heavy-duty double-sided tape (not supplied) to secure the spacer bars.



- Stick the tape along the top edge of the worktop cutout.
- Position the spacer bars flush onto the upper edge of the cutout.
- Press the spacer bars firmly into place.

Installing the SmartLine element

- Stick the supplied sealing strip under the edge of the SmartLine element. Do not apply the sealing strip under tension.
- Feed the mains connection cable down through the worktop cutout.
- Position the SmartLine element in the worktop cutout. Ensure that:
 - The seal of the appliance sits flush with the worktop on all sides to ensure an effective seal all round.
 - All gap widths are uniform.
- If the seal does not meet the worktop correctly on the corners, carefully scribe the corner radii ($\leq R4$) with a jigsaw.

Do not use any additional sealant (e.g. silicone) on the SmartLine element.

- Connect the SmartLine element to the mains electricity supply.
- If required, connect the SmartLine element to the gas supply (see “Installation – Gas connection”).
- Check that the SmartLine element works.
- Seal the gaps between the individual elements with a silicone sealant that is heat-resistant to at least 160 °C.

Unsuitable sealant can damage natural stone.

For natural stone worktops and natural stone tiles, only use silicone sealant that is specially formulated for natural stone. Follow the manufacturer's instructions.

Installation

Installation notes – flush-fit

Flush-fit installation is only possible in natural stone (granite, marble), solid wood and tiled worktops. For installation in worktops made of other materials, please consult the relevant manufacturer as to whether their worktops are suitable for flush-fit installation.

The internal width of the base unit underneath the appliance must be at least as wide as the inner worktop cutout (see “Installation – Building-in dimensions – flush-fit”), so that the SmartLine element is easily accessible from underneath after installation and the bottom half of the casing can be removed for maintenance. If the element is not freely accessible from below after installation, the sealant must be removed so that the element can be removed.

Natural stone worktops

The SmartLine element is set directly in the cutout.

Solid wood worktops, tiled worktops, glass worktops

The SmartLine element is set on a wooden frame inside the cutout. The frame must be provided on site, and is not supplied with the appliance.

Sealing strip

Dismantling the SmartLine element for service purposes may damage the sealing strip underneath the edge of the SmartLine element.

Always replace the sealing strip before reinstalling the SmartLine element.

Installing several SmartLine elements

The gaps between the individual SmartLine elements are sealed with a silicone sealant that is heat-resistant to at least 160 °C. With flush-fit installation, the gap between the SmartLine element(s) and the worktop must also be sealed with a silicone sealant that is heat-resistant to at least 160 °C.

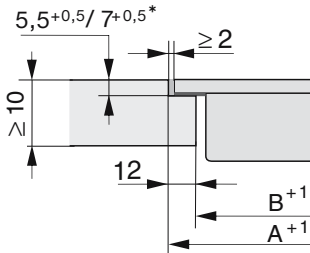
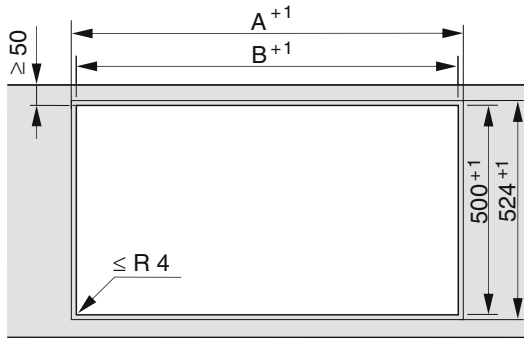
After installation, the SmartLine elements must be easily accessible from below, so that the bottom half of the casing can be removed for maintenance. If the SmartLine elements are not accessible from below, the sealant must be removed so that they can be removed.

Combination with a downdraft extractor

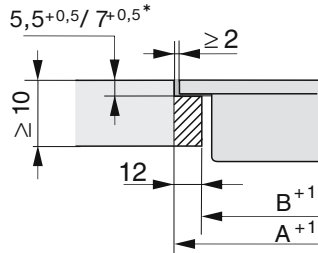
If the SmartLine element is installed in combination with a downdraft extractor, the latter must be installed first.

Installation

Worktop cutout – flush-fit



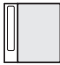
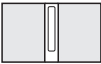





Natural stone worktop



Wooden worktop








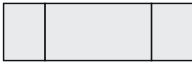
* $7^{+0,5}$ mm with CS 7611 FL

Installation with a countertop extractor

Combination examples	Number x width [mm]		Dimension A [mm]	Dimension B [mm]
	Cooking elements	Countertop extractor		
	1 x 378	1 x 120	505	481
	2 x 378	1 x 120	886	862
	1 x 378 1 x 620	2 x 120	1250	1226
	3 x 378	2 x 120	1389	1365
	2 x 378 1 x 620	2 x 120	1631	1607
	4 x 378	2 x 120	1770	1746
	1 x 620	2 x 120	869	845

Installation

Installation without a countertop extractor

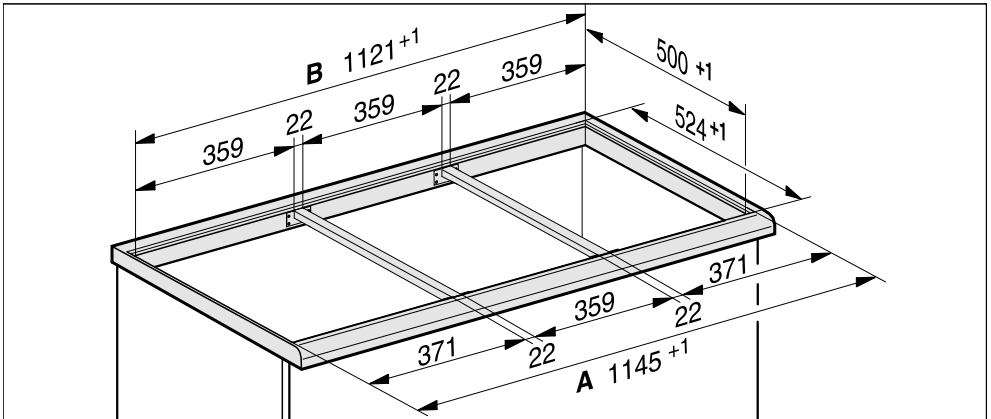
Combination ex- amples	Number x width [mm] Cooking elements	Dimension A [mm]	Dimension B [mm]
	1 x 378	383	359
	2 x 378	764	740
	1 x 378 1 x 620	1006	982
	3 x 378	1145	1121
	2 x 378 1 x 620	1387	1363
	4 x 378	1526	1502
	2 x 378 1 x 800	1567	1543
	2 x 378 1 x 936	1703	1679

Spacer bars – flush-fit

If you are installing several appliances, you must fit spacer bars between them.

The clips supplied with the spacer bars are only required for installing a CSDA 700x FL.

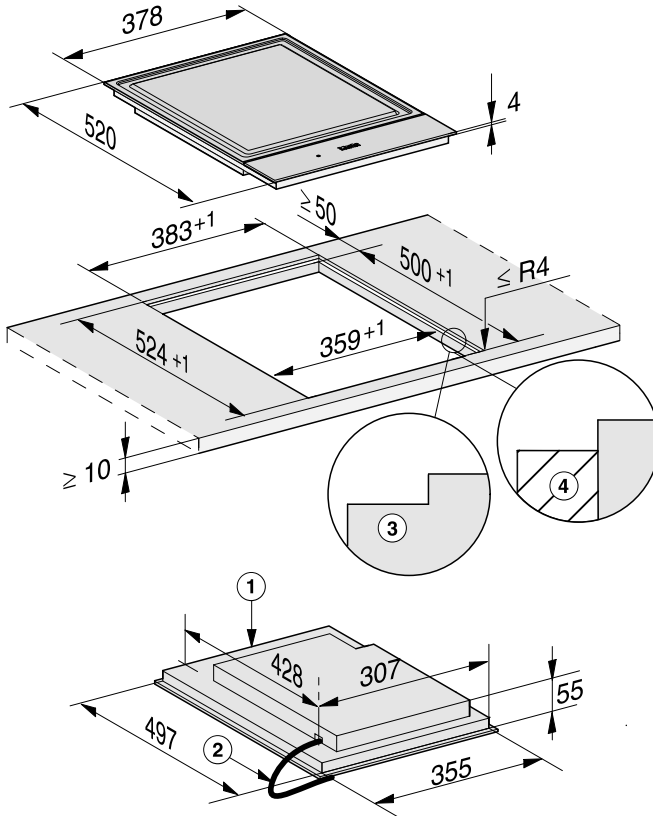
Installing 3 elements and 2 spacer bars



Installation

Installation dimensions – Flush-fit

All dimensions are given in mm.



- ① Front
- ② Mains connection cable, L = 2000 mm
- ③ Stepped cutout (for detailed illustrations, see “Installation – Worktop cutout – flush-fit”)
- ④ 12 mm wooden frame (not supplied, for detailed illustrations, see “Installation – Worktop cutout – flush-fit”)

Installation – flush-fit

Preparing the worktop

- Create the worktop cutout. Remember to maintain the minimum safety distances (see “Installation – Safety distances”).
- Seal any cut surfaces on **wooden worktops** with a special varnish, silicone sealant or resin to prevent the wood from swelling as a result of moisture ingress. The sealant must be heat-resistant.

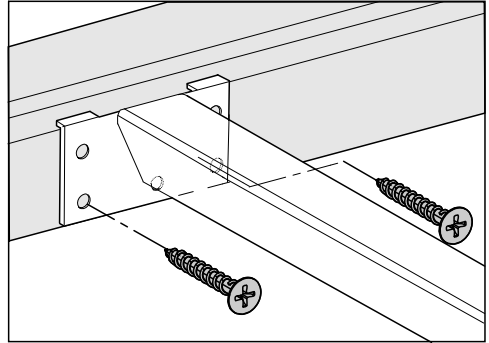
Make sure that the sealant does not come into contact with the top of the worktop.

- For wooden worktops, secure the wooden frame 5.5 mm below the upper edge of the worktop. For CS 7611 FL, the wooden frame must be secured 7 mm under the upper edge of the worktop.

Fitting the spacer bars

Use the middle screw holes if one of the following SmartLine elements is installed to the right or left of the spacer bar: CS 7611, CS 7641, CS 7101(-1), CS 7102(-1)

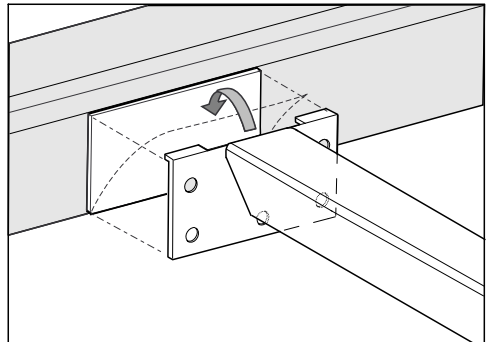
Wooden worktops



- Position the spacer bars flush onto the lower step of the stepped cutout.
- Secure the spacer bars with the 3.5 x 25 mm wood screws supplied.

Natural stone worktops

You will need heavy-duty double-sided tape (not supplied) to secure the spacer bars.



- Stick the tape onto the lower step of the stepped cutout.
- Position the spacer bars flush onto the lower step of the stepped cutout.
- Press the spacer bars firmly into place.

Installation


Installing the SmartLine element

- Stick the supplied sealing strip under the edge of the SmartLine element. Do not apply the sealing strip under tension.
- Feed the mains connection cable down through the worktop cutout.
- Position the SmartLine element in the worktop cutout. Ensure that:
 - The seal of the appliance sits flush with the worktop on all sides to ensure an effective seal all round.
 - All gap widths are uniform.
- Connect the SmartLine element to the mains electricity supply.
- If required, connect the SmartLine element to the gas supply (see “Installation – Gas connection”).
- Check that the SmartLine element works.
- Seal the gaps between the individual elements and between the elements and the worktop with a silicone sealant that is heat-resistant to at least 160 °C.

Unsuitable sealant can damage natural stone.

For natural stone worktops and natural stone tiles, only use silicone sealant that is specially formulated for natural stone. Follow the manufacturer’s instructions.

Electrical connection

 Risk of damage from incorrect connection.

Unauthorised installation, maintenance and repairs can cause considerable danger for the user.

Miele cannot be held liable for damage or injury caused by unauthorised installation, maintenance or repair work, or by an inadequate or faulty on-site earthing system (e.g. electric shock).

This SmartLine element must be connected to the electrical supply by a qualified electrician.

The electrician must be familiar with and comply with the national regulations and any additional regulations of the local electricity provider (e.g. BS 7671 in the UK).

After installation, ensure that all electrical components are shielded and cannot be accessed by users.

Total power rating

See data plate

Connection data

The connection data is quoted on the data plate. Please ensure these match the household mains supply.

Residual current device

For extra safety, it is advisable to protect the SmartLine element with a suitable residual current device (RCD) with a trip range of 30 mA.

Disconnecting devices

It must be possible to disconnect the SmartLine element from the mains at all poles using disconnecting devices! A contact distance of at least 3 mm must be observed in the switched-off state! The disconnecting devices are overcurrent protection devices and residual current protection devices.

Installation

Disconnecting from the mains



Risk of electric shock.

There is a risk of electric shock if the appliance is connected to the mains supply during repair or service work. After disconnection, ensure the appliance cannot be switched back on by mistake.

To disconnect the appliance from the mains power supply, do one of the following depending on installation:

Safety fuses

- Completely remove fuses.

Automatic circuit breakers

- Press the (red) test button until the middle (black) button springs out.

Built-in circuit breakers

- Circuit breakers at least type B or C:
Switch the lever from 1 (on) to 0 (off).

Residual current device (RCD)

- Switch the main switch from 1 (on) to 0 (off) or press the test button.

Replacing the mains connection cable



Risk of electric shock.

Incorrect connection to the power supply may result in an electric shock.

The mains cable must only be replaced by a qualified electrician.

When replacing the mains cable only use cable type H 05 VV-F with a suitable cross section. A suitable connection cable is available to order from Miele.

United Kingdom

Miele Co. Ltd., Fairacres, Marcham Road, Abingdon, Oxon, OX14 1TW

Tel: 0330 160 6600, Internet: www.miele.co.uk/service, E-mail: info@miele.co.uk

Australia

Miele Australia Pty. Ltd.
ACN 005 635 398
ABN 96 005 635 398
1 Gilbert Park Drive
Knoxfield, VIC 3180
Tel: 1300 464 353
Internet: www.miele.com.au

China Mainland

Miele Electrical Appliances Co., Ltd.
1-3 Floor, No. 82 Shi Men Yi Road
Jing' an District
200040 Shanghai, PRC
Tel: +86 21 6157 3500
Fax: +86 21 6157 3511
E-mail: info@miele.cn
Internet: www.miele.cn

Hong Kong, China

Miele (Hong Kong) Ltd.
41/F - 4101, Manhattan Place
23 Wang Tai Road
Kowloon Bay, Hong Kong
Tel: (852) 2610 1025
Fax: (852) 3579 1404
Email:
customerservices@miele.com.hk
Website: www.miele.hk

India

Miele India Pvt. Ltd.
1st Floor, Copia Corporate Suites,
Commercial Plot 9,
Mathura Road, Jasola,
New Delhi - 110025
E-mail: customercare@miele.in
Website: www.miele.in

Ireland

Miele Ireland Ltd.
2024 Bianconi Avenue
Citywest Business Campus
Dublin 24
Tel: (01) 461 07 10
Fax: (01) 461 07 97
E-Mail: info@miele.ie
Internet: www.miele.ie

Malaysia

Miele Sdn Bhd
Suite 12-2, Level 12
Menara Sapura Kencana
Petroleum
Solaris Dutamas No. 1
Jalan Dutamas 1
50480 Kuala Lumpur, Malaysia
Phone: +603-6209-0288
Fax: +603-6205-3768

New Zealand

Miele New Zealand Limited
IRD 98 463 631
8 College Hill
Freemans Bay, Auckland 1011
New Zealand
Tel: 0800 464 353
Internet: www.miele.co.nz

Singapore

Miele Pte. Ltd.
29 Media Circle
#11-04 ALICE@Mediapolis
Singapore 138565
sTel: +65 6735 1191
Fax: +65 6735 1161
E-Mail: info@miele.com.sg
Internet: www.miele.sg

South Africa

Miele (Pty) Ltd.
63 Peter Place
Bryanston 2194
P.O. Box 69434
Bryanston 2021
Tel: (011) 875 9000
Fax: (011) 875 9035
E-mail: info@miele.co.za
Internet: www.miele.co.za

Thailand

Miele Appliances Ltd.
BHIRAJ TOWER at EmQuartier
43rd Floor Unit 4301-4303
689 Sukhumvit Road
North Klongton Sub-District
Vadhana District
Bangkok 10110, Thailand

United Arab Emirates

Miele Appliances Ltd.
Showroom 1
Eiffel 1 Building
Sheikh Zayed Road, Umm Al Sheif
P.O. Box 114782 - Dubai
Tel. +971 4 3044 999
Fax. +971 4 3418 852
800-MIELE (64353)
E-Mail: info@miele.ae
Website: www.miele.ae

Manufacturer: Miele & Cie. KG, Carl-Miele-Straße 29, 33332 Gütersloh, Germany

CS 7632

en-GB

M.-Nr. 10 803 081 / 03